

Customer Information Sheet

IF IN DOUBT - ASK

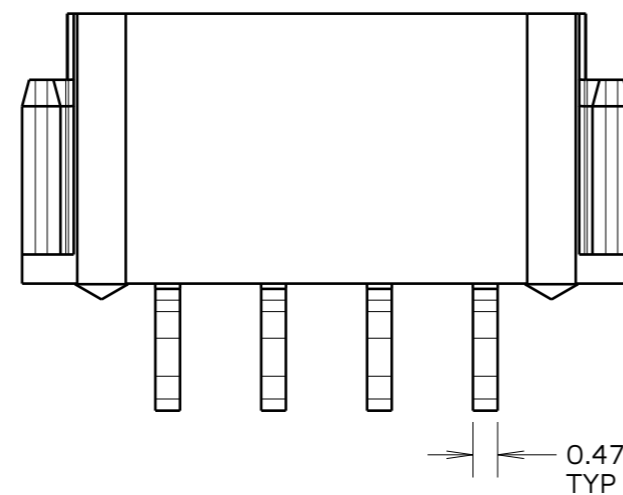
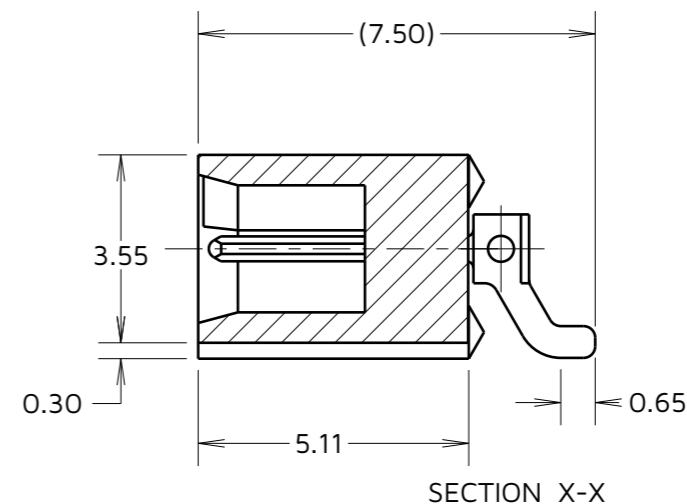
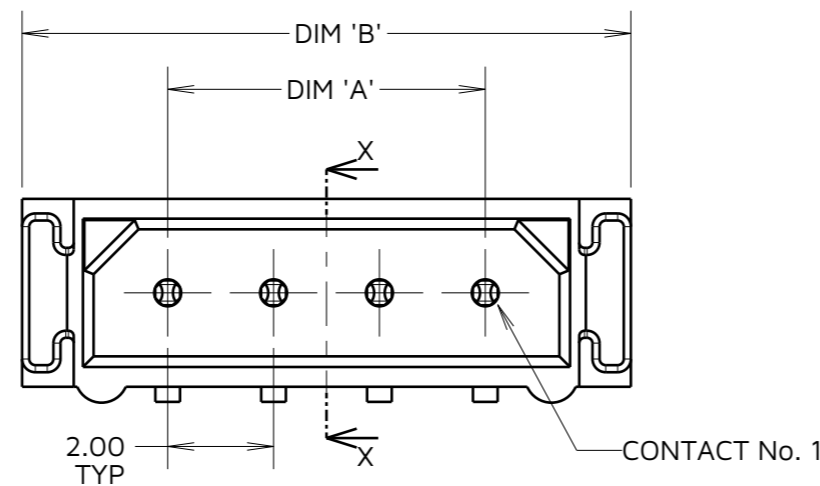
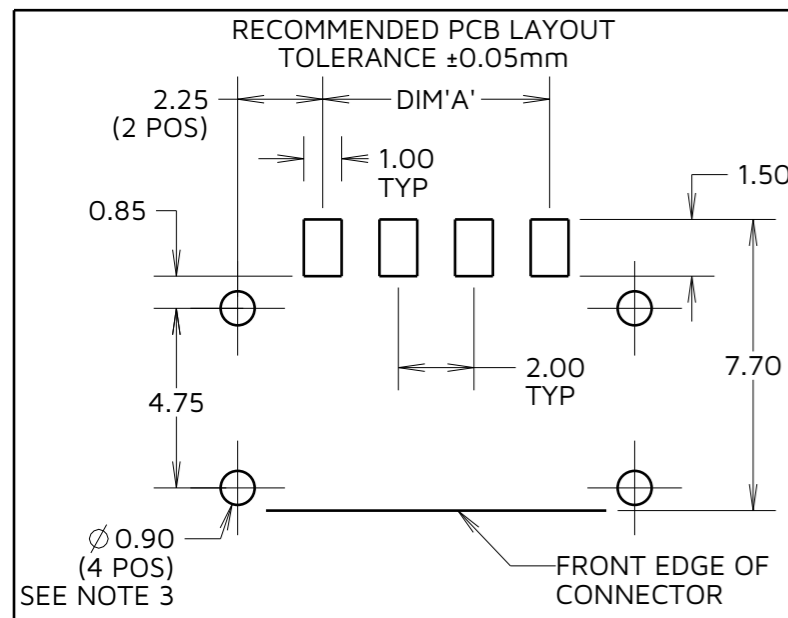
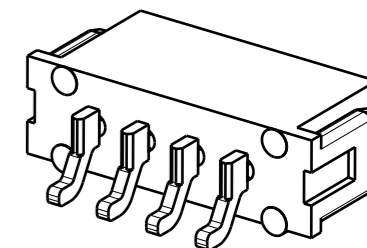
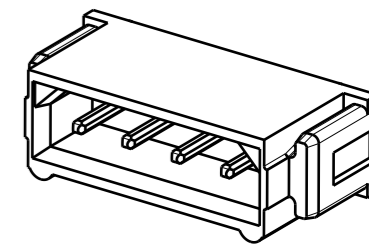
©

NOT TO SCALE

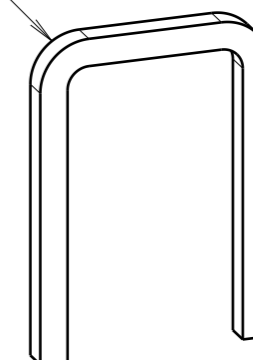
THIRD ANGLE PROJECTION

ALL DIMENSIONS IN mm

SPECIFICATIONS:
 MATERIAL:
 HOUSING = GLASS-FILLED PPS, UL94V-0, BLACK
 CONTACT = COPPER ALLOY
 FINISH:
 CONTACT:
 SEE ORDER CODE
 FOR COMPLETE SPECIFICATION, SEE COMPONENT SPECIFICATION C005XX (LATEST ISSUE)



M80-0030006



PART No.	DIM 'A'	DIM 'B'
M80-83702XX	2.00	7.50
M80-83703XX	4.00	9.50
M80-83704XX	6.00	11.50
M80-83705XX	8.00	13.50
M80-83706XX	10.00	15.50
M80-83707XX	12.00	17.50
M80-83717XX	32.00	37.50
M80-83722XX	42.00	47.50

ORDER CODE:
M80-837XXXX

TOTAL No. OF CONTACTS
 02 TO 07, 17, 22

FINISH
 22 - GOLD, TIN/LEAD
 42 - GOLD, 100% TIN
 45 - GOLD

JD	7	21.02.25	35754
NAME	ISS.	DATE	CN/CO
APPROVED: J.DEAN			
CHECKED: A.YEOMANS			
DRAWN: S.FLOWER			

- 2 OFF STRAIN RELIEF STRAPS (PART No. M80-0030006) SUPPLIED WITH EACH CONNECTOR
- M80-83604XX SHOWN FOR ILLUSTRATION PURPOSES ONLY
- STRAIN RELIEF STRAP HOLES

HARWIN

www.harwin.com

TOLERANCES
 X. = $\pm 1\text{mm}$
 X.X = $\pm 0.50\text{mm}$
 X.XX = $\pm 0.20\text{mm}$
 X.XXX = $\pm 0.01\text{mm}$
 ANGLES = $\pm 5^\circ$
 UNLESS STATED

THIS DRAWING AND ANY INFORMATION OR DESCRIPTIVE MATTER SET OUT HEREON ARE CONFIDENTIAL AND COPYRIGHT PROPERTY OF THE HARWIN GROUP AND MUST NOT BE DISCLOSED, LOANED, COPIED OR USED FOR MANUFACTURING, TENDERING OR FOR ANY OTHER PURPOSE WITHOUT THEIR WRITTEN PERMISSION.

MATERIAL & FINISH:
 SEE ABOVE

TITLE: **DATAMATE L-TEK MALE SIL HORIZONTAL SMT ASSEMBLY (UNLATCHED)**

DRAWING NUMBER:
M80-837XXXX

SHT
 2 OF 2