

Customer Information Sheet

IF IN DOUBT - ASK

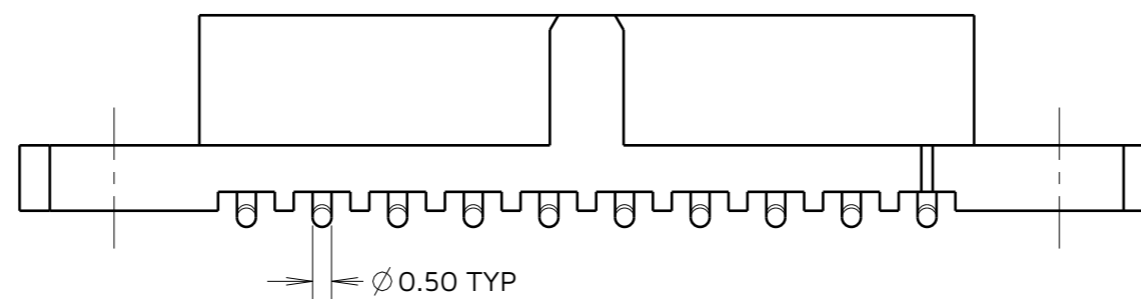
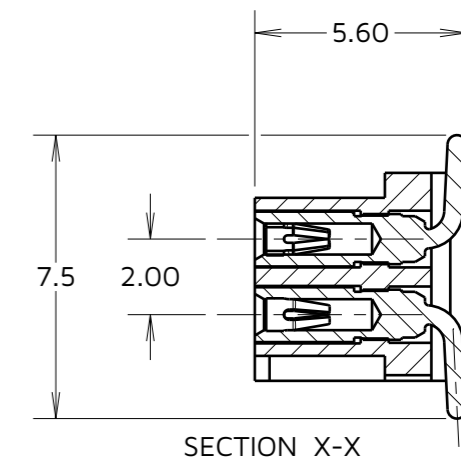
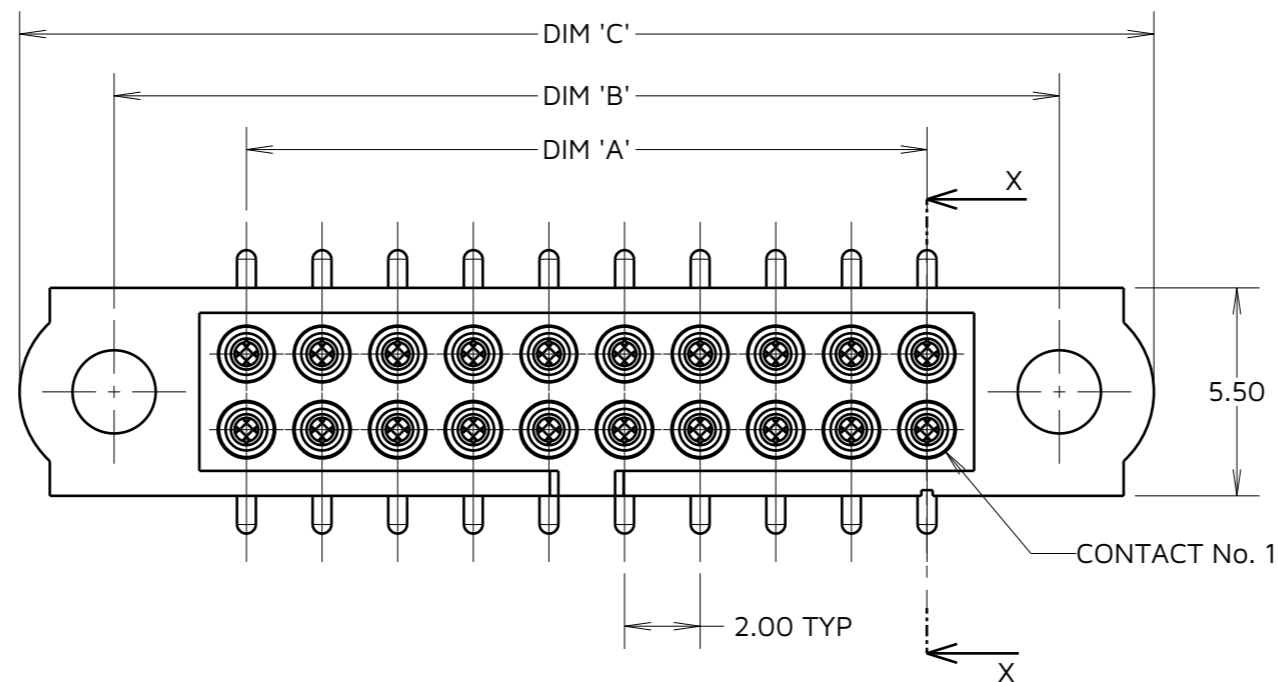
©

NOT TO SCALE

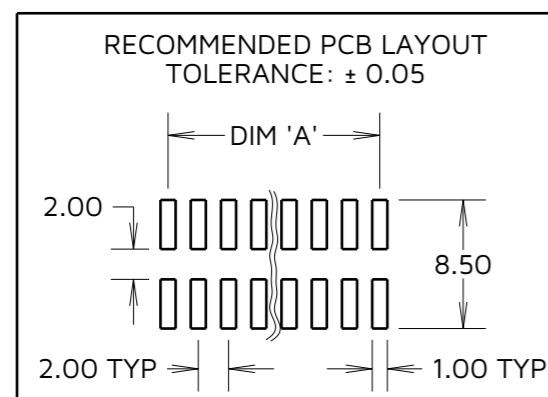
THIRD ANGLE PROJECTION

ALL DIMENSIONS IN mm

SPECIFICATIONS:
MATERIAL:
 HOUSING = GLASS-FILLED PPS, UL94V-0, BLACK
 CONTACT CLIP = BERYLLIUM COPPER
 CONTACT SHELL = BRASS
FINISH:
 01 = GOLD CLIP, TIN/LEAD SHELL
 05 = GOLD CLIP, GOLD SHELL
 42 = GOLD CLIP, 100% TIN SHELL
PACKING:
 TUBE
 FOR COMPLETE SPECIFICATION, SEE
 COMPONENT SPEC C005XX (LATEST ISSUE)



PART No.	WEIGHT (g)
M80-41204XX	0.42
M80-41206XX	0.56
M80-41208XX	0.70
M80-41210XX	0.84
M80-41212XX	0.98
M80-41214XX	1.13
M80-41216XX	1.27
M80-41218XX	1.41
M80-41220XX	1.55
M80-41222XX	1.69
M80-41224XX	1.83
M80-41226XX	1.98
M80-41228XX	2.12
M80-41230XX	2.26
M80-41232XX	2.40
M80-41234XX	2.54
M80-41236XX	2.69
M80-41238XX	2.83
M80-41240XX	2.97
M80-41242XX	3.11
M80-41244XX	3.25
M80-41246XX	3.39
M80-41248XX	3.54
M80-41250XX	3.68



DIMENSION	CALCULATION
DIM 'A'	TOTAL No. OF CONTACTS - 2.00
DIM 'B'	TOTAL No. OF CONTACTS + 5.00
DIM 'C'	TOTAL No. OF CONTACTS + 10.0

EXAMPLE: CONNECTOR WITH 20 CONTACTS, GOLD CLIP AND 100% TIN SHELL, M80-4122042

DIM 'A' = 18.00mm, DIM 'B' = 25.00mm, DIM 'C' = 30.00mm

ORDER CODE: **M80-412XXXX**

TOTAL No. OF CONTACTS _____
 04 TO 50
 (EVEN NUMBERS ONLY)

FINISH _____
 01 - GOLD CLIP, TIN/LEAD SHELL
 05 - GOLD CLIP, GOLD SHELL
 42 - GOLD CLIP, 100% TIN SHELL

MJ	2	06.12.24	35293
NAME	ISS.	DATE	CN/CO
APPROVED:		M. JELLEY	
CHECKED:		R. ALEXANDER	
DRAWN:		B.M.KENT	

NOTES:
 1. PART SHOWN IS M80-4122005, ONLY FOR ILLUSTRATION PURPOSES
 (SEE ORDER CODE FOR DIFFERENT VARIANTS)

HARWIN
 www.harwin.com

TOLERANCES
 X. = ±1mm
 X.X = ±0.50mm
 X.XX = ±0.20mm
 X.XXX = ±0.01mm
 ANGLES = ±5°
 UNLESS STATED

THIS DRAWING AND ANY INFORMATION OR DESCRIPTIVE MATTER SET OUT HEREON ARE CONFIDENTIAL AND COPYRIGHT PROPERTY OF THE HARWIN GROUP AND MUST NOT BE DISCLOSED, LOANED, COPIED OR USED FOR MANUFACTURING, TENDERING OR FOR ANY OTHER PURPOSE WITHOUT THEIR WRITTEN PERMISSION.

MATERIAL & FINISH:
 SEE ABOVE

TITLE: DATAMATE SMT FEMALE VERTICAL CONNECTOR ASSEMBLY
DRAWING NUMBER: M80-412XXXX
 SHT 2 OF 2