

Customer Information Sheet

IF IN DOUBT - ASK

©

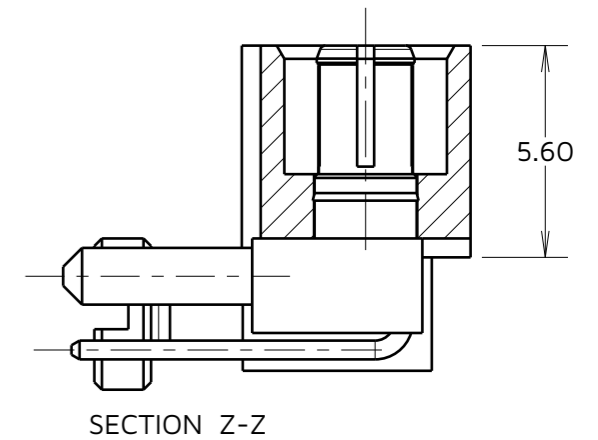
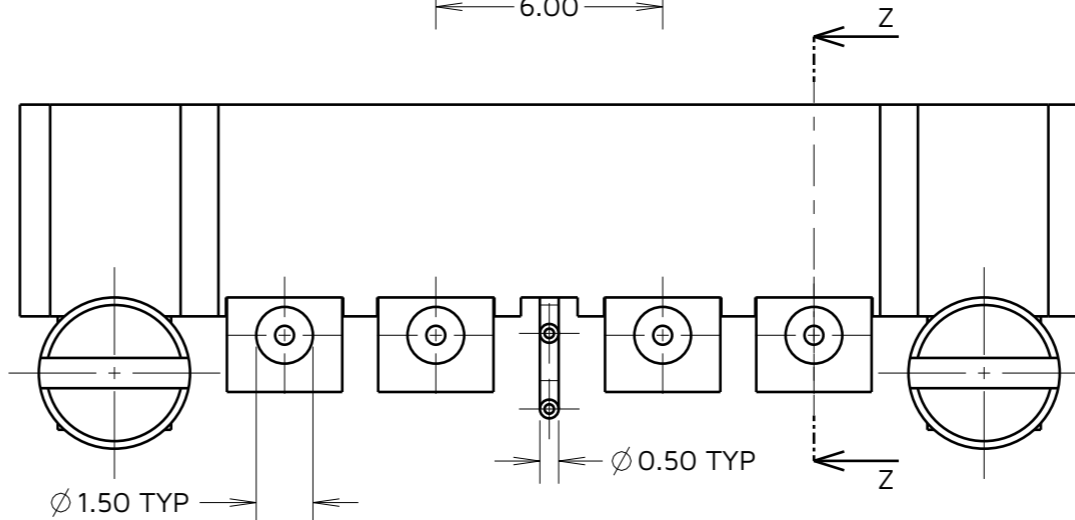
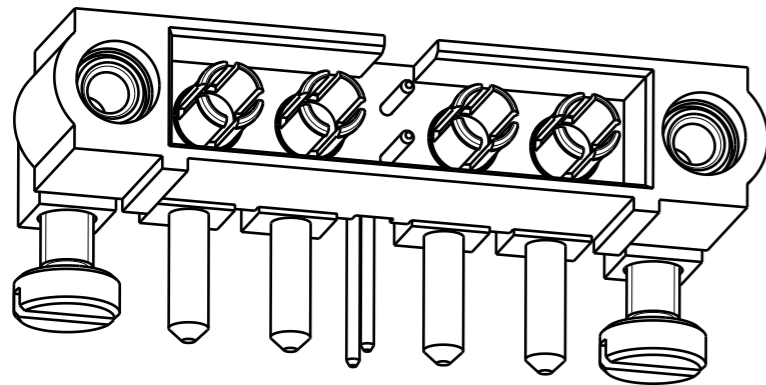
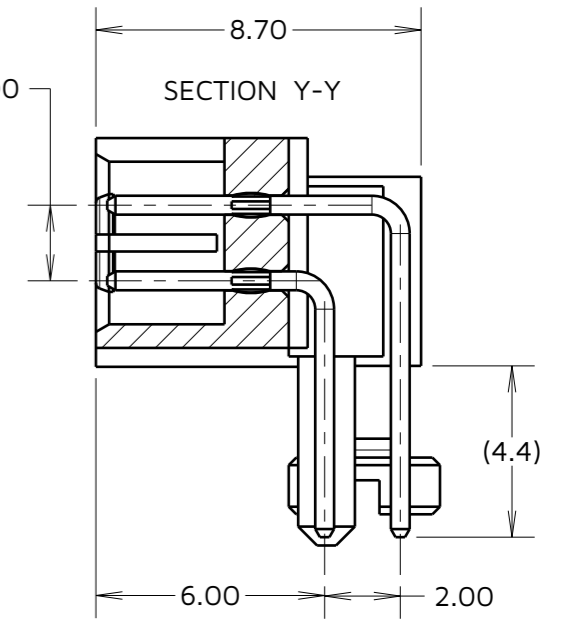
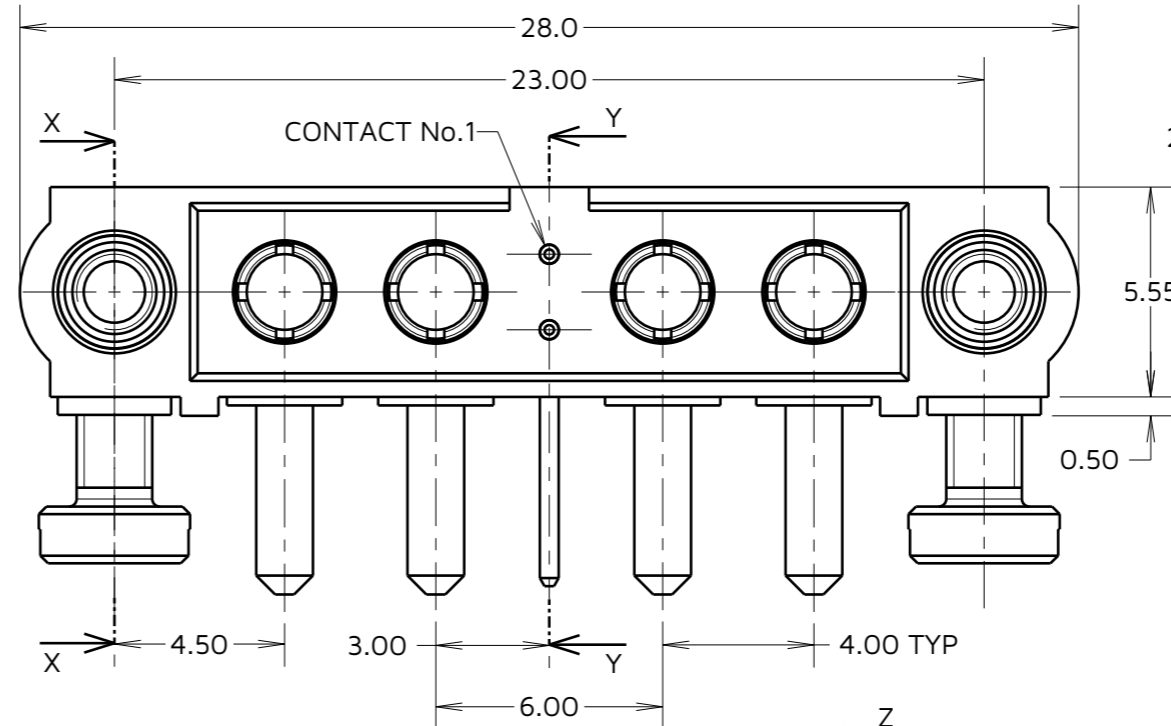
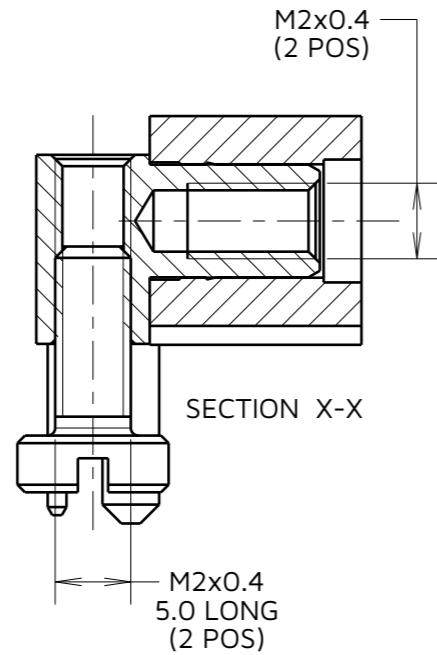
NOT TO SCALE

THIRD ANGLE PROJECTION

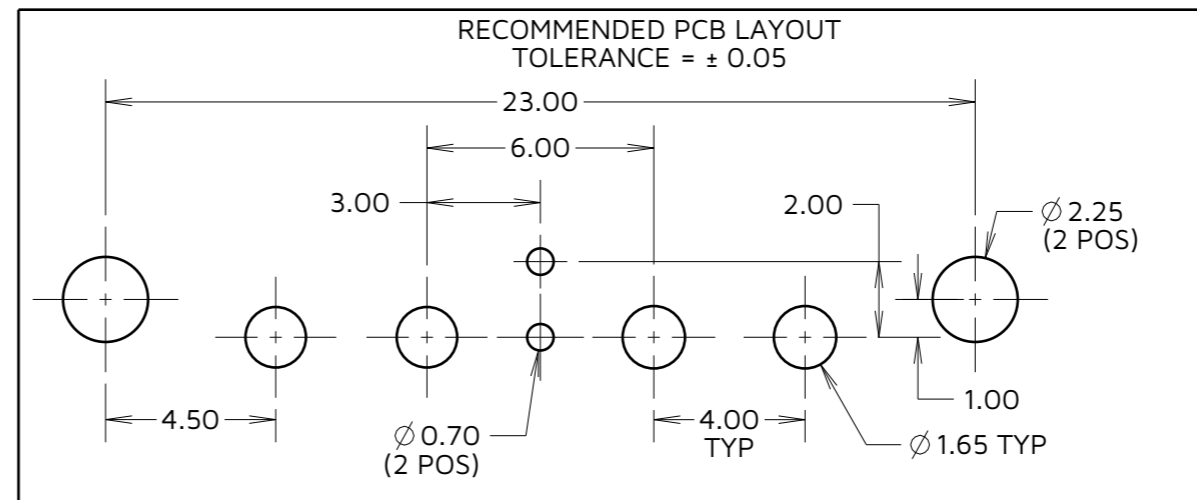
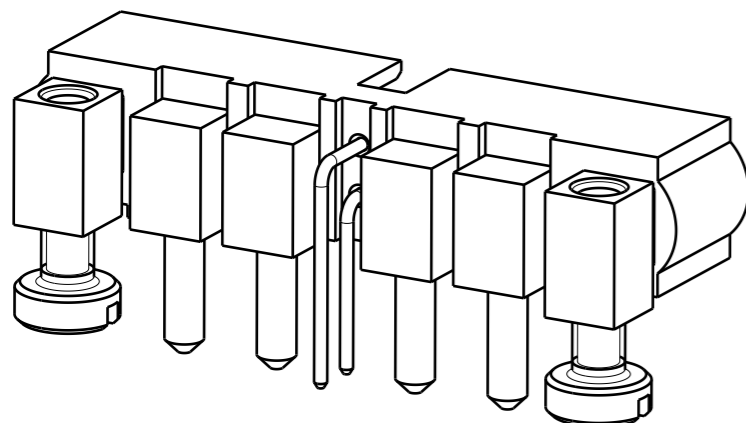
ALL DIMENSIONS IN mm

SPECIFICATIONS:

MATERIAL:
 HOUSING: GLASS FILLED PPS, UL94V-0, BLACK
 SIGNAL CONTACT: PHOSPHOR BRONZE
 POWER CONTACT: COPPER ALLOY
 BOARD-MOUNT JACKSCREW, SCREW: STAINLESS STEEL
 FINISH:
 SIGNAL CONTACT:
 GOLD ON CONTACT AREA,
 90/10 TIN/LEAD ON TAILS
 POWER CONTACT: GOLD
 PACKING:
 TUBE
 FOR COMPLETE SPECIFICATION SEE COMPONENT
 SPECIFICATION C005XX (LATEST ISSUE)



COMPLETE ASSEMBLY SHOWN
 FOR ILLUSTRATION ONLY



MJ	3	27.11.24	34803
NAME	ISS.	DATE	CN/CO
APPROVED: M. JELLEY			
CHECKED: R. ALEXANDER			
DRAWN: M. G. PLESTED			

NOTE
 1. SCREWS ARE SUPPLIED LOOSE IN A BAG, NOT ASSEMBLED AS SHOWN

HARWIN

www.harwin.com

TOLERANCES
 X. = ±1mm
 X.X = ±0.50mm
 X.XX = ±0.20mm
 X.XXX = ±0.01mm
 ANGLES = ±5°
 UNLESS STATED

THIS DRAWING AND ANY
 INFORMATION OR DESCRIPTIVE
 MATTER SET OUT HEREON ARE
 CONFIDENTIAL AND COPYRIGHT
 PROPERTY OF THE HARWIN GROUP
 AND MUST NOT BE DISCLOSED,
 LOANED, COPIED OR USED FOR
 MANUFACTURING, TENDERING OR FOR
 ANY OTHER PURPOSE WITHOUT THEIR
 WRITTEN PERMISSION.

MATERIAL & FINISH:
 SEE ABOVE

TITLE: JACKSCREW DATAMATE
 MIXED TECHNOLOGY HORZ PC TAIL
 MALE ASSEMBLY (BOARD MOUNT)

DRAWING NUMBER:
 M80-5L20222M5-02-334-02-334

SHT
 2 OF 2