

# Customer Information Sheet

IF IN DOUBT - ASK

©

NOT TO SCALE

THIRD ANGLE PROJECTION

ALL DIMENSIONS IN mm

ORDER CODE:

G125-MHXXX05L3R

3.2mm PC-TAILS = H1  
4.7mm PC-TAILS = H2

TOTAL No. OF CONTACTS  
06, 10, 12, 16, 20,  
26, 34, 50.

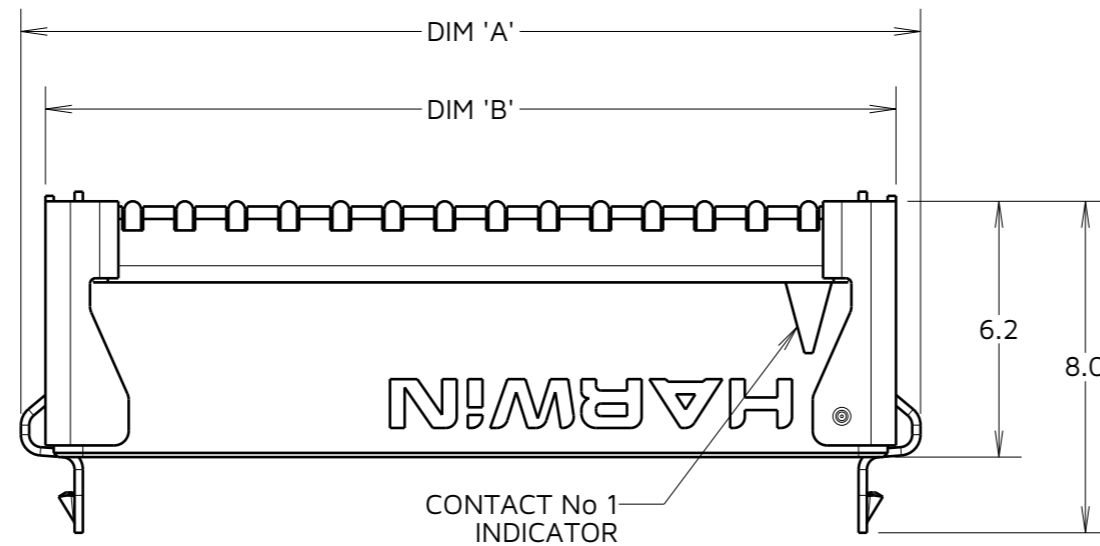
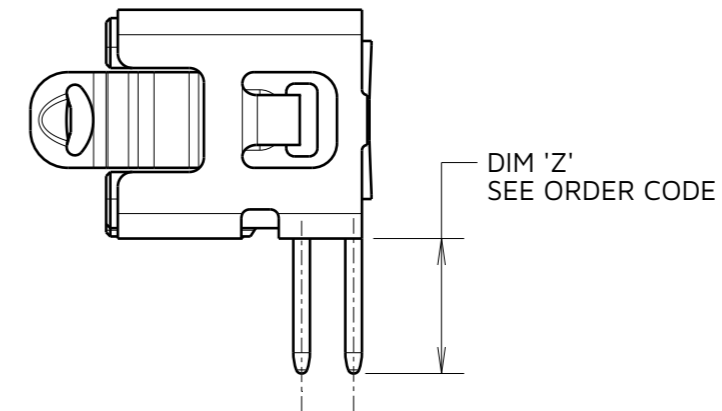
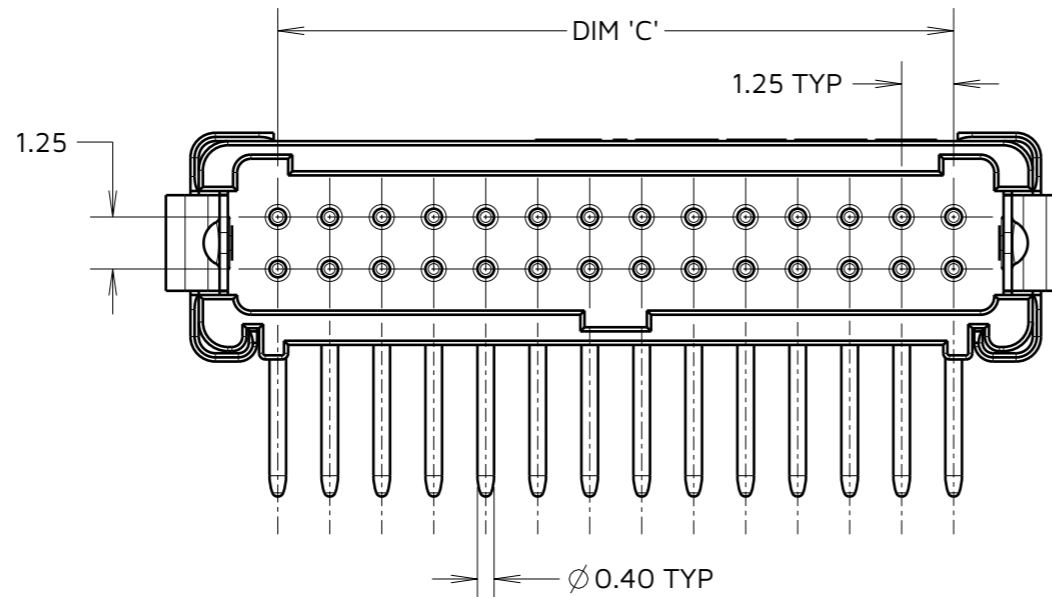
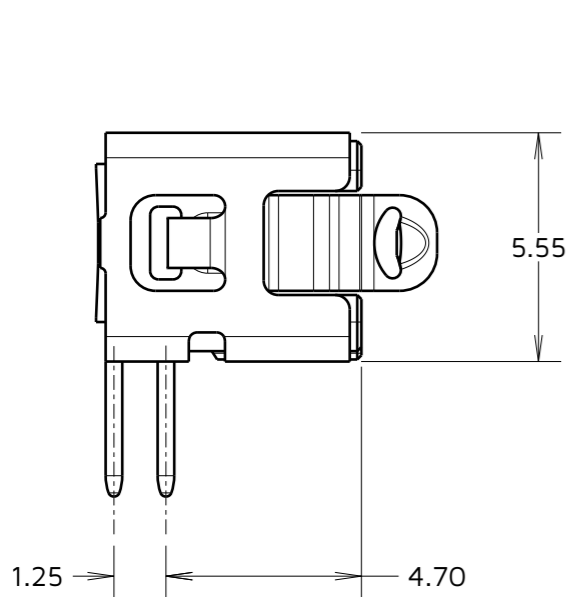
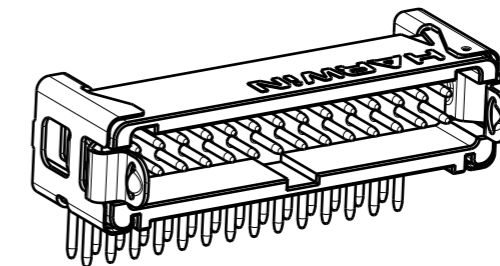
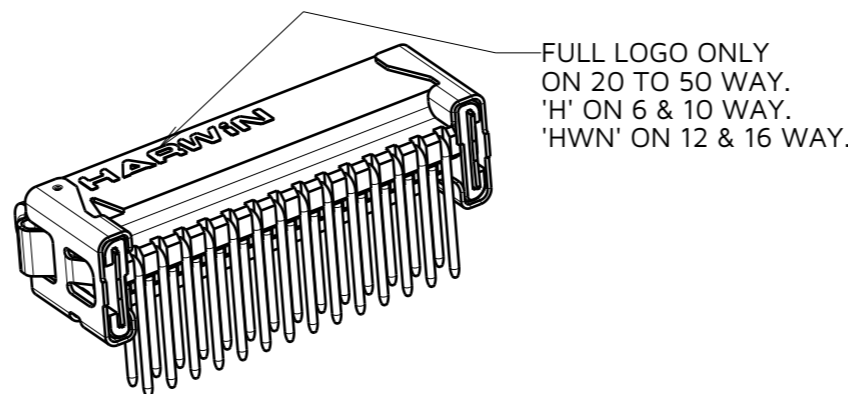
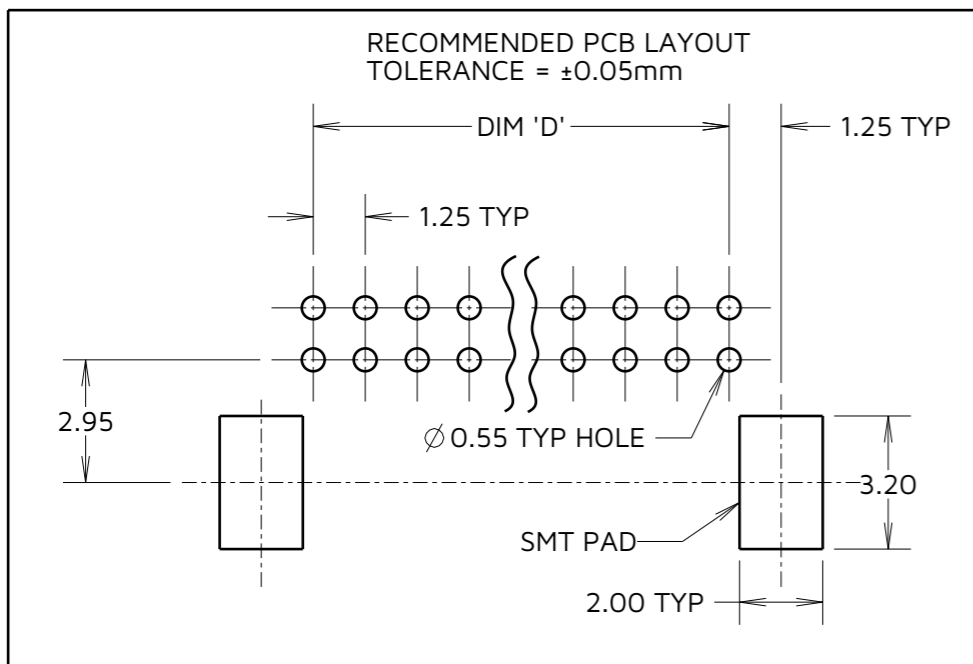


TABLE 1: DIMENSION VARIANTS				
PART No.	DIM 'A'	DIM 'B'	DIM 'C'	DIM 'D'
G125-MHX0605L3R-00	8.05	6.80	2.50	2.50
G125-MHX1005L3R-00	10.55	9.30	5.00	5.00
G125-MHX1205L3R-00	11.80	10.55	6.25	6.25
G125-MHX1605L3R-00	14.30	13.05	8.75	8.75
G125-MHX2005L3R-00	16.80	15.55	11.25	11.25
G125-MHX2605L3R-00	20.55	19.30	15.00	15.00
G125-MHX3405L3R-00	25.55	24.30	20.00	20.00
G125-MHX5005L3R-00	35.55	34.30	30.00	30.00



CONNECTOR DETAILS  
AND PCB LAYOUT ONLY.  
SEE SHEET 6 FOR  
TAPE AND REEL DETAILS.



MJ	6	17.10.24	34985
NAME	ISS.	DATE	CN/CO
APPROVED:		M. JELLEY	
CHECKED:		A. BOXALL	
DRAWN:		MARK G PLESTED	

NOTES:  
1. FOR COMPLETE SPECIFICATION, SEE COMPONENT SPECIFICATION C125XX (LATEST ISSUE)

**HARWIN**

www.harwin.com

TOLERANCES  
X. = ±1mm  
X.X = ±0.50mm  
X.XX = ±0.20mm  
X.XXX = ±0.01mm  
ANGLES = ±5°  
UNLESS STATED

THIS DRAWING AND ANY INFORMATION OR DESCRIPTIVE MATTER SET OUT HEREON ARE CONFIDENTIAL AND COPYRIGHT PROPERTY OF THE HARWIN GROUP AND MUST NOT BE DISCLOSED, LOANED, COPIED OR USED FOR MANUFACTURING, TENDERING OR FOR ANY OTHER PURPOSE WITHOUT THEIR WRITTEN PERMISSION.

MATERIAL & FINISH:  
  
SEE NOTE 1

TITLE: **GECKO LATCH MALE HORIZONTAL PC TAIL CONNECTOR ASSEMBLY**

DRAWING NUMBER:  
**G125-MHXXX05L3R**

SHT  
5 OF 6

# Customer Information Sheet

IF IN DOUBT - ASK

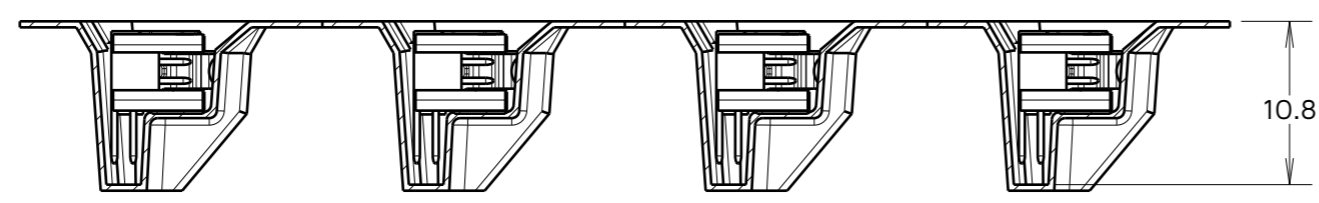
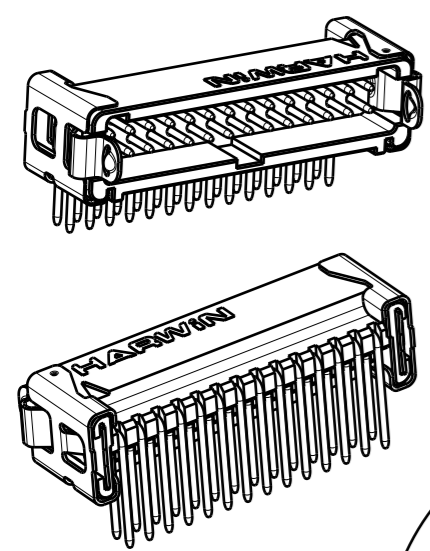
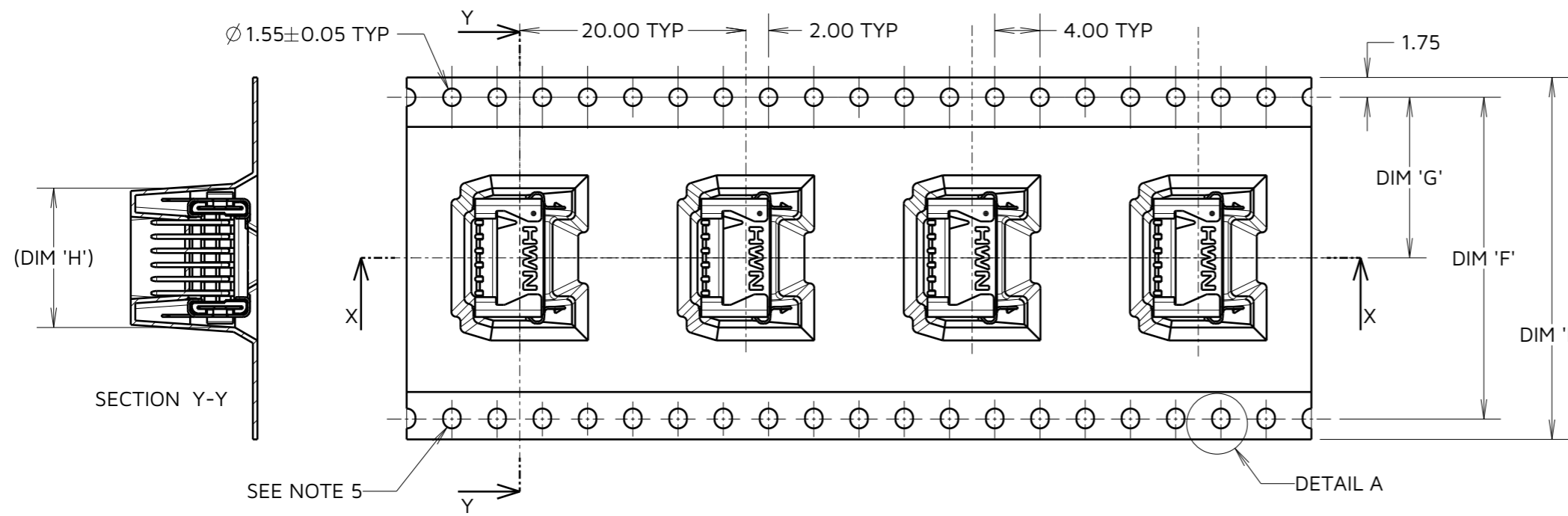
©

NOT TO SCALE

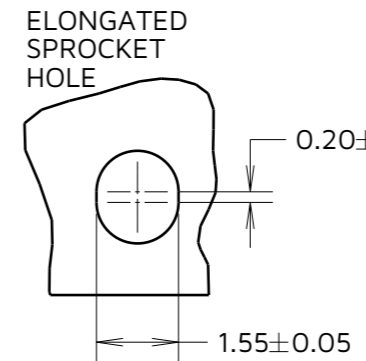
THIRD ANGLE PROJECTION

ALL DIMENSIONS IN mm

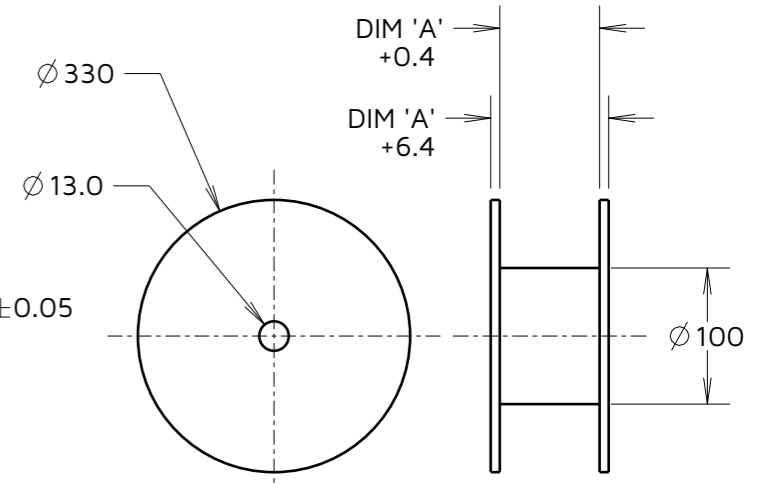
ORDER CODE:  
**G125-MHXXX05L3R**  
 3.2mm PC-TAILS = H1  
 4.7mm PC-TAILS = H2  
 TOTAL No. OF CONTACTS  
 06, 10, 12, 16, 20,  
 26, 34, 50.



SECTION X-X



DETAIL A  
SEE NOTE 6



REEL DETAILS

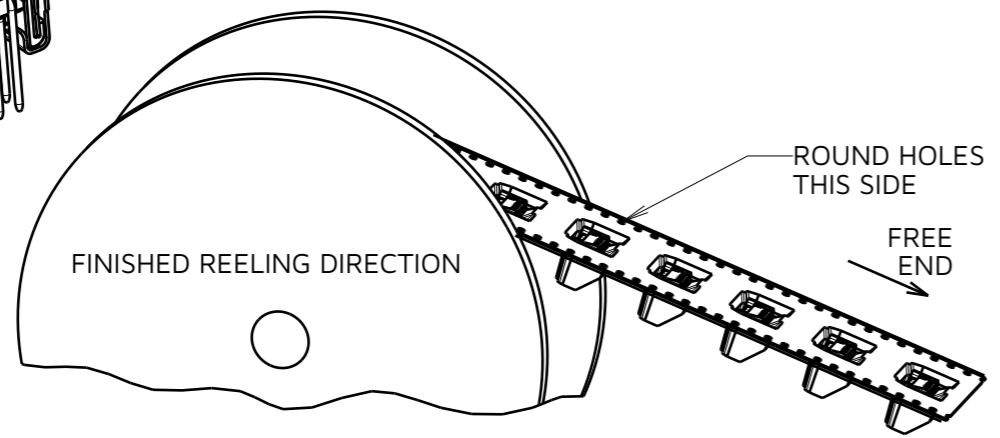


TABLE 2: DIMENSION VARIANTS

PART No.	DIM 'E'	DIM 'F'	DIM 'G'	DIM 'H'
G125-MHX0605L3R	24.0 +0.3/-0.1	NO ELONGATED HOLE	11.50	8.5
G125-MHX1005L3R				11.0
G125-MHX1205L3R	32.0±0.3	28.40	14.20	12.2
G125-MHX1605L3R				14.7
G125-MHX2005L3R	44.0±0.3	40.40	20.2±0.15	17.2
G125-MHX2605L3R				21.0
G125-MHX3405L3R	56.0±0.3	52.40	26.2±0.15	26.0
G125-MHX5005L3R				36.0

MJ	6	17.10.24	34985
NAME	ISS.	DATE	CN/CO
APPROVED:		M. JELLEY	
CHECKED:		A. BOXALL	
DRAWN:		MARK G PLESTED	

- NOTES:
- QUANTITY OF COMPONENTS PER REEL = 250.
  - FOR OTHER QUANTITIES SEE G125-MHXXX05L3P.
  - THIS PRODUCT IS TAPED AND REELED IN GENERAL ACCORDANCE WITH EIA-481-2-A (ELECTRONIC INDUSTRIES ASSOCIATION).
  - FOR COMPLETE SPECIFICATION, SEE COMPONENT SPECIFICATION C125XX (LATEST ISSUE).
  - ELONGATED SPROCKET HOLE NOT PRESENT ON 06 & 10 POSITIONS.
  - SEE SHEET 5 FOR CONNECTOR DETAILS.



www.harwin.com

TOLERANCES  
 X. = ±1mm  
 X.X = ±0.50mm  
 X.XX = ±0.20mm  
 X.XXX = ±0.01mm  
 ANGLES = ±5°  
 UNLESS STATED

THIS DRAWING AND ANY INFORMATION OR DESCRIPTIVE MATTER SET OUT HEREON ARE CONFIDENTIAL AND COPYRIGHT PROPERTY OF THE HARWIN GROUP AND MUST NOT BE DISCLOSED, LOANED, COPIED OR USED FOR MANUFACTURING, TENDERING OR FOR ANY OTHER PURPOSE WITHOUT THEIR WRITTEN PERMISSION.

MATERIAL & FINISH:  
 SEE SHEET 5

TITLE: **GECKO LATCH MALE HORIZONTAL PC TAIL CONNECTOR ASSEMBLY**

DRAWING NUMBER:  
**G125-MHXXX05L3R**