

Customer Information Sheet

IF IN DOUBT - ASK

©

NOT TO SCALE

THIRD ANGLE PROJECTION

ALL DIMENSIONS IN mm

SPECIFICATIONS:
MATERIAL:
 HOUSING = GLASS-FILLED PPS, UL94V-0, BLACK
 CONTACT = BRASS
 LATCH = COPPER ALLOY
FINISH:
 CONTACT:
 SEE ORDER CODE
 LATCH = NICKEL
 FOR COMPLETE SPECIFICATION, SEE COMPONENT SPECIFICATION C005XX (LATEST ISSUE).

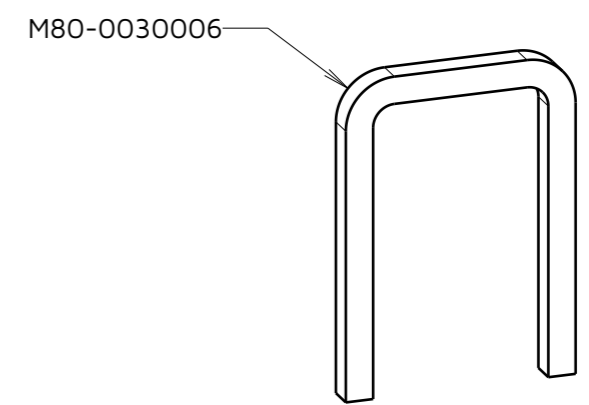
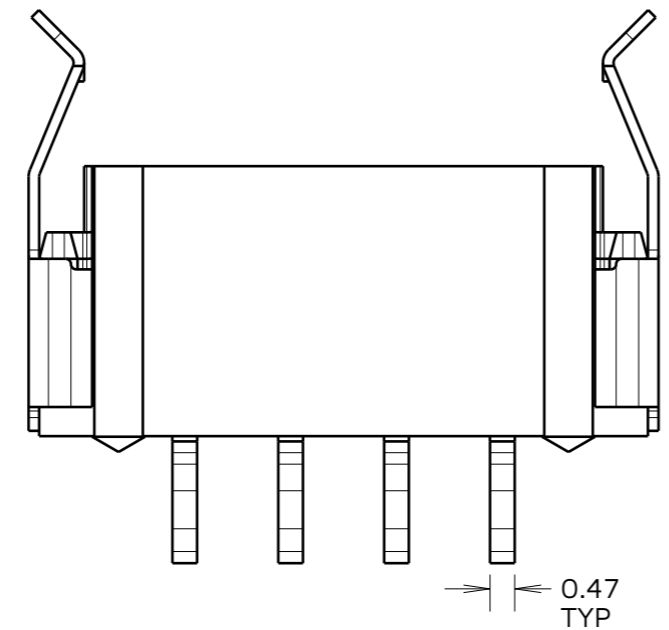
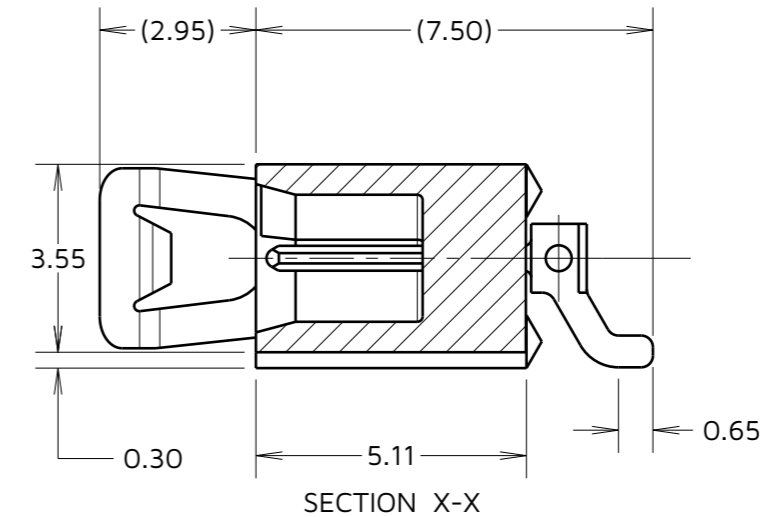
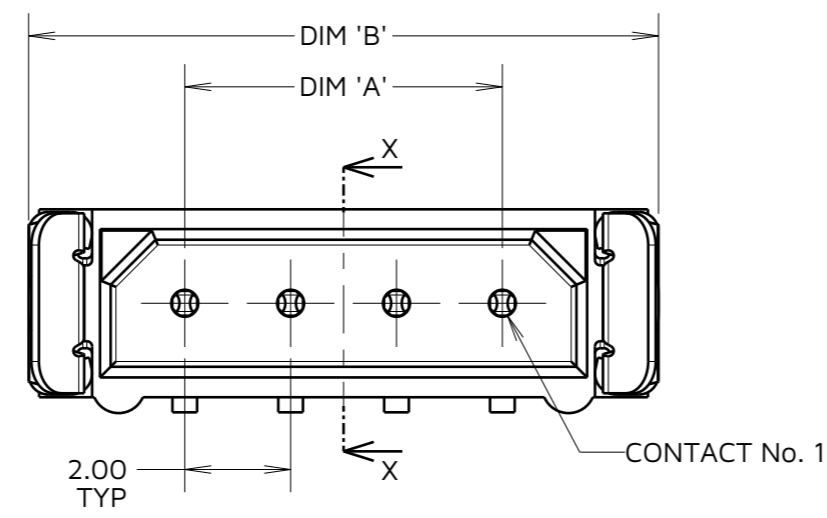
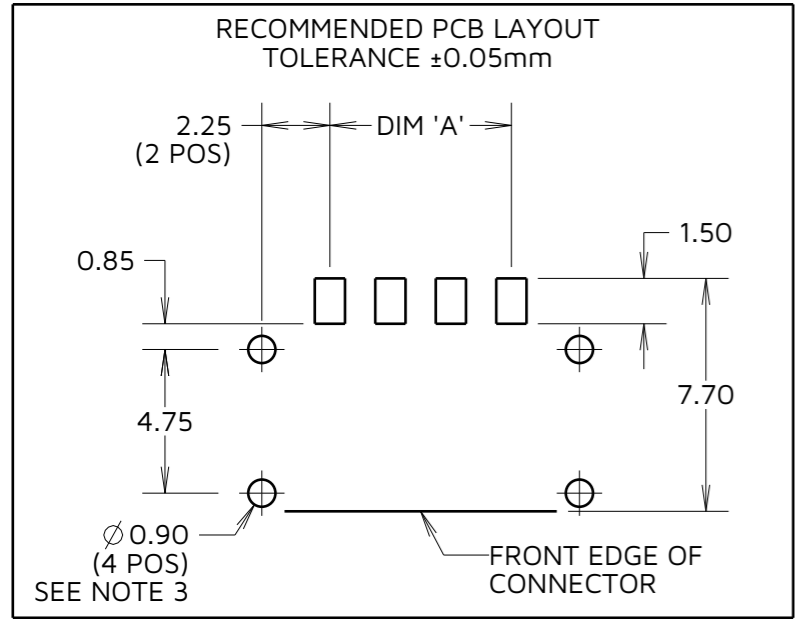
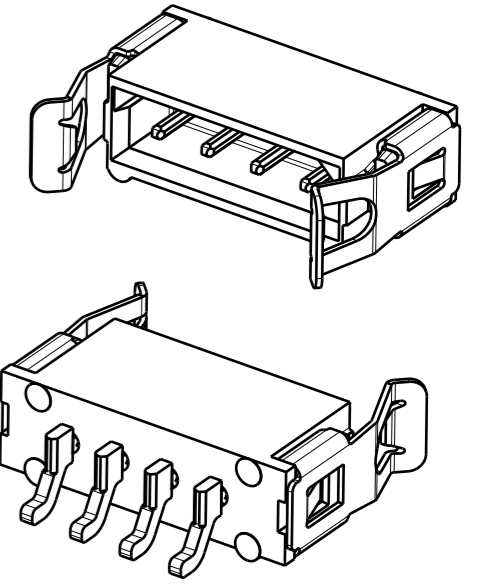


TABLE 1: DIMENSION VARIANTS

PART No.	DIM 'A'	DIM 'B'
M80-83602XX	2.00	8.10
M80-83603XX	4.00	10.10
M80-83604XX	6.00	12.10
M80-83605XX	8.00	14.10
M80-83606XX	10.00	16.10
M80-83607XX	12.00	18.10

ORDER CODE:
M80-836XXXX

TOTAL No. OF CONTACTS
 02 TO 07, 17, 22

FINISH
 22 - GOLD, TIN/LEAD
 42 - GOLD, 100% TIN
 45 - GOLD

JD	9	21.02.25	35754
NAME	ISS.	DATE	CN/CO
APPROVED:		J.DEAN	
CHECKED:		A.YEOMANS	
DRAWN:		R.ADDE	

- 2 OFF STRAIN RELIEF STRAPS (PART No. M80-0030006) SUPPLIED WITH EACH CONNECTOR
- M80-83604XX SHOWN FOR ILLUSTRATION PURPOSES ONLY
- STRAIN RELIEF STRAP HOLES



TOLERANCES
 X. = ±1mm
 X.X = ±0.50mm
 X.XX = ±0.20mm
 X.XXX = ±0.01mm
 ANGLES = ±5°
 UNLESS STATED

THIS DRAWING AND ANY INFORMATION OR DESCRIPTIVE MATTER SET OUT HEREON ARE CONFIDENTIAL AND COPYRIGHT PROPERTY OF THE HARWIN GROUP AND MUST NOT BE DISCLOSED, LOANED, COPIED OR USED FOR MANUFACTURING, TENDERING OR FOR ANY OTHER PURPOSE WITHOUT THEIR WRITTEN PERMISSION.

MATERIAL & FINISH:
 SEE ABOVE

TITLE: DATAMATE L-TEK MALE SIL HORIZONTAL SMT ASSEMBLY (LATCHED)
DRAWING NUMBER: M80-836XXXX
 SHT 2 OF 2