

Customer Information Sheet

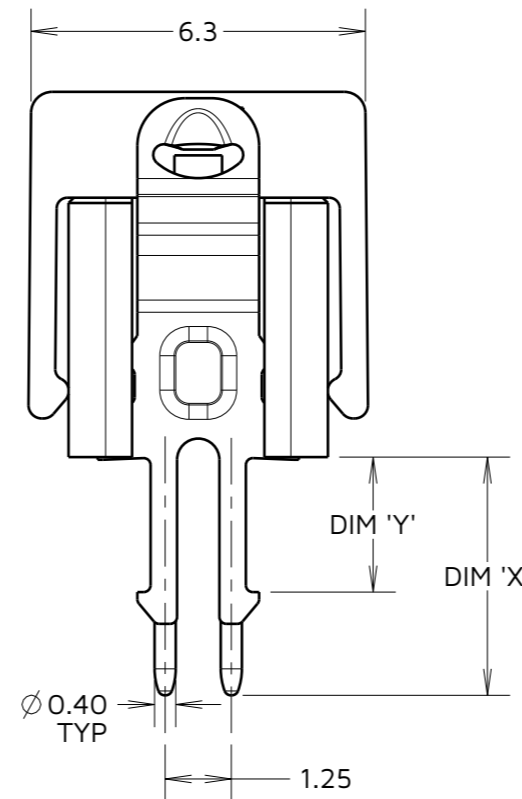
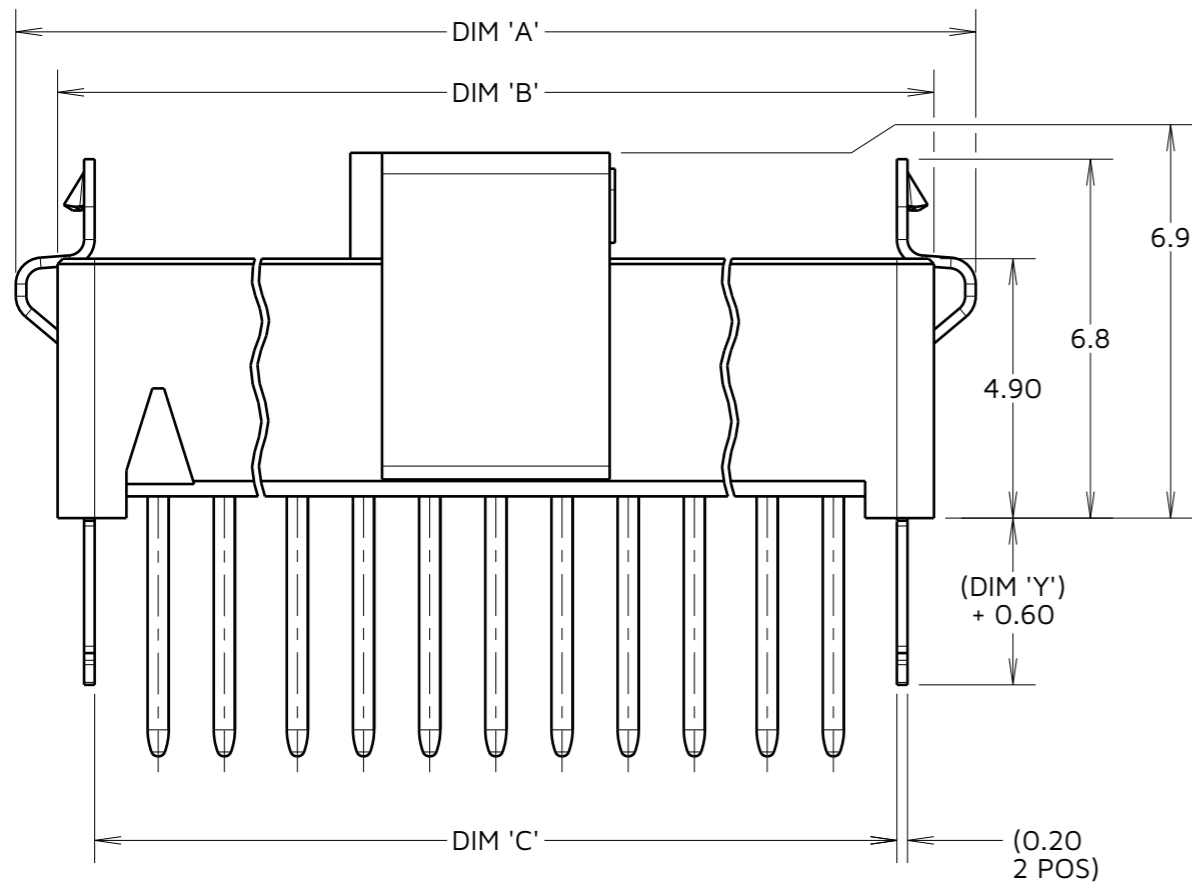
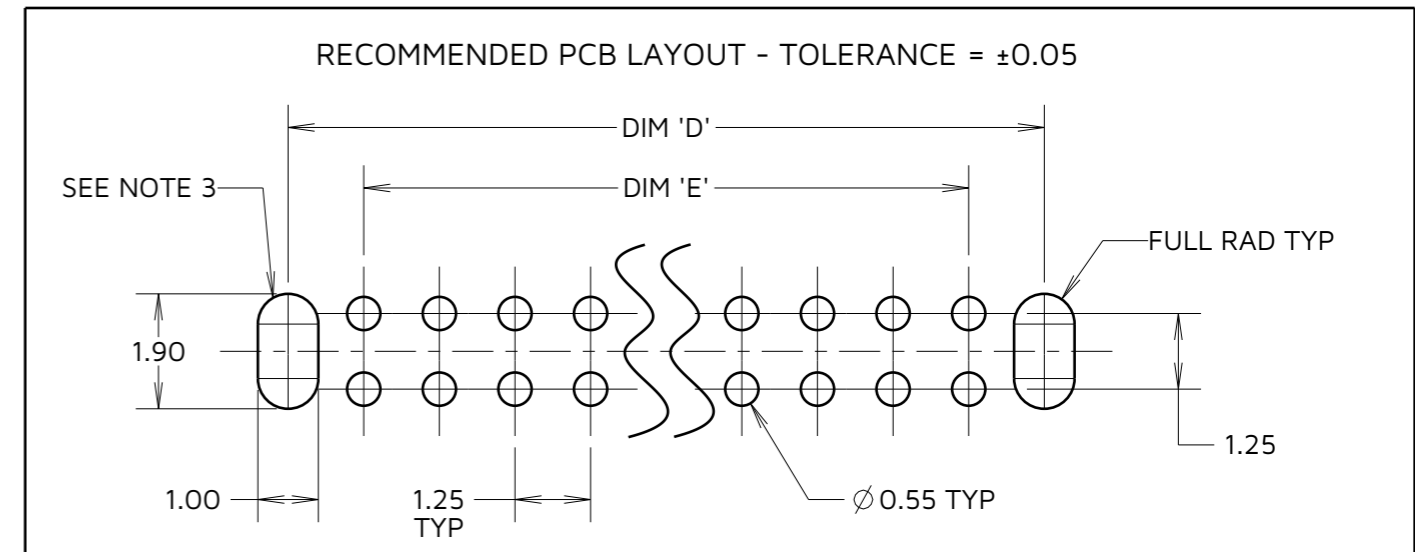
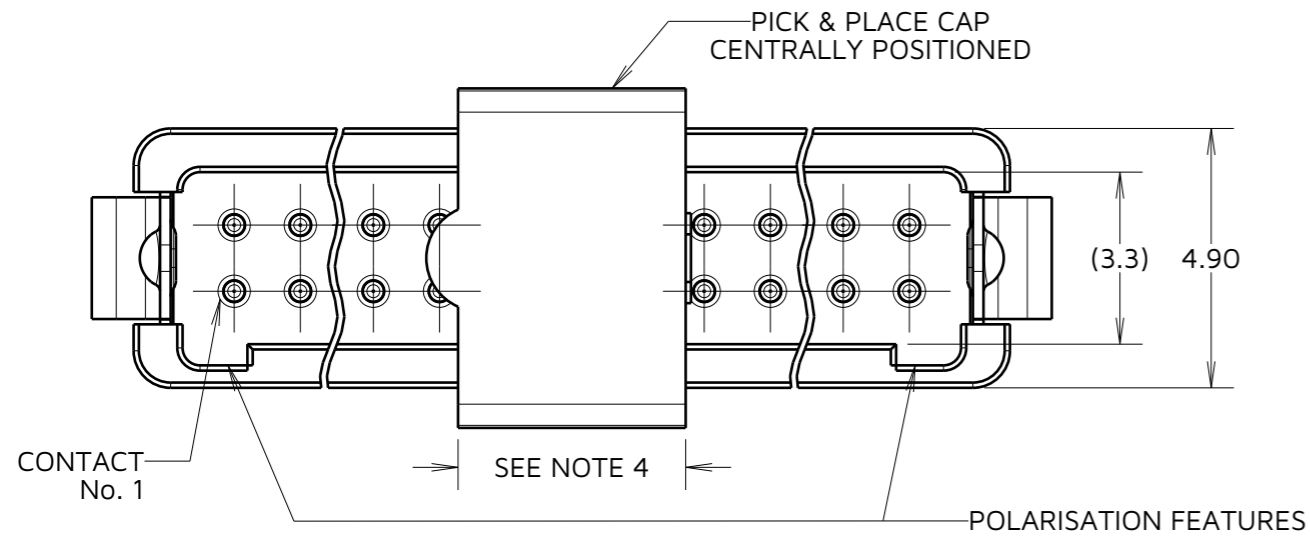
IF IN DOUBT - ASK



NOT TO SCALE

THIRD ANGLE PROJECTION

ALL DIMENSIONS IN mm



PART No.	DIM 'A'	DIM 'B'	DIM 'C'	DIM 'D'	DIM 'E'
G125-MVX0605LXP	7.70	6.30	4.90	5.00	2.50
G125-MVX1005LXP	10.20	8.80	7.40	7.50	5.00
G125-MVX1205LXP	11.45	10.05	8.65	8.75	6.25
G125-MVX1605LXP	13.95	12.55	11.15	11.25	8.75
G125-MVX2005LXP	16.45	15.05	13.65	13.75	11.25
G125-MVX2605LXP	20.20	18.80	17.40	17.50	15.00
G125-MVX3405LXP	25.20	23.80	22.40	22.50	20.00
G125-MVX5005LXP	35.20	33.80	32.40	32.50	30.00

CONNECTOR DETAILS AND PCB LAYOUT ONLY. SEE SHEET 5 FOR TAPE STRIP DETAILS.

ORDER CODE:
G125-MVXXX05LXP

CONTACT STYLE: _____
 3.00MM PC-TAIL = V1
 4.50MM PC-TAIL = V2

TOTAL No. OF CONTACTS: _____
 06, 10, 12, 16, 20, 26, 34, 50

LATCHES: _____
 NO LATCHES = LO
 1.6mm LATCHES = L1
 2.4mm LATCHES = L2

CONTACT STYLE	DIM 'X'	LATCH STYLE	DIM 'Y'
V1	3.00	L0	NO LATCH
		L1	1.70
V2	4.50	L0	NO LATCH
		L2	2.50

- NOTES:
- FOR COMPLETE SPECIFICATION, SEE COMPONENT SPECIFICATION C125XX (LATEST ISSUE).
 - LATCHES SHOWN FOR ILLUSTRATION ONLY. WHEN "LO" IS SPECIFIED IN ORDER CODE NO LATCHES WILL BE FITTED/SUPPLIED.
 - SLOTS NOT REQUIRED WHEN "LO" IS SPECIFIED IN ORDER CODE.
 - PICK AND PLACE CAP LENGTH = 4.3mm ON ALL PART NUMBERS EXCEPT G125-MVX0605LXP ON THIS PART LENGTH = 3.3mm.

HARWIN

www.harwin.com

TOLERANCES
 X. = ±1mm
 X.X = ±0.50mm
 X.XX = ±0.20mm
 X.XXX = ±0.01mm
 ANGLES = ±5°
 UNLESS STATED

THIS DRAWING AND ANY INFORMATION OR DESCRIPTIVE MATTER SET OUT HEREON ARE CONFIDENTIAL AND COPYRIGHT PROPERTY OF THE HARWIN GROUP AND MUST NOT BE DISCLOSED, LOANED, COPIED OR USED FOR MANUFACTURING, TENDERING OR FOR ANY OTHER PURPOSE WITHOUT THEIR WRITTEN PERMISSION.

MATERIAL & FINISH:
 SEE NOTE 1

TITLE: **GECKO LATCH MALE PLUG STRAIGHT THROUGH BOARD CONNECTOR ASSEMBLY**

DRAWING NUMBER:
G125-MVXXX05LXP

GS	8	11.06.25	36148
NAME	ISS.	DATE	CN/CO
APPROVED:	G.STIRZAKER		
CHECKED:	M.JELLEY		
DRAWN:	S.FLOWER		

Customer Information Sheet

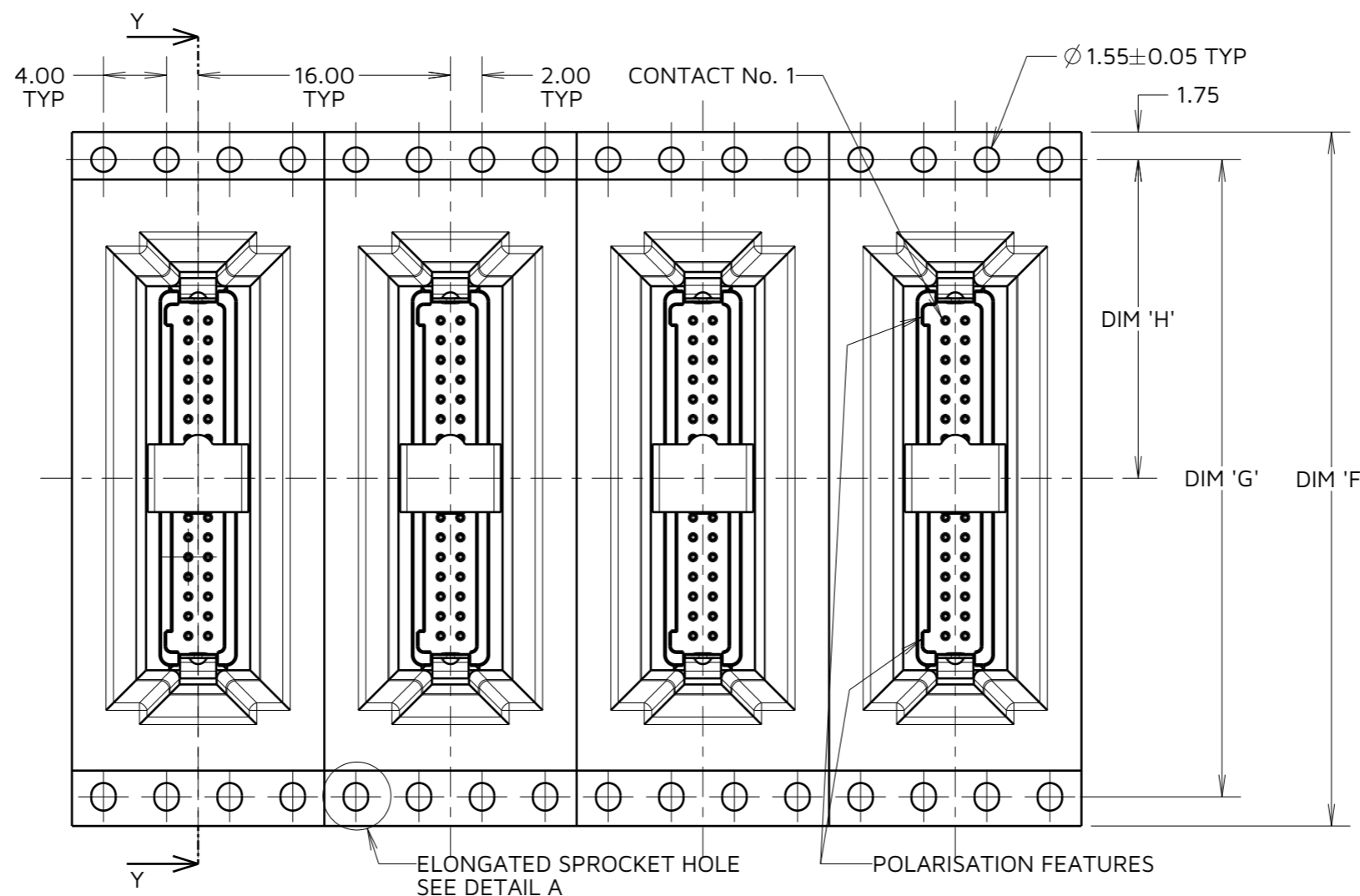
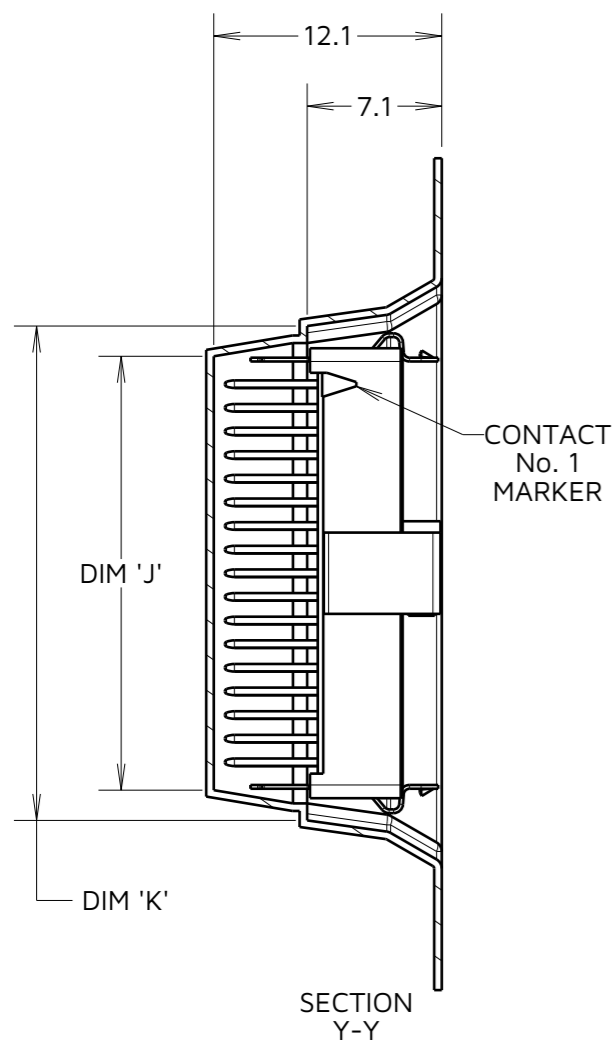
IF IN DOUBT - ASK

©

NOT TO SCALE

THIRD ANGLE PROJECTION

ALL DIMENSIONS IN mm



ORDER CODE:

G125-MVXXX05LXP

CONTACT STYLE:
3.00MM PC-TAIL = V1
4.50MM PC-TAIL = V2

TOTAL No. OF CONTACTS:
06, 10, 12, 16, 20, 26, 34, 50

LATCHES:
NO LATCHES = LO
1.6mm LATCHES = L1
2.4mm LATCHES = L2

DETAIL A
SEE NOTE 12

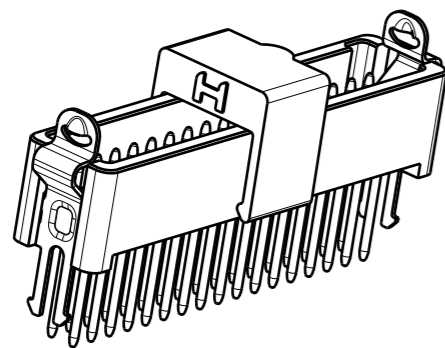
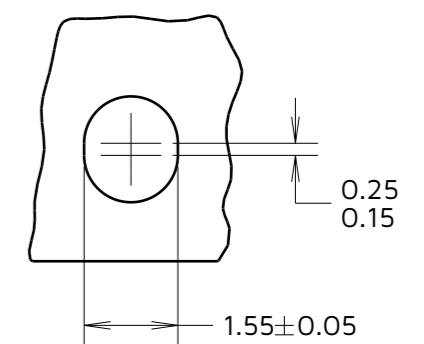


TABLE 3: DIMENSION VARIANTS

PART No.	DIM 'F'	DIM 'G'	DIM 'H'	DIM 'J'	DIM 'K'
G125-MVX0605LXP	24.0±0.3	NO ELONGATED HOLE	11.50	(8.7)	(5.5)
G125-MVX1005LXP				(11.2)	(8.0)
G125-MVX1205LXP	32.0±0.3	28.40	14.20	(12.4)	(9.2)
G125-MVX1605LXP				(14.9)	(11.7)
G125-MVX2005LXP	44.0±0.3	40.40	20.2±0.15	(17.4)	(14.2)
G125-MVX2605LXP				(21.2)	(18.0)
G125-MVX3405LXP				(26.2)	(23.0)
G125-MVX5005LXP	56.0±0.3	52.40	26.2±0.15	(36.2)	(33.0)

NOTES:

5. COMPONENTS ARE ORIENTATED IN TAPE POCKETS AS SHOWN.
6. COMPONENTS ARE SUPPLIED IN STRIPS OF TAPE. SUPPLIED QUANTITY MAY CONSIST OF MORE THAN ONE STRIP. STRIP LENGTH MAY VARY.
7. LARGE QUANTITIES MAY BE SHIPPED ON A REEL AND MAY NOT HAVE A LEADER.
8. FOR PARTS ON REEL SUITABLE FOR AUTOMATIC MACHINE PLACEMENT PLEASE ORDER: G125-MVXXX05LXR.
9. FOR COMPLETE SPECIFICATION, SEE COMPONENT SPECIFICATION C125XX (LATEST ISSUE).
10. COMPONENTS ARE ORIENTATED IN TAPE POCKETS SO THAT THE POLARISING FEATURES ARE FACING AWAY FROM THE FREE END.
11. LATCHES SHOWN FOR ILLUSTRATION ONLY. WHEN "LO" IS SPECIFIED IN ORDER CODE NO LATCHES WILL BE FITTED/SUPPLIED.
12. ELONGATED SPROCKET HOLE NOT PRESENT ON 06 & 10 POSITIONS.

GS	8	11.06.25	36148
NAME	ISS.	DATE	CN/CO
APPROVED:		G.STIRZAKER	
CHECKED:		M.JELLEY	
DRAWN:		S.FLOWER	

HARWIN

www.harwin.com

TOLERANCES
X. = ±1mm
X.X = ±0.50mm
X.XX = ±0.20mm
X.XXX = ±0.01mm
ANGLES = ±5°
UNLESS STATED

THIS DRAWING AND ANY INFORMATION OR DESCRIPTIVE MATTER SET OUT HEREON ARE CONFIDENTIAL AND COPYRIGHT PROPERTY OF THE HARWIN GROUP AND MUST NOT BE DISCLOSED, LOANED, COPIED OR USED FOR MANUFACTURING, TENDERING OR FOR ANY OTHER PURPOSE WITHOUT THEIR WRITTEN PERMISSION.

MATERIAL & FINISH:

SEE SHEET 4

TITLE: **GECKO LATCH MALE
PLUG STRAIGHT THROUGH
BOARD CONNECTOR ASSEMBLY**

DRAWING NUMBER:
G125-MVXXX05LXP

SHT
5
OF
5