

Customer Information Sheet

IF IN DOUBT - ASK

©

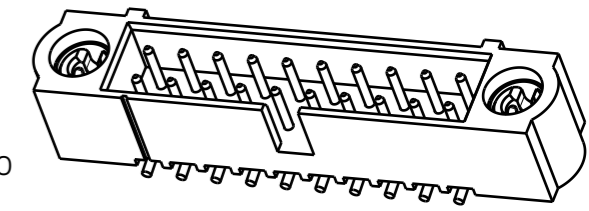
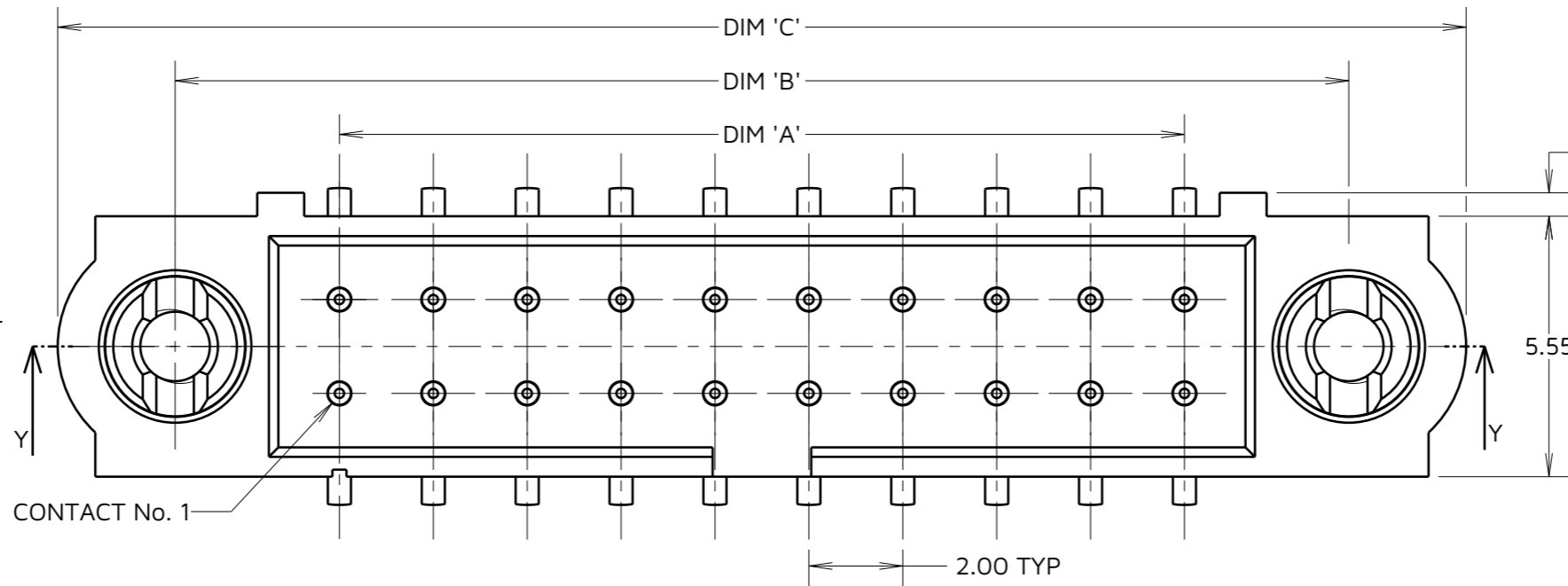
NOT TO SCALE

THIRD ANGLE PROJECTION

ALL DIMENSIONS IN mm

SPECIFICATIONS:
MATERIAL:
 HOUSING = GLASS-FILLED PPS,
 UL94V-0, BLACK
 CONTACT = PHOSPHOR BRONZE
 101LOK RETAINER = STAINLESS STEEL
FINISH (CONTACTS):
 NICKEL ALL OVER CONTACTS
 22 = GOLD ON CONTACT AREA,
 TIN/LEAD ON TAILS
 42 = GOLD ON CONTACT AREA,
 100% TIN ON TAILS

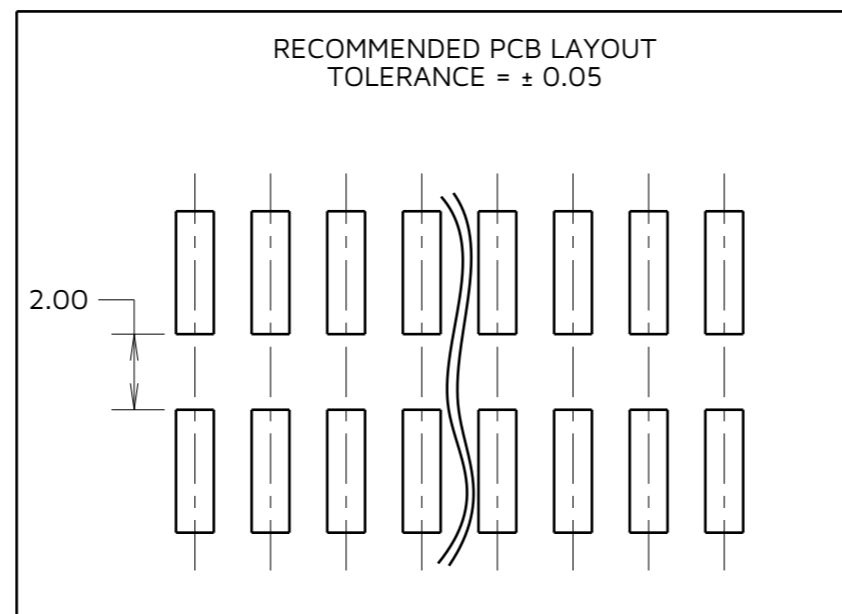
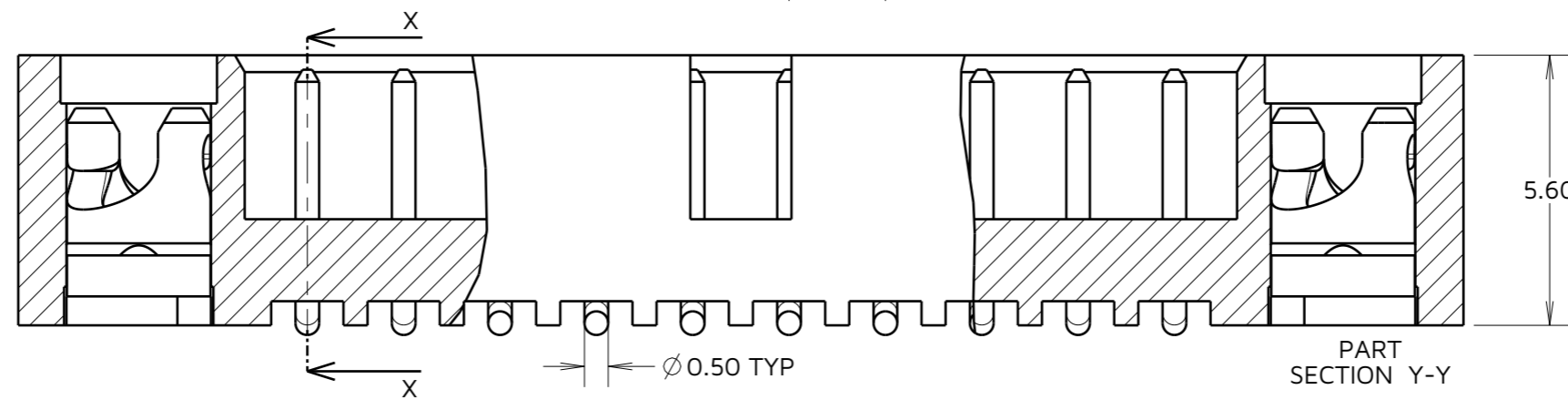
PACKING:
 TUBE
 FOR COMPLETE SPECIFICATION, SEE COMPONENT
 SPECIFICATION C005XX (LATEST ISSUE)



CONTACT No. 1 ID MARK
 MAY NOT BE PRESENT

TABLE 2: WEIGHTS

PART No.	WEIGHT (g)
M80-5S104XXMC	0.74
M80-5S106XXMC	0.80
M80-5S108XXMC	0.87
M80-5S110XXMC	0.94
M80-5S112XXMC	1.01
M80-5S114XXMC	1.08
M80-5S116XXMC	1.14
M80-5S118XXMC	1.21
M80-5S120XXMC	1.28
M80-5S122XXMC	1.35
M80-5S124XXMC	1.42
M80-5S126XXMC	1.48
M80-5S128XXMC	1.55
M80-5S130XXMC	1.62
M80-5S132XXMC	1.69
M80-5S134XXMC	1.76
M80-5S136XXMC	1.82
M80-5S138XXMC	1.89
M80-5S140XXMC	1.96
M80-5S142XXMC	2.03
M80-5S144XXMC	2.10
M80-5S146XXMC	2.16
M80-5S148XXMC	2.23
M80-5S150XXMC	2.30



ORDER CODE:
M80-5S1XXXXMC
 TOTAL No. OF CONTACTS
 04 TO 50
 (EVEN NUMBERS ONLY)
 FINISH CODE
 22 - GOLD ON CONTACT AREA / TIN/LEAD ON TAIL
 42 - GOLD ON CONTACT AREA / 100% TIN OVER
 NICKEL ON TAIL

TABLE 1: DIMENSION VARIANTS	
DIMENSION	CALCULATION
DIM 'A'	TOTAL No. OF CONTACTS - 2.00
DIM 'B'	TOTAL No. OF CONTACTS + 5.00
DIM 'C'	TOTAL No. OF CONTACTS + 10.0

EXAMPLE ORDER CODE: CONNECTOR WITH 20 CONTACTS,
 M80-5S120XXMC
 DIM 'A' = 18.00mm, DIM 'B' = 25.00mm, DIM 'C' = 30.0mm

MJ	6	10.12.24	35293
NAME	ISS.	DATE	CN/CO
APPROVED: M. JELLEY			
CHECKED: R. ALEXANDER			
DRAWN: R. ADDE			

NOTES:
 1. M80-5S1XXXXMC IS SHOWN FOR ILLUSTRATION PURPOSES, SEE ORDER CODE FOR VARIANTS

HARWIN

www.harwin.com

TOLERANCES
 X. = ±1mm
 X.X = ±0.50mm
 X.XX = ±0.20mm
 X.XXX = ±0.01mm
 ANGLES = ±5°
 UNLESS STATED

THIS DRAWING AND ANY INFORMATION OR DESCRIPTIVE MATTER SET OUT HEREON ARE CONFIDENTIAL AND COPYRIGHT PROPERTY OF THE HARWIN GROUP AND MUST NOT BE DISCLOSED, LOANED, COPIED OR USED FOR MANUFACTURING, TENDERING OR FOR ANY OTHER PURPOSE WITHOUT THEIR WRITTEN PERMISSION.

MATERIAL & FINISH:
 SEE ABOVE

TITLE: DATAMATE J-TEK MALE VERT SMT 101LOK RETAINER CONNECTOR ASSEMBLY

DRAWING NUMBER: M80-5S1XXXXMC

SHT 2 OF 2