

# Customer Information Sheet

IF IN DOUBT - ASK

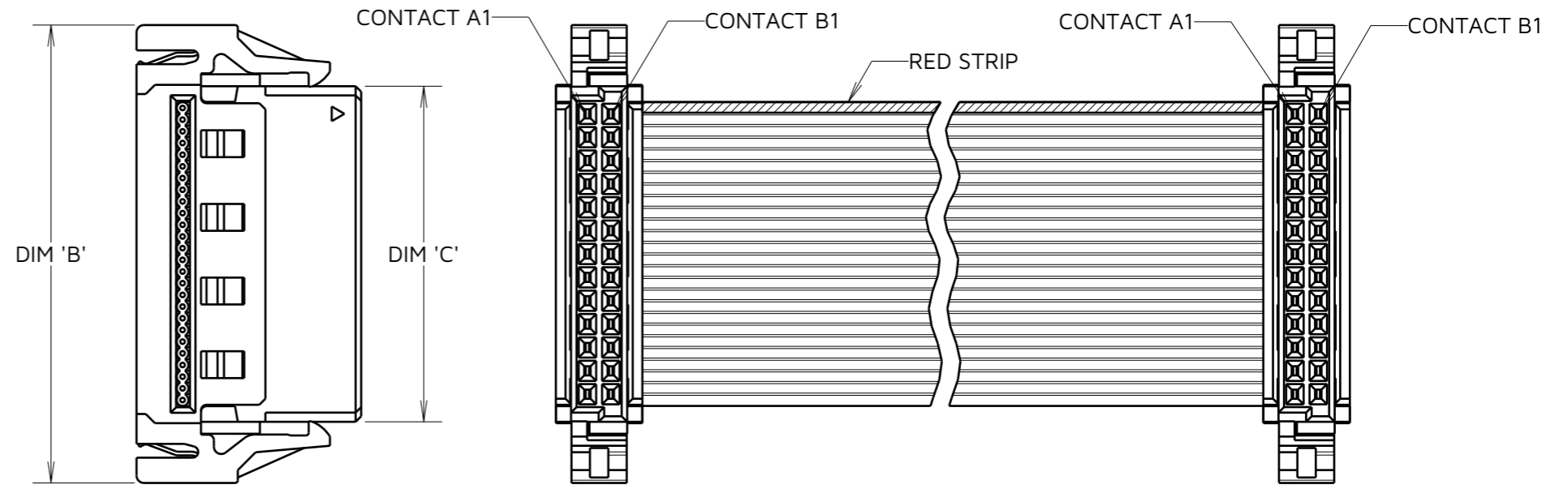
©

NOT TO SCALE

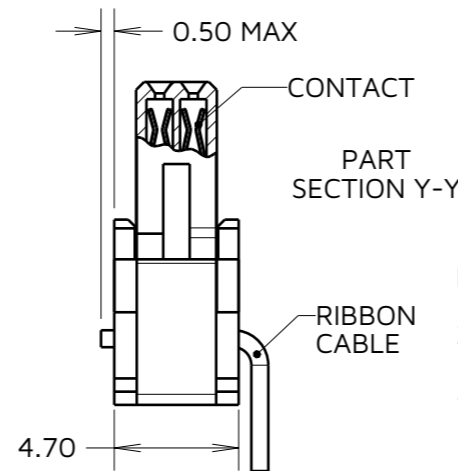
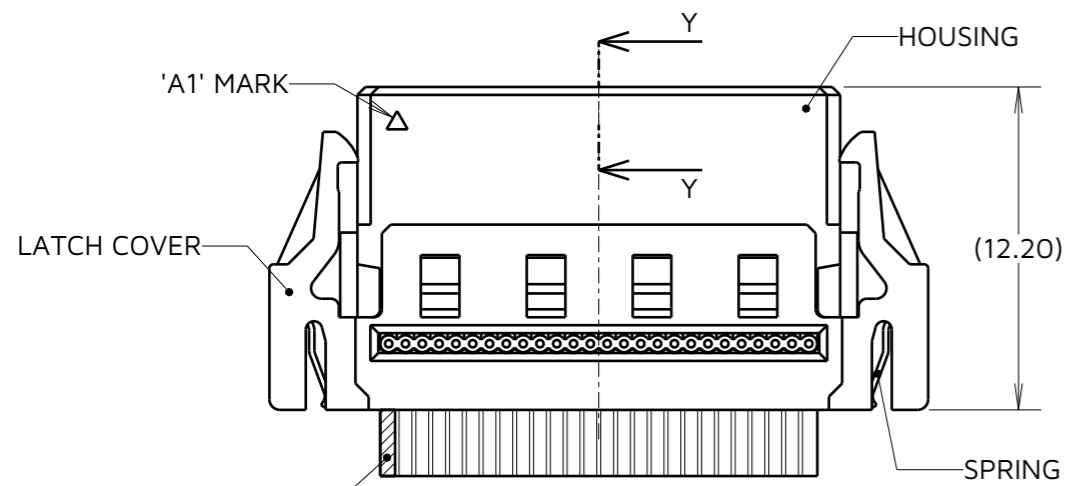
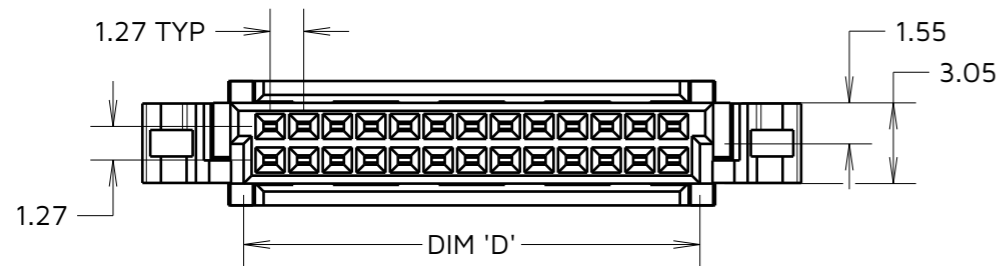
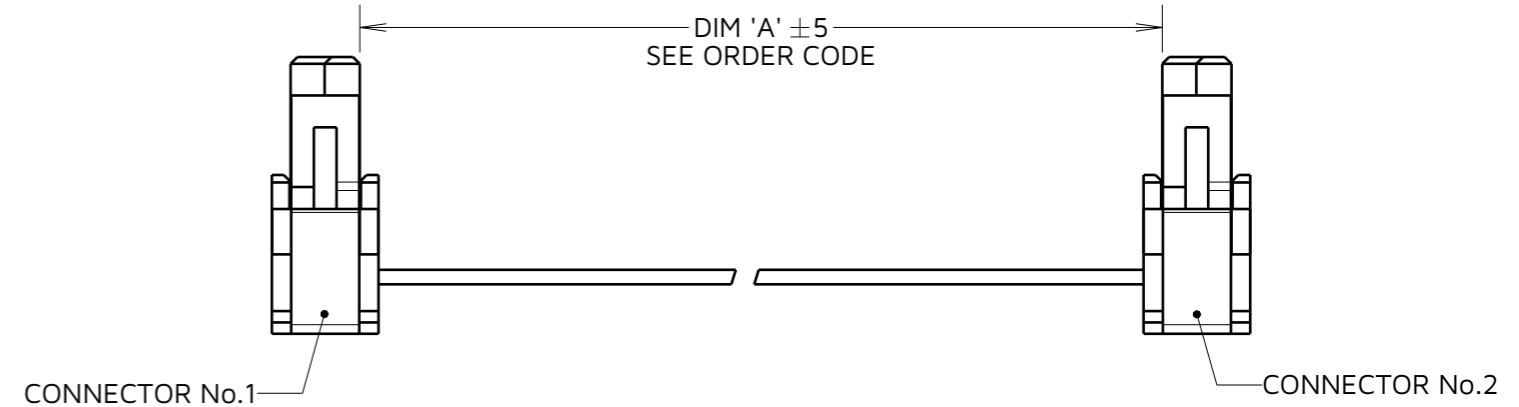
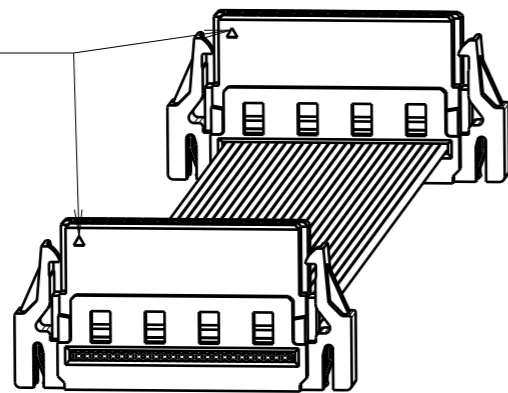
THIRD ANGLE PROJECTION

ALL DIMENSIONS IN mm

No. OF CONTACTS	DIM 'B'	DIM 'C'	DIM 'D'
12	16.00	9.35	8.35
16	18.54	11.89	10.89
20	21.08	14.43	13.43
26	24.89	18.24	17.24
32	28.70	22.05	21.05
40	33.78	27.13	26.13
50	40.13	33.48	32.48
68	51.56	44.91	43.91
80	59.18	52.53	51.53



ORIENTATION OF CONNECTORS ON RIBBON CABLE IS AS SHOWN



ORDER CODE:  
**M55-800XX42-XXXXA**

TOTAL No. OF CONTACTS: 12, 16, 20, 26, 32, 40, 50, 68, 80

FINISH: 42 = GOLD FLASH ON CONTACT AREA  
TIN TAILS

DIM 'A' STOCKED LENGTH:  
0150 = 150mm  
0300 = 300mm

DIM 'A' CUSTOM LENGTH:  
0060 = 60mm MIN  
9999 = 9999mm MAX

- NOTES:
- CABLE ASSEMBLIES ARE PACKED INDIVIDUALLY IN BAGS.
  - FOR COMPLETE SPECIFICATION, SEE COMPONENT SPECIFICATIONS C047XX (LATEST ISSUE).
  - WIRING OF CONNECTOR:  
CONTACT A1 TO CONTACT A1  
CONTACT B1 TO CONTACT B1 ETC.

AB	2	12.06.24	34229
NAME	ISS.	DATE	CN/CO
APPROVED: A.BOXALL			
CHECKED: R.PORTLOCK			
DRAWN: M.RUDKIN			
ASSEMBLY DRG:			



TOLERANCES  
 X. = ±1mm  
 X.X = ±0.50mm  
 X.XX = ±0.20mm  
 X.XXX = ±0.01mm  
 ANGLES = ±5°  
 UNLESS STATED

THIS DRAWING AND ANY INFORMATION OR DESCRIPTIVE MATTER SET OUT HEREON ARE CONFIDENTIAL AND COPYRIGHT PROPERTY OF THE HARWIN GROUP AND MUST NOT BE DISCLOSED, LOANED, COPIED OR USED FOR MANUFACTURING, TENDERING OR FOR ANY OTHER PURPOSE WITHOUT THEIR WRITTEN PERMISSION.

MATERIAL:  
SEE ABOVE

TITLE:  
**1.27mm PITCH IDC FEMALE CABLE ASSEMBLY**

DRAWING NUMBER:  
**M55-800XX42-XXXXA**

SHT 2 OF 2