

Customer Information Sheet

IF IN DOUBT - ASK

©

NOT TO SCALE

THIRD ANGLE PROJECTION

ALL DIMENSIONS IN mm

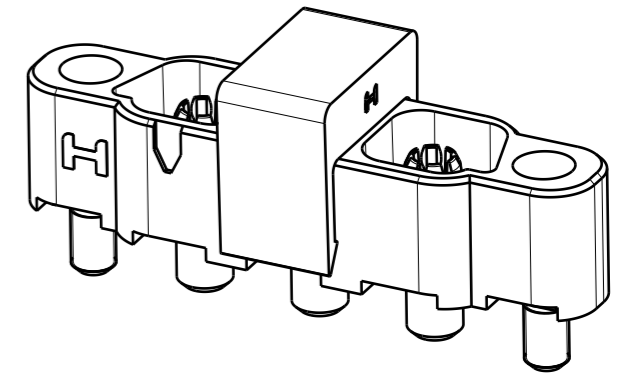
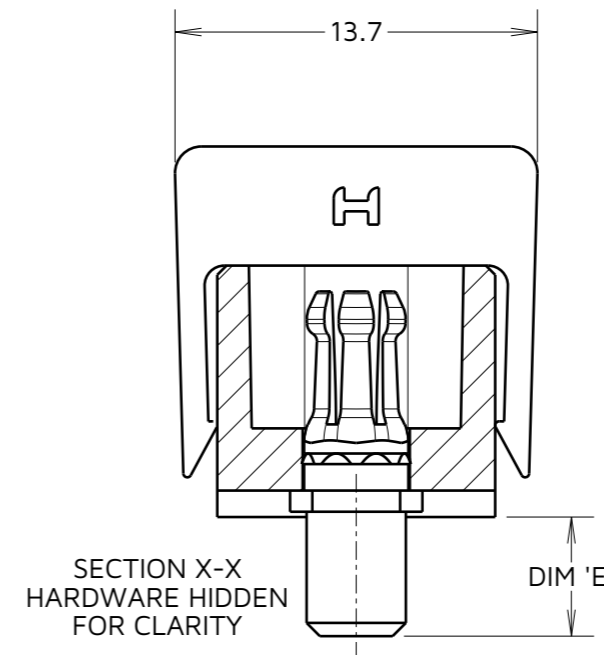
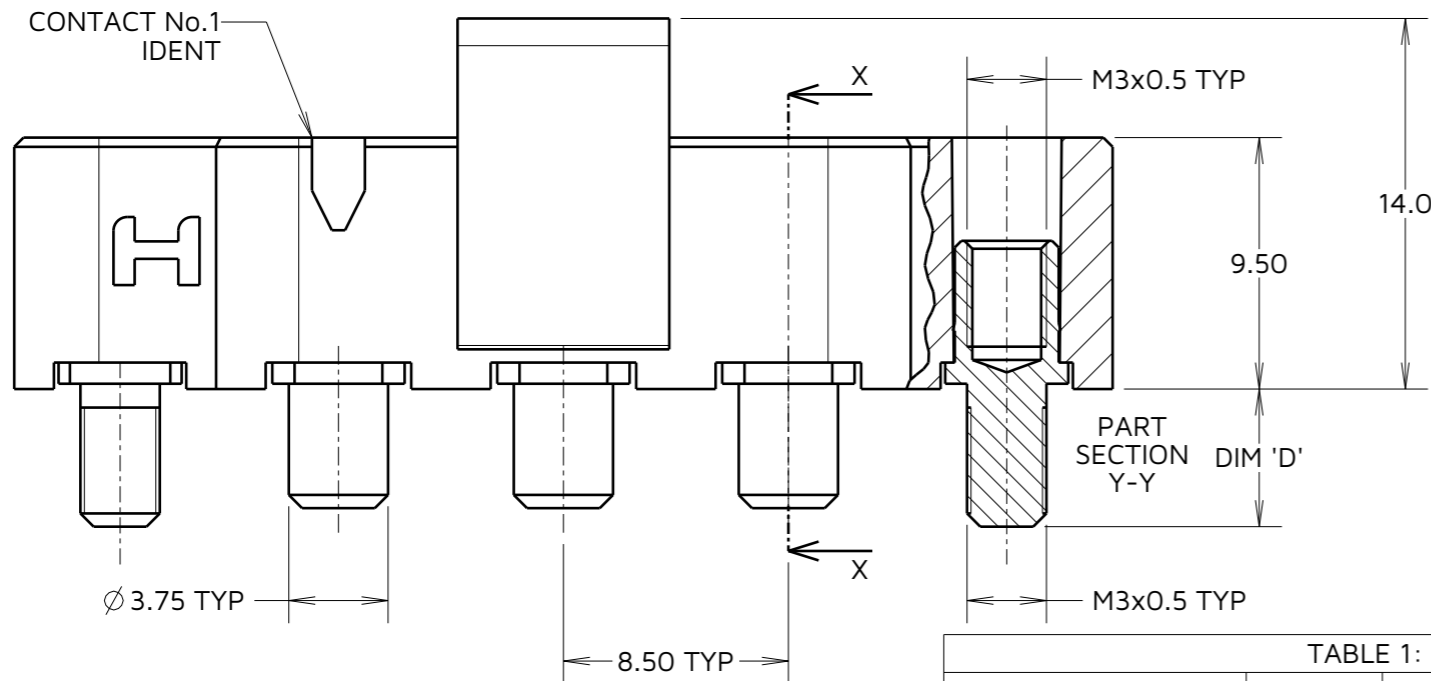
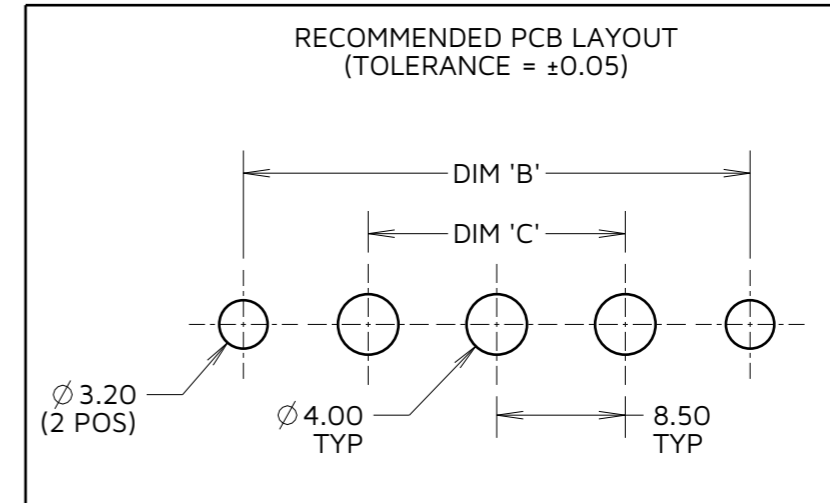
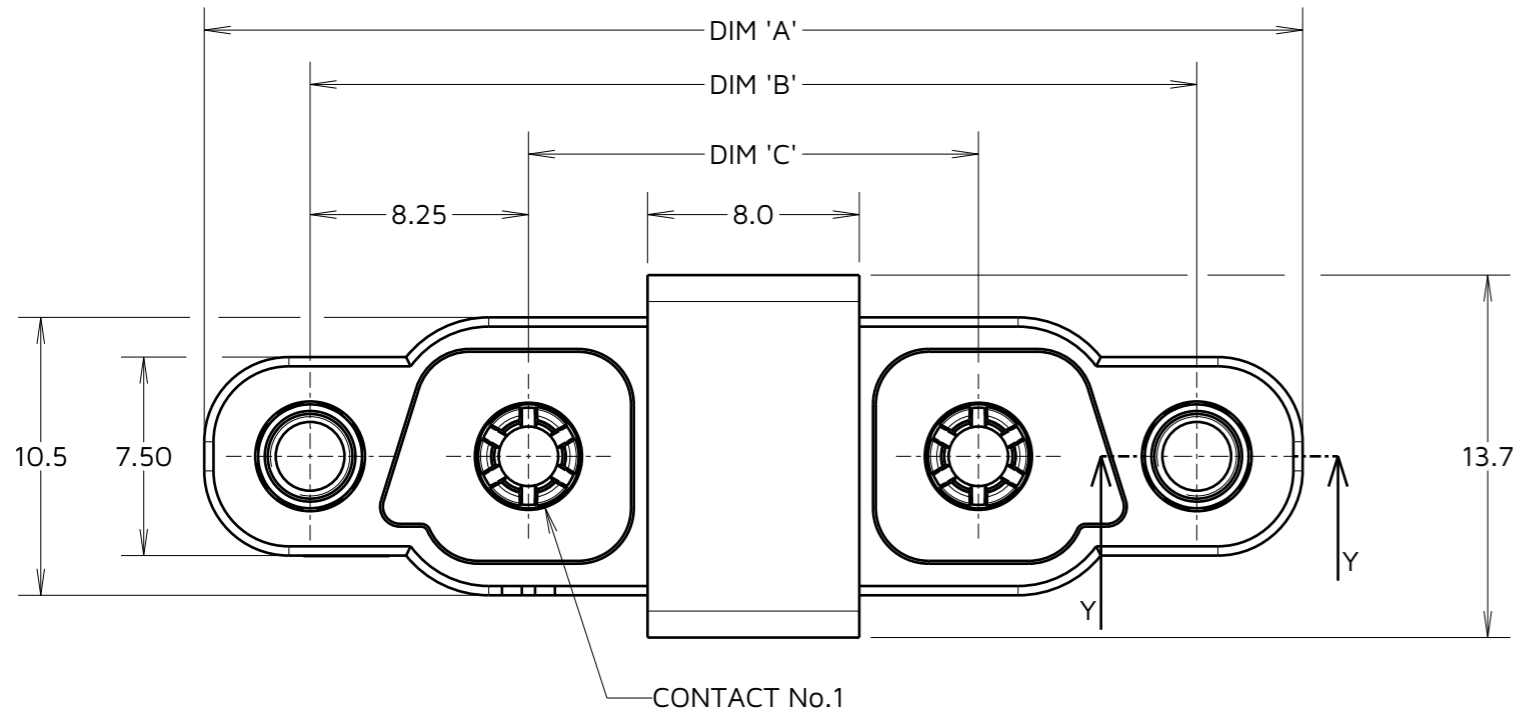


TABLE 1: VARIANTS

ASSEMBLY PART No.	DIM 'A'	DIM 'B'	DIM 'C'	DIM 'D'	DIM 'E'
KA1-MV10205M1	33.0	25.00	8.50	5.20	4.50
KA1-MV10305M1	41.5	33.50	17.00		
KA1-MV10405M1	50.0	42.00	25.50	6.60	5.90
KA1-MV20205M1	33.0	25.00	8.50		
KA1-MV20305M1	41.5	33.50	17.00		
KA1-MV20405M1	50.0	42.00	25.50		

ORDER CODE:
KA1-MVXXX05M1

TAIL LENGTH
SEE TABLE 1

TOTAL No. OF CONTACTS
02, 03, 04

AY	5	04.10.24	34936
NAME	ISS.	DATE	CN/CO
APPROVED: A.YEOMANS			
CHECKED: R. PORTLOCK			
DRAWN: M.RUDKIN			

- NOTES:
 1. FOR CONNECTOR SPECIFICATIONS SEE C052XX (LATEST ISSUE).
 2. DRAWING SHOWS CONNECTOR WITH 3 CONTACTS.
 3. FOR BOARD MOUNT NUTS ORDER SEPERATELY. PART NUMBER: KA1-4240000 ROUND SLOTTED NUT - BAG OF 20.
 4. PACKING = TUBE.

HARWIN

www.harwin.com

TOLERANCES
 X. = ±1mm
 X.X = ±0.50mm
 X.XX = ±0.20mm
 X.XXX = ±0.01mm
 ANGLES = ±5°
 UNLESS STATED

THIS DRAWING AND ANY INFORMATION OR DESCRIPTIVE MATTER SET OUT HEREON ARE CONFIDENTIAL AND COPYRIGHT PROPERTY OF THE HARWIN GROUP AND MUST NOT BE DISCLOSED, LOANED, COPIED OR USED FOR MANUFACTURING, TENDERING OR FOR ANY OTHER PURPOSE WITHOUT THEIR WRITTEN PERMISSION.

MATERIAL & FINISH:
 SEE COMPONENT SPECIFICATION: C052XX (LATEST ISSUE)

TITLE:
KONA SERIES - MALE VERTICAL PCT CONNECTOR

DRAWING NUMBER:
KA1-MVXXX05M1

SHT
4 OF 4