

Customer Information Sheet

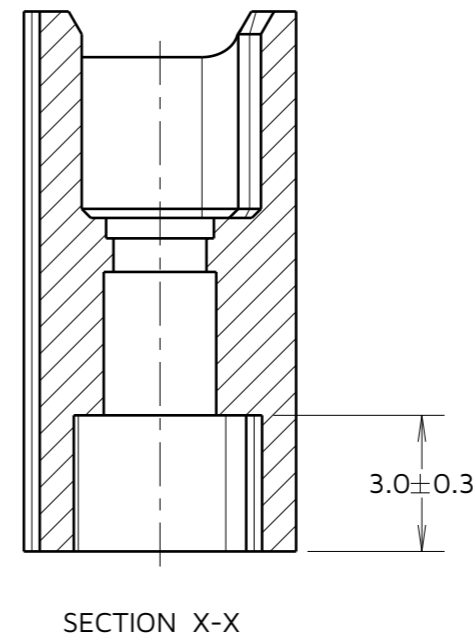
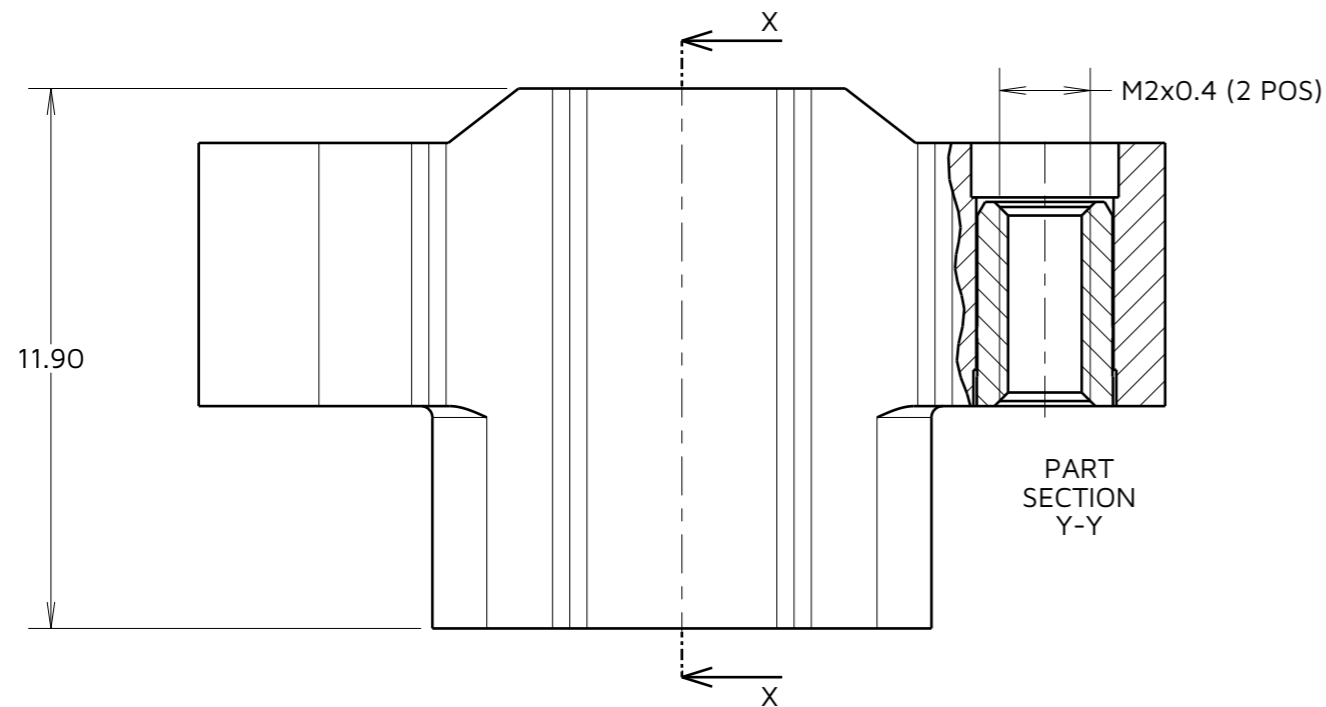
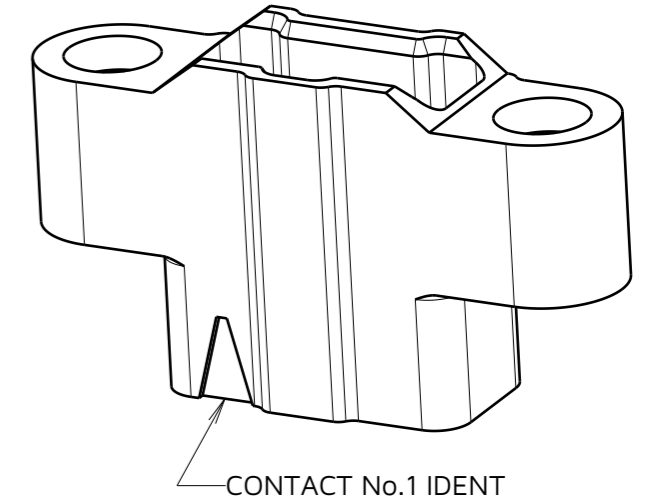
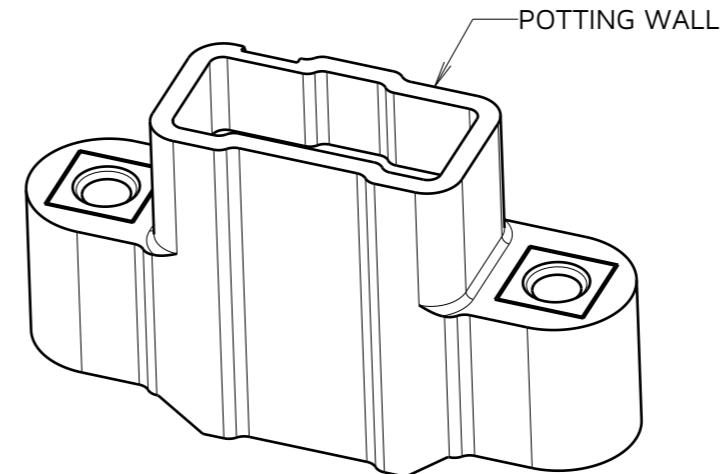
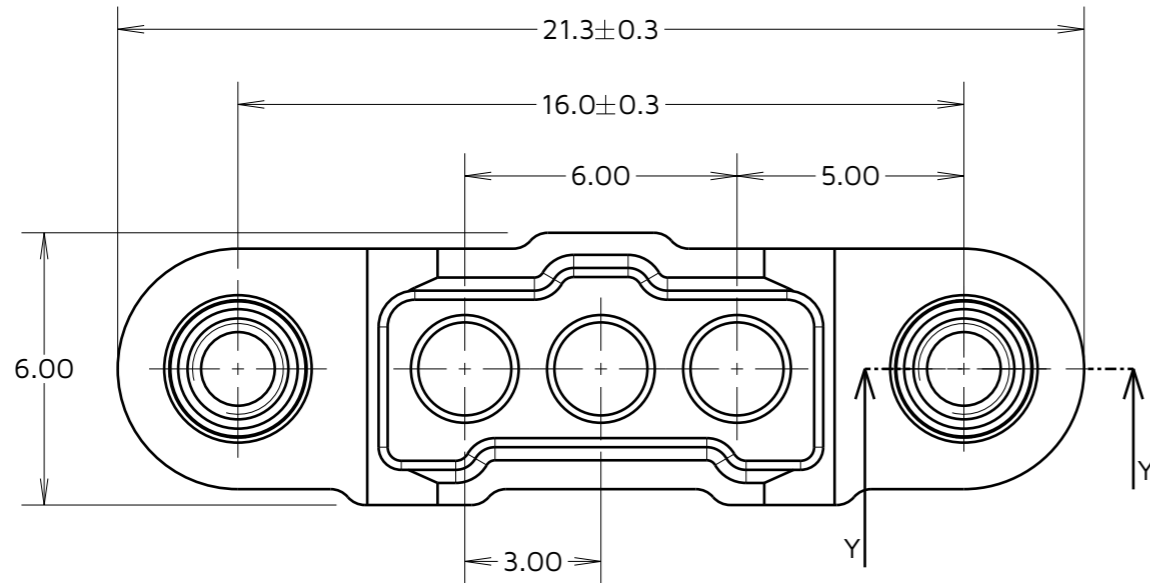
IF IN DOUBT - ASK

©

NOT TO SCALE

THIRD ANGLE PROJECTION

ALL DIMENSIONS IN mm



- NOTES:
 1. FOR USE WITH M300-1010045 & M300-1020045 CONTACTS (NOT INCLUDED).
 2. SEE COMPONENT SPECIFICATION CO48XX (LATEST ISSUE) FOR PRODUCT SPECIFICATION AND WIRING/CRIMPING ASSEMBLY INSTRUCTIONS.

HARWIN

www.harwin.com

TOLERANCES
 X. = ±1mm
 X.X = ±0.50mm
 X.XX = ±0.20mm
 X.XXX = ±0.01mm
 ANGLES = ±5°
 UNLESS STATED

THIS DRAWING AND ANY INFORMATION OR DESCRIPTIVE MATTER SET OUT HEREON ARE CONFIDENTIAL AND COPYRIGHT PROPERTY OF THE HARWIN GROUP AND MUST NOT BE DISCLOSED, LOANED, COPIED OR USED FOR MANUFACTURING, TENDERING OR FOR ANY OTHER PURPOSE WITHOUT THEIR WRITTEN PERMISSION.

MATERIAL & FINISH:
 SEE ABOVE

TITLE: 1mm POWER CONNECTOR SIL CRIMP HOUSING WITH POTTING WALL MALE ASSEMBLY

DRAWING NUMBER:
M300-3250396M1

SHT
 2 OF 2

| | | | |
|-----------------------|------|----------|-------|
| RTP | 3 | 05.12.24 | 35312 |
| NAME | ISS. | DATE | CN/CO |
| APPROVED: R.PORTLOCK | | | |
| CHECKED: A.BOXALL | | | |
| DRAWN: MARK G PLESTED | | | |