

Customer Information Sheet

IF IN DOUBT - ASK

©

NOT TO SCALE

THIRD ANGLE PROJECTION

ALL DIMENSIONS IN mm

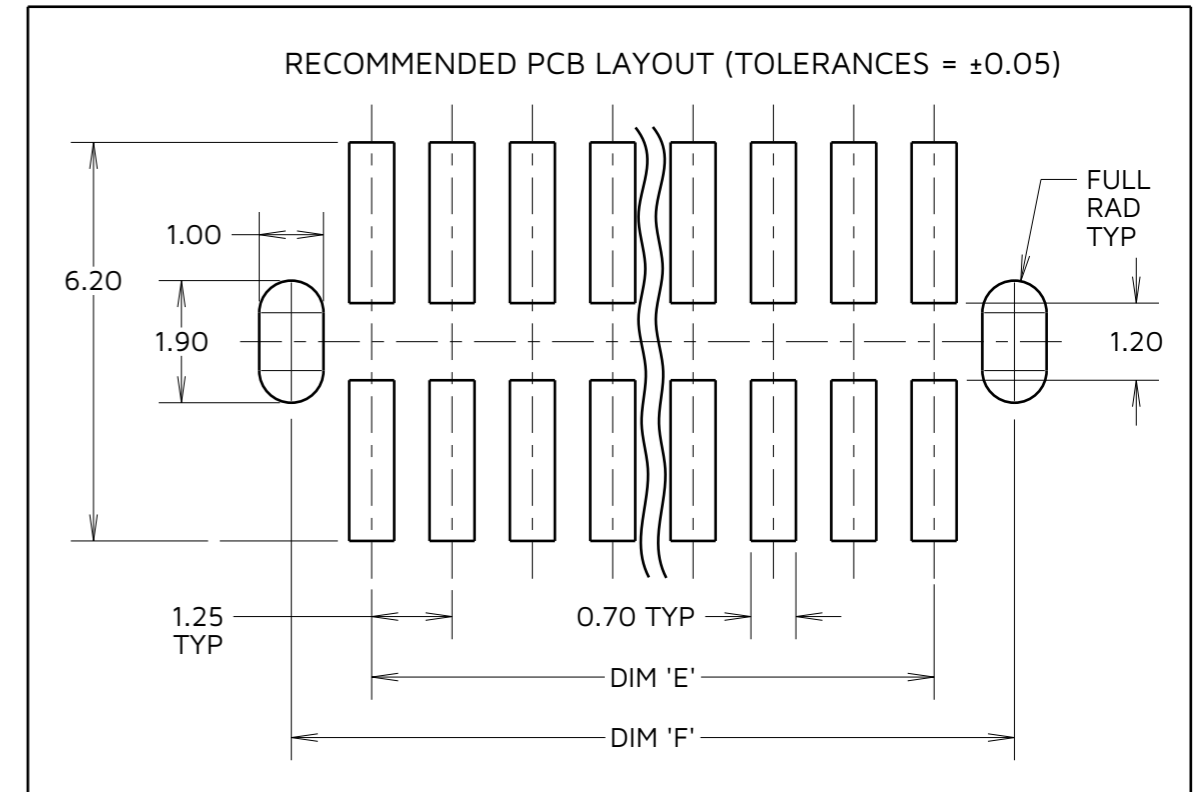
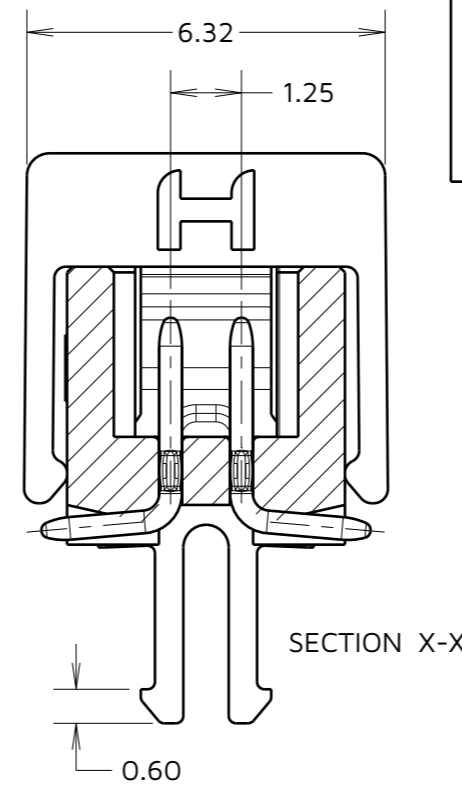
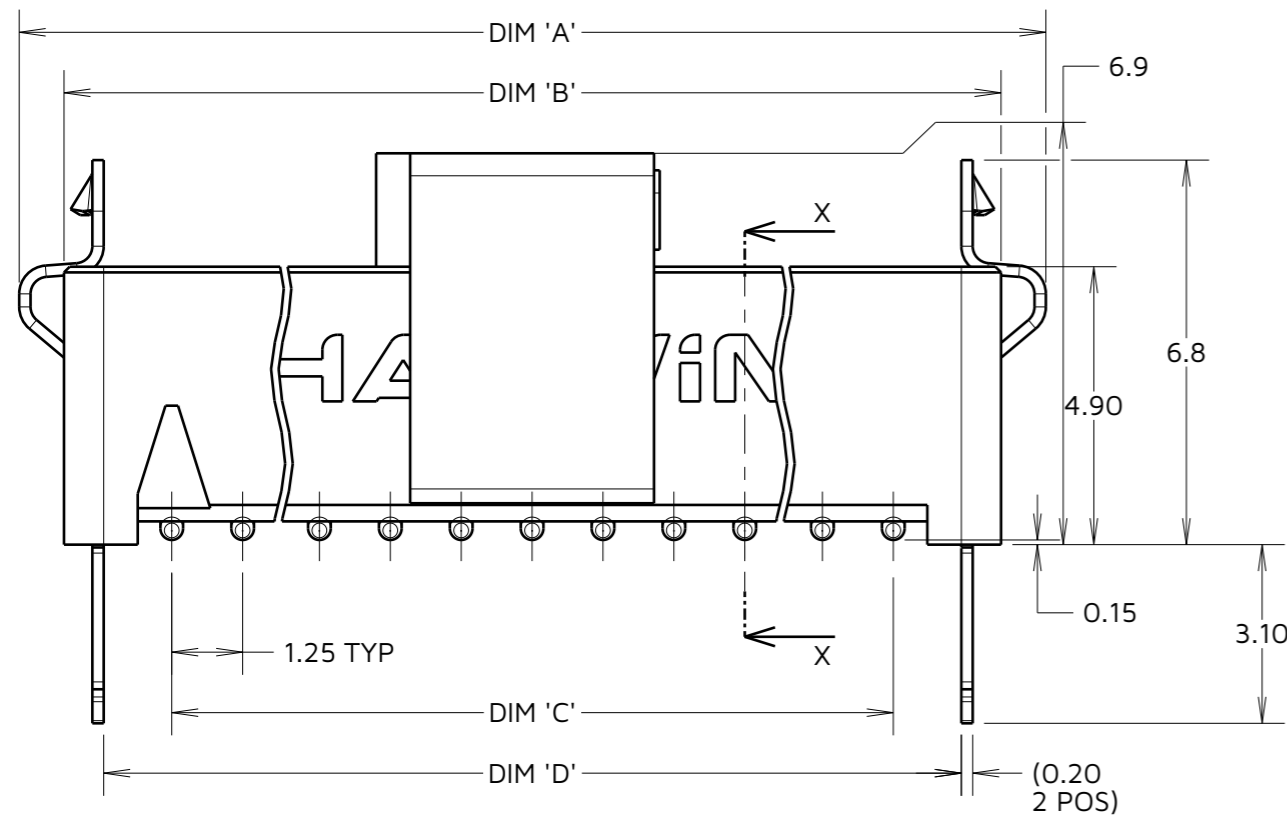
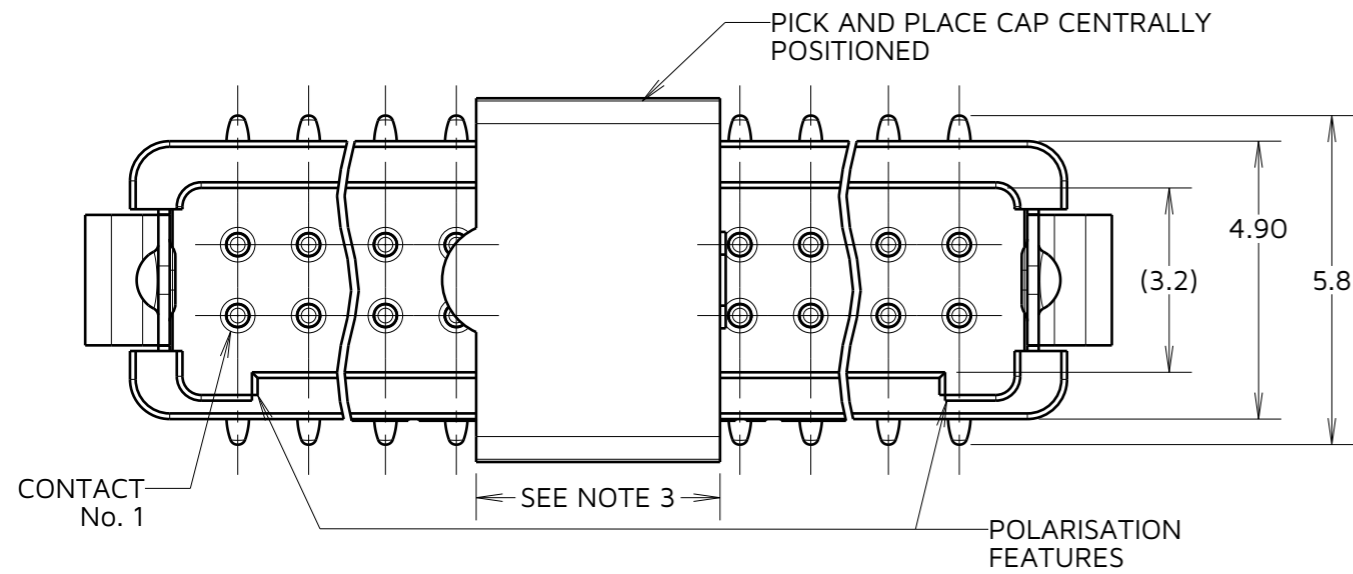


TABLE 1: DIMENSION VARIANTS

PART No.	DIM 'A'	DIM 'B'	DIM 'C'	DIM 'D'	DIM 'E'	DIM 'F'
G125-MS10605L2R	7.70	6.30	2.50	4.90	2.50	5.00
G125-MS11005L2R	10.20	8.80	5.00	7.40	5.00	7.50
G125-MS11205L2R	11.45	10.05	6.25	8.65	6.25	8.75
G125-MS11605L2R	13.95	12.55	8.75	11.15	8.75	11.25
G125-MS12005L2R	16.45	15.05	11.25	13.65	11.25	13.75
G125-MS12605L2R	20.20	18.80	15.00	17.40	15.00	17.50
G125-MS13405L2R	25.20	23.80	20.00	22.40	20.00	22.50
G125-MS15005L2R	35.20	33.80	30.00	32.40	30.00	32.50

CONNECTOR DETAILS
AND PCB LAYOUT ONLY.
SEE SHEET 5
FOR TAPE AND REEL DETAILS.

ORDER CODE:
G125-MS1XX05L2R

TOTAL No. OF CONTACTS:
06, 10, 12, 16, 20, 26, 34, 50

NOTES:

- FOR COMPLETE SPECIFICATION, SEE COMPONENT SPECIFICATION C125XX (LATEST ISSUE).
- CO-PLANARITY OF SMT TAILS NOT TO EXCEED 0.10mm. RECOMMENDED SOLDER PASTE THICKNESS = 0.125mm MIN.
- PICK AND PLACE CAP LENGTH = 4.3mm ON ALL PART NUMBERS EXCEPT G125-MS10605L2R ON THIS PART LENGTH = 3.3mm.

HARWIN

www.harwin.com

TOLERANCES
X. = ±1mm
X.X = ±0.50mm
X.XX = ±0.20mm
X.XXX = ±0.01mm
ANGLES = ±5°
UNLESS STATED

THIS DRAWING AND ANY INFORMATION OR DESCRIPTIVE MATTER SET OUT HEREON ARE CONFIDENTIAL AND COPYRIGHT PROPERTY OF THE HARWIN GROUP AND MUST NOT BE DISCLOSED, LOANED, COPIED OR USED FOR MANUFACTURING, TENDERING OR FOR ANY OTHER PURPOSE WITHOUT THEIR WRITTEN PERMISSION.

MATERIAL & FINISH:
SEE NOTE 1

TITLE: **GECKO LATCH MALE VERTICAL SMT CONNECTOR ASSEMBLY**
DRAWING NUMBER: **G125-MS1XX05L2R**

MJ	9	14.11.24	34985
NAME	ISS.	DATE	CN/CO
APPROVED: M. JELLEY			
CHECKED: A. BOXALL			
DRAWN: S.FLOWER			

Customer Information Sheet

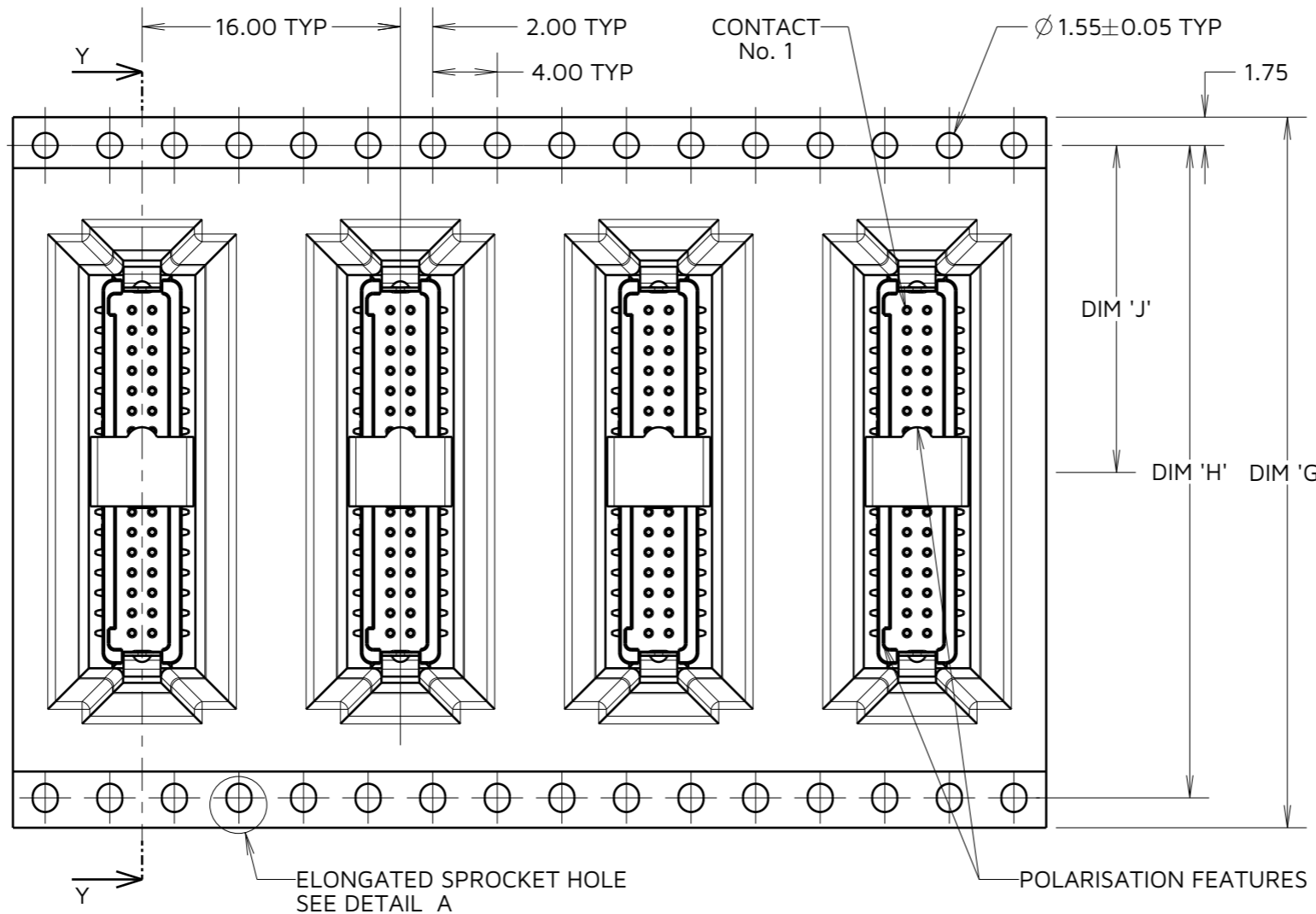
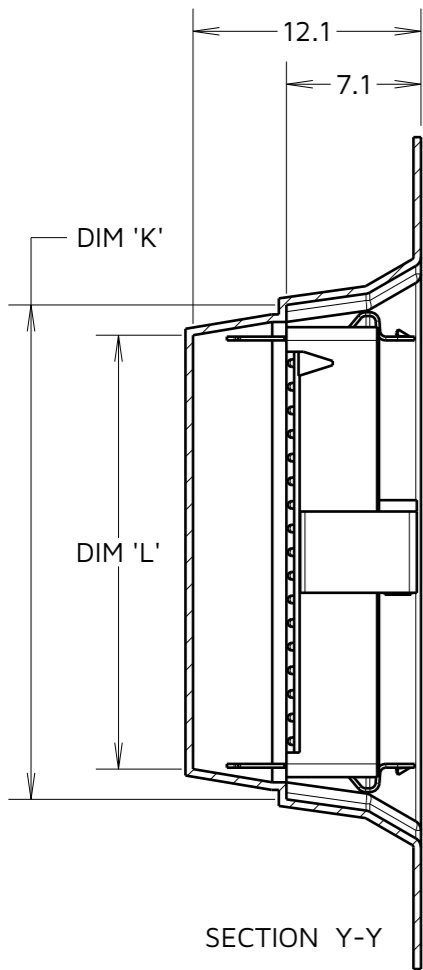
IF IN DOUBT - ASK

©

NOT TO SCALE

THIRD ANGLE PROJECTION

ALL DIMENSIONS IN mm



ORDER CODE:
G125-MS1XX05L2R

TOTAL No. OF CONTACTS:
06, 10, 12, 16, 20, 26, 34, 50

DETAIL A
SEE NOTE 8

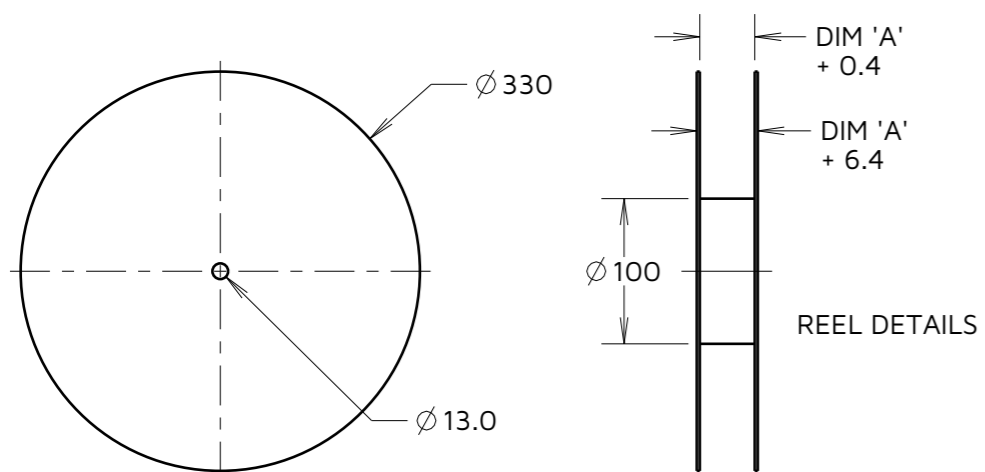
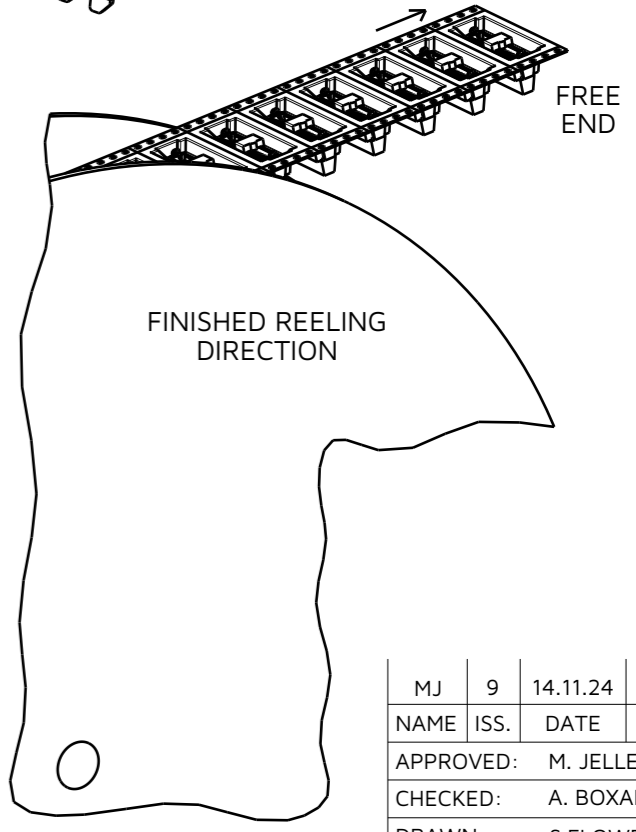
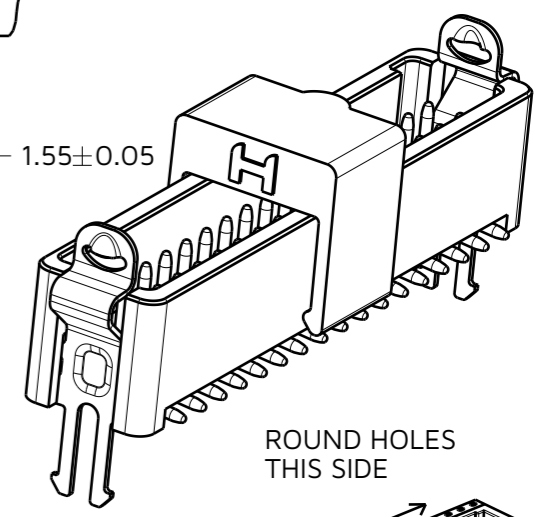
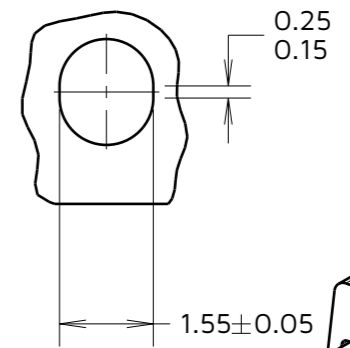


TABLE 2: DIMENSION VARIANTS

PART No.	DIM 'G'	DIM 'H'	DIM 'J'	DIM 'K'	DIM 'L'
G125-MS10605L2R	24.0±0.3	NO ELONGATED HOLE	11.50	(8.7)	(5.5)
G125-MS11005L2R				(11.2)	(8.0)
G125-MS11205L2R	32.0±0.3	28.40	14.20	(12.4)	(9.2)
G125-MS11605L2R				(14.9)	(11.7)
G125-MS12005L2R	44.0±0.3	40.40	20.2±0.15	(17.4)	(14.2)
G125-MS12605L2R				(21.2)	(18.0)
G125-MS13405L2R				(26.2)	(23.0)
G125-MS15005L2R	56.0±0.3	52.40	26.2±0.15	(36.2)	(33.0)

- NOTES:
- QUANTITY OF COMPONENTS PER REEL = 250.
 - FOR OTHER QUANTITIES SEE G125-MS1XX05L2P.
 - THIS PRODUCT IS TAPED AND REELED IN ACCORDANCE WITH EIA-481-2-A (ELECTRONIC INDUSTRIES ASSOCIATION).
 - COMPONENTS ARE ORIENTATED IN TAPE POCKETS SO THAT THE POLARISING FEATURES ARE FACING AWAY FROM THE FREE END.
 - ELONGATED SPROCKET HOLE NOT PRESENT ON 06 & 10 POSITIONS.

HARWIN
www.harwin.com

TOLERANCES
X. = ±1mm
X.X = ±0.50mm
X.XX = ±0.20mm
X.XXX = ±0.01mm
ANGLES = ±5°
UNLESS STATED

THIS DRAWING AND ANY INFORMATION OR DESCRIPTIVE MATTER SET OUT HEREON ARE CONFIDENTIAL AND COPYRIGHT PROPERTY OF THE HARWIN GROUP AND MUST NOT BE DISCLOSED, LOANED, COPIED OR USED FOR MANUFACTURING, TENDERING OR FOR ANY OTHER PURPOSE WITHOUT THEIR WRITTEN PERMISSION.

MATERIAL & FINISH:
SEE NOTE 4

TITLE: **GECKO LATCH MALE VERTICAL SMT CONNECTOR ASSEMBLY**

DRAWING NUMBER:
G125-MS1XX05L2R

MJ	9	14.11.24	34985
NAME	ISS.	DATE	CN/CO
APPROVED:		M. JELLEY	
CHECKED:		A. BOXALL	
DRAWN:		S.FLOWER	