

Customer Information Sheet

IF IN DOUBT - ASK

©

NOT TO SCALE

THIRD ANGLE PROJECTION

ALL DIMENSIONS IN mm

SPECIFICATIONS:

MATERIAL:

HOUSING = G-F PPS UL94V-0, BLACK
 CONTACTS = PHOSPHOR BRONZE
 PICK & PLACE CAP = PHOSPHOR BRONZE

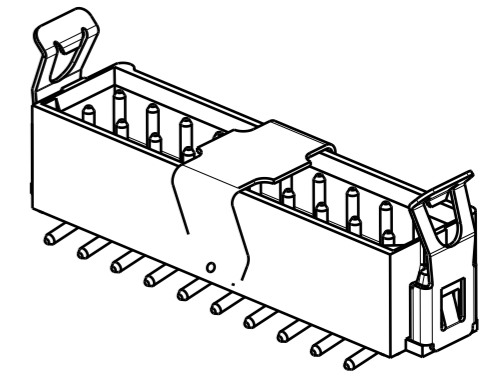
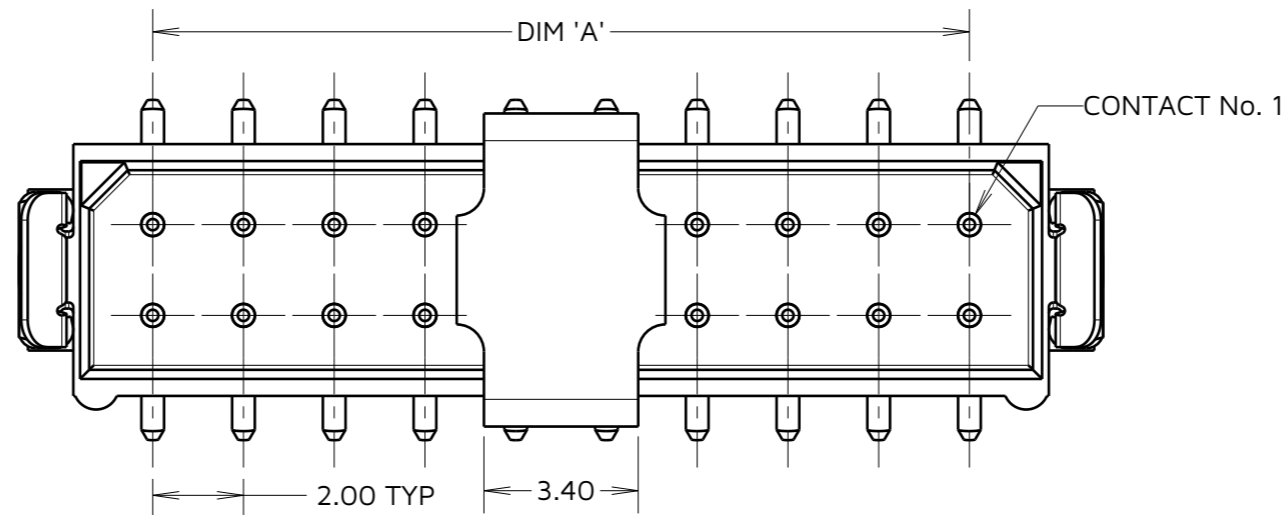
FINISH:

CONTACTS:
 ALL FINISHES = NICKEL UNDERCOAT
 22 = GOLD ON CONTACT AREA,
 90/10 TIN/LEAD ON TAILS
 42 = GOLD ON CONTACT AREA,
 100% TIN ON TAILS
 45 = GOLD ALL OVER

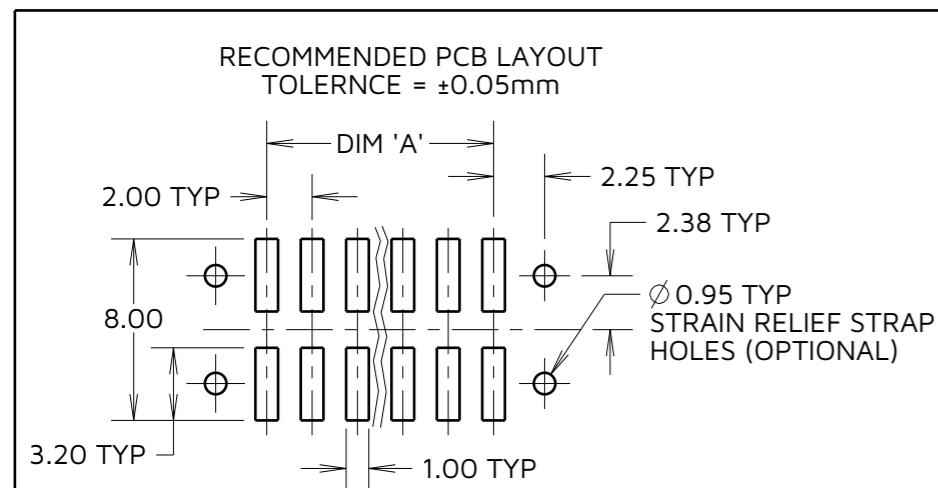
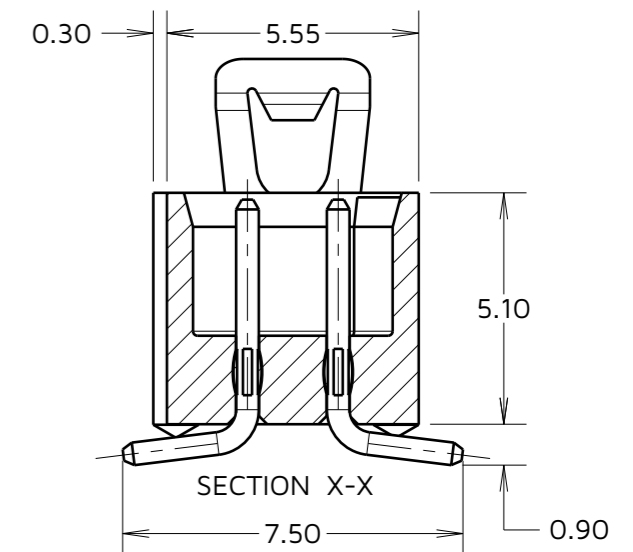
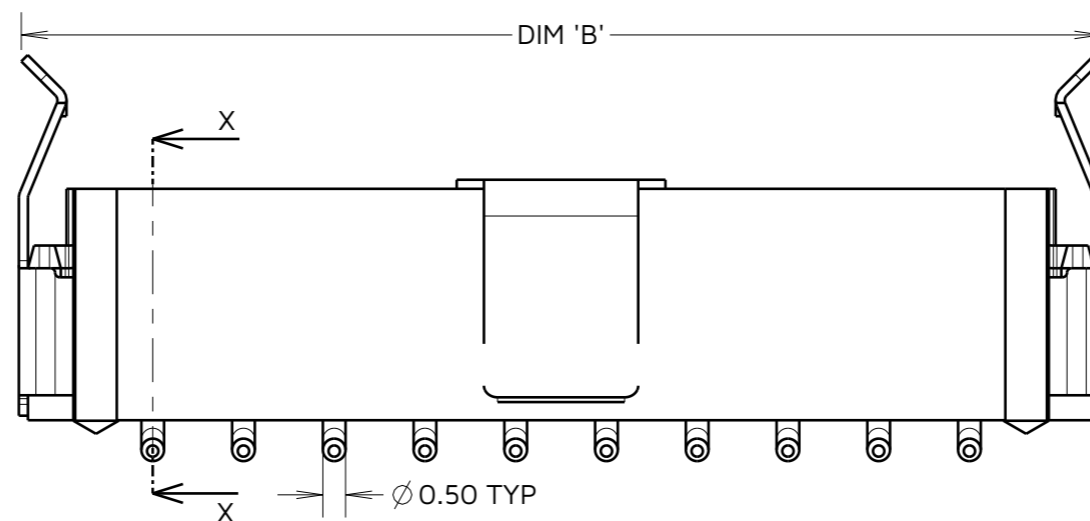
LATCH = NICKEL

PACKING:

TUBE
 FOR COMPLETE SPECIFICATION, SEE COMPONENT
 SPECIFICATION C005XX (LATEST ISSUE)



PART No.	WEIGHT (g)
M80-82804XXP	0.42
M80-82806XXP	0.49
M80-82808XXP	0.56
M80-82810XXP	0.63
M80-82812XXP	0.70
M80-82814XXP	0.77
M80-82816XXP	0.84
M80-82818XXP	0.91
M80-82820XXP	0.98
M80-82826XXP	1.20
M80-82834XXP	1.48



DIMENSION	CALCULATION
DIM 'A'	TOTAL No. OF CONTACTS - 2.00
DIM 'B'	TOTAL No. OF CONTACTS + 3.80

EXAMPLE CONNECTOR DIMENSION
 M80-82820XXP
 DIM 'A' = 18.00mm, DIM 'B' = 23.80mm

ORDER CODE:
M80-828XXXXP

TOTAL No. OF WAYS
 04, 06, 08, 10, 12
 14, 16, 18, 20, 26
 34

FINISH
 22 - SELECTIVE GOLD
 + TIN/LEAD
 42 - SELECTIVE GOLD
 + 100% TIN
 45 - GOLD

MJ	13	23.12.24	35293
NAME	ISS.	DATE	CN/CO
APPROVED:	M. JELLEY		
CHECKED:	R. ALEXANDER		
DRAWN:	J. EVANS		

NOTES:
 1. 2-OFF STRAIN RELIEF STRAPS M80-0030006 MAY BE USED WITH THIS CONNECTOR.

HARWIN

www.harwin.com

TOLERANCES
 X. = ±1mm
 X.X = ±0.50mm
 X.XX = ±0.20mm
 X.XXX = ±0.01mm
 ANGLES = ±5°
 UNLESS STATED

THIS DRAWING AND ANY
 INFORMATION OR DESCRIPTIVE
 MATTER SET OUT HEREON ARE
 CONFIDENTIAL AND COPYRIGHT
 PROPERTY OF THE HARWIN GROUP
 AND MUST NOT BE DISCLOSED,
 LOANED, COPIED OR USED FOR
 MANUFACTURING, TENDERING OR FOR
 ANY OTHER PURPOSE WITHOUT THEIR
 WRITTEN PERMISSION.

MATERIAL & FINISH:
 SEE ABOVE

TITLE: **DATAMATE L-TEK
 MALE DIL VERTICAL SMT
 ASSEMBLY - LATCHED, P/PLACE**

DRAWING NUMBER:
M80-828XXXXP

SHT
 2 OF 2