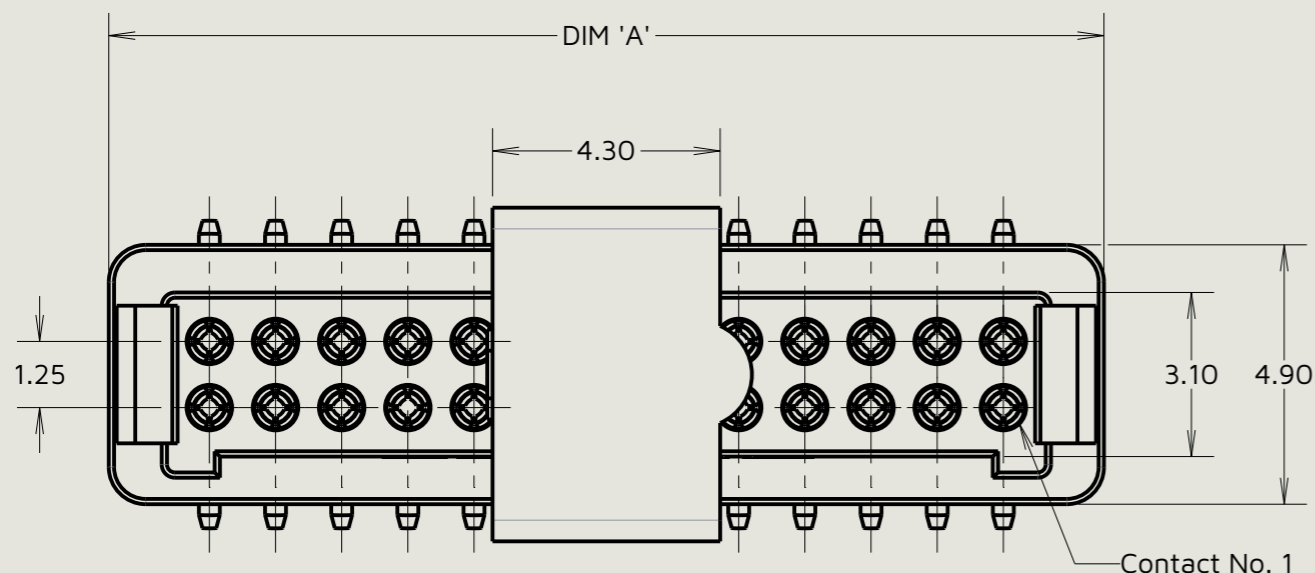
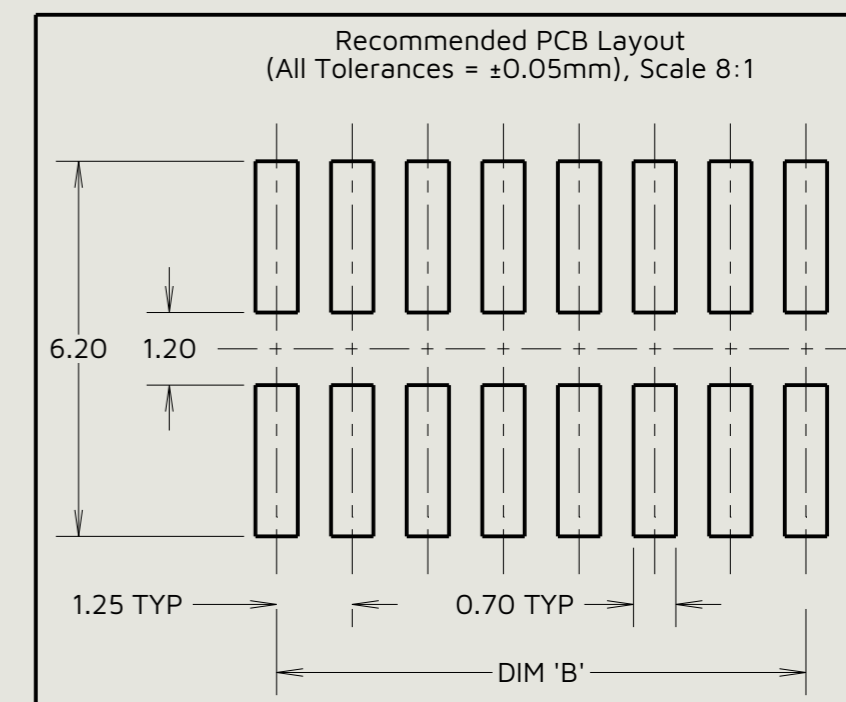
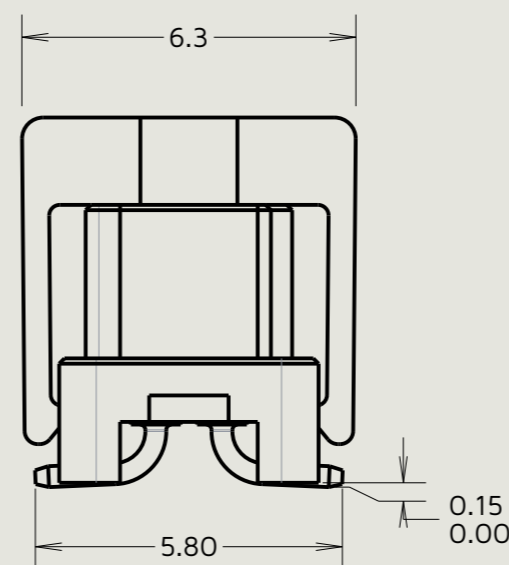
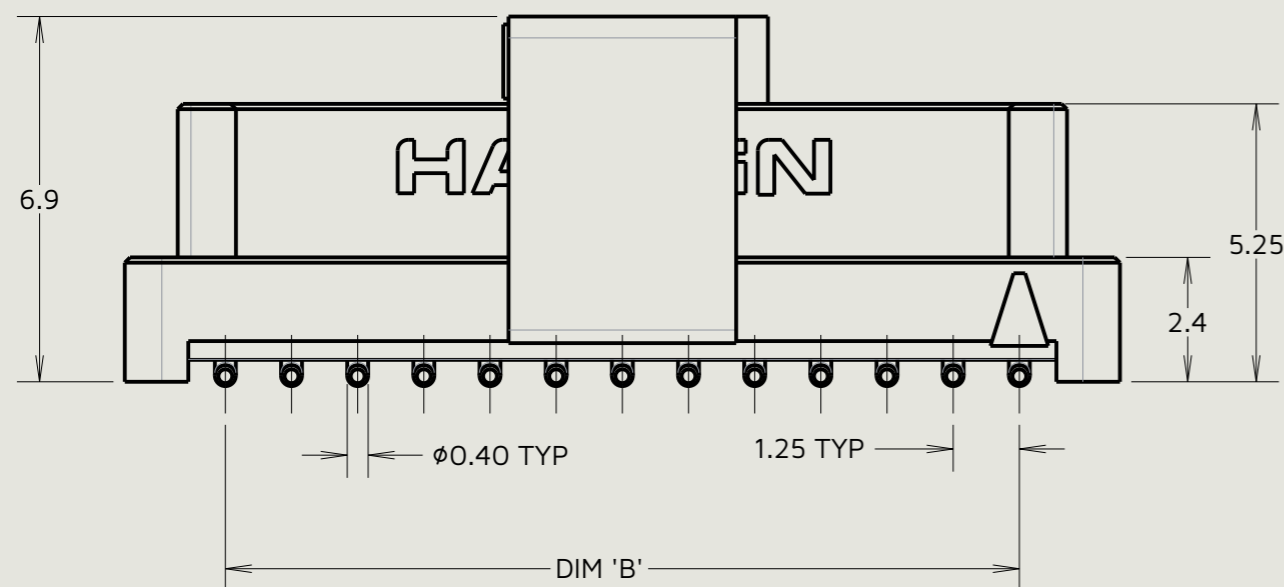
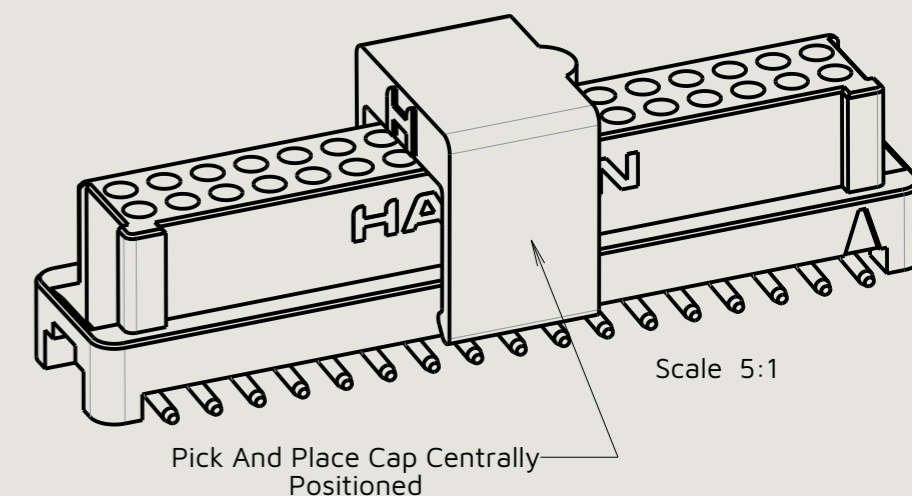


# Customer Information Sheet



Part No.	DIM 'A'	DIM 'B'
G125-FS10605LOP	6.30	2.50
G125-FS11005LOP	8.80	5.00
G125-FS11205LOP	10.05	6.25
G125-FS11605LOP	12.55	8.75
G125-FS12005LOP	15.05	11.25
G125-FS12605LOP	18.80	15.00
G125-FS13405LOP	23.80	20.00
G125-FS15005LOP	33.80	30.00



Connector Details And PCB Layout Only. See Sheet 5 For Tape And Strip Details.

Order Code: **G125-FS1XX05LOP**  
 Total No. Of Contacts: 06, 10, 12, 16, 20, 26, 34 & 50.

MJ	7	28.01.26	37709
Initials	Rev.	Date	CO
SF	1	22.11.23	12281

NOTES:  
 1. For complete specification, see Component Specification C125XX (latest issue).  
 2. Co-planarity of SMT tails should not exceed 0.10mm. Recommended solder paste thickness = 0.125mm.

 www.harwin.com	This drawing and any information or descriptive matter set out hereon are confidential and copyright property of the Harwin group and must not be disclosed, loaned, copied or used for manufacturing, tendering or for any other purpose without their written permission.	TOLERANCES X. = ±0.50mm X.X = ±0.30mm X.XX = ±0.10mm X.XXX = ±0.01mm Angles = ±5° Unless stated	Third angle projection 	MATERIAL: See Note 1	Title: Gecko Female Receptacle Straight Latch Connector Assembly
		Sheet scale: 7:1 Do not scale Sheet size: A3	FINISH: See Note 1	Drawing number: <b>G125-FS1XX05LOP</b>	SHT 4 OF 5

# Customer Information Sheet

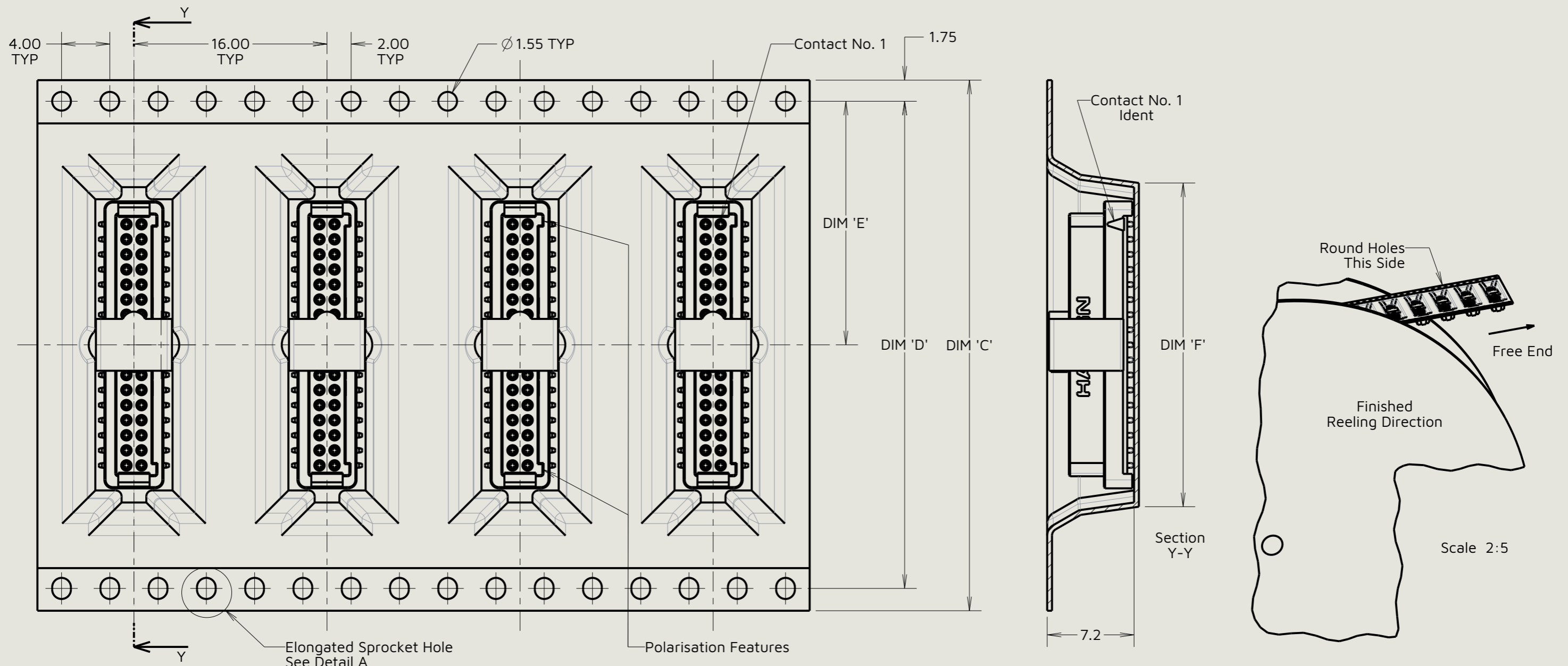
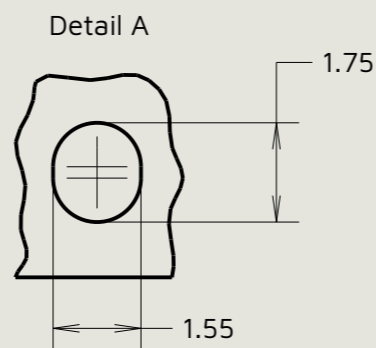


Table 2: Tape And Reel Dimension Variants

Loose Part No.	DIM 'C'	DIM 'D'	DIM 'E'	DIM 'F'
G125-FS10605LOP	24.0	No Elongated Hole	11.50	(8.6)
G125-FS11005LOP		(11.1)		
G125-FS11205LOP	32.0	28.40	14.20	(12.4)
G125-FS11605LOP				(14.9)
G125-FS12005LOP	44.0	40.40	20.2±0.15	(18.1)
G125-FS12605LOP				(21.9)
G125-FS13405LOP				(26.9)
G125-FS15005LOP				(36.1)



Order Code: **G125-FS1XX05LOP**

Total No. Of Contacts: 06, 10, 12, 16, 20, 26, 34 & 50.

MJ	7	28.01.26	37709
Initials	Rev.	Date	CO
SF	1	22.11.23	12281

NOTES:  
 3. Components are oriented in tape pockets as shown.  
 4. Components are supplied in strips of 10.  
 5. Large quantities may be shipped on a reel and may not have a leader.  
 6. For parts on reel suitable for automatic machine placement please order: G125-FS1XX05LOR.



This drawing and any information or descriptive matter set out hereon are confidential and copyright property of the Harwin group and must not be disclosed, loaned, copied or used for manufacturing, tendering or for any other purpose without their written permission.

**TOLERANCES**  
 X. = ±0.50mm  
 X.X = ±0.30mm  
 X.XX = ±0.10mm  
 X.XXX = ±0.01mm  
 Angles = ±5°  
 Unless stated

Third angle projection  
  
 Sheet scale: 3:1  
 Do not scale  
 Sheet size: A3

**MATERIAL:**  
 See Sheet 4 Note 1  
**FINISH:**  
 See Sheet 4 Note 1

**Title:**  
 Gecko Female Receptacle Straight Latch Connector Assembly  
**Drawing number:**  
**G125-FS1XX05LOP**  
 SHT 5 OF 5