

Customer Information Sheet

IF IN DOUBT - ASK

©

NOT TO SCALE

THIRD ANGLE PROJECTION

ALL DIMENSIONS IN mm

SPECIFICATIONS:
MATERIAL:
 HOUSING = GLASS-FILLED PPS,
 UL94V-0, BLACK
 CONTACT = PHOSPHOR BRONZE
 JACKSCREW = STAINLESS STEEL
FINISH (CONTACTS):
 22 = GOLD ON CONTACT AREA,
 90/10 TIN/LEAD ON TAILS
 42 = GOLD ON CONTACT AREA,
 100% TIN ON TAILS
 05 = GOLD ALL OVER NICKEL
PACKING: TUBE
 FOR COMPLETE SPECIFICATION, SEE
 COMPONENT SPECIFICATION C005XX
 (LATEST ISSUE)

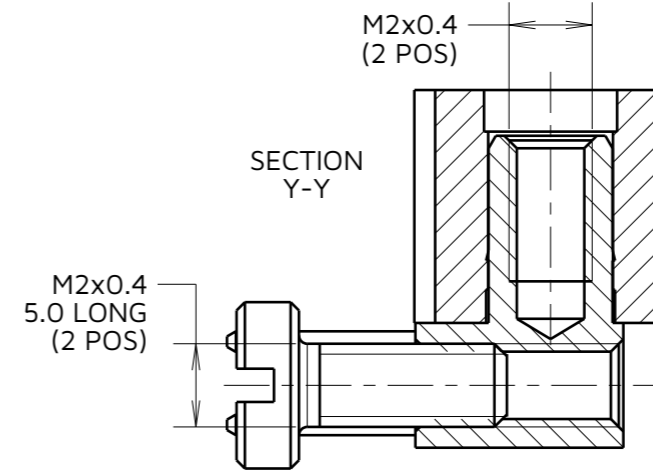
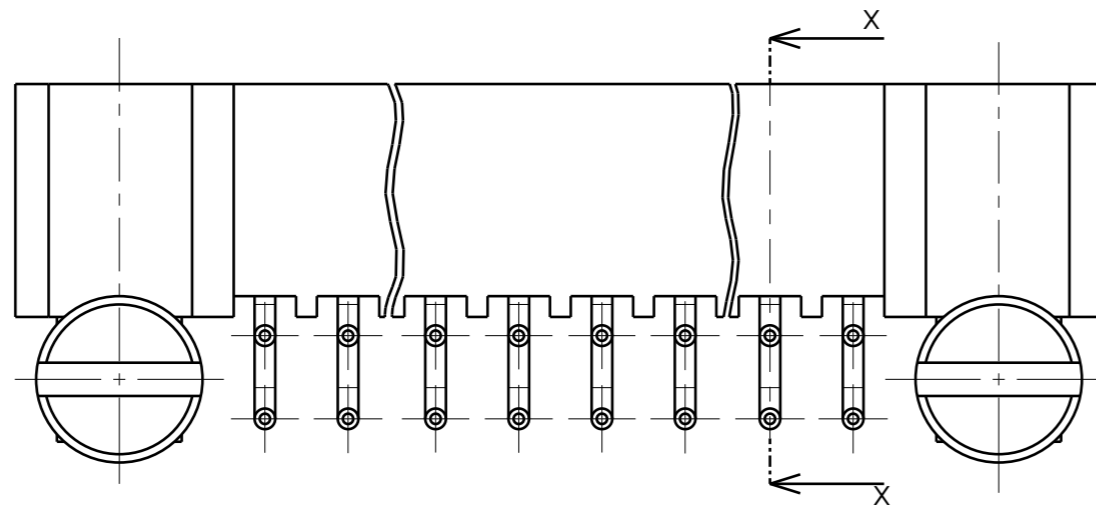
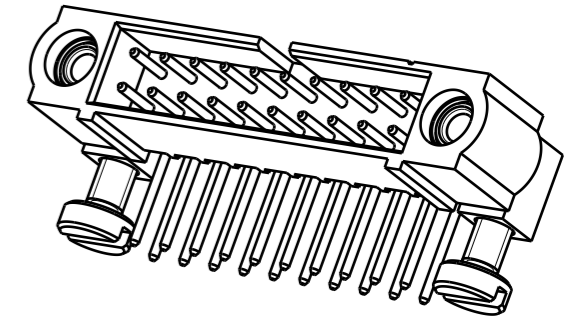
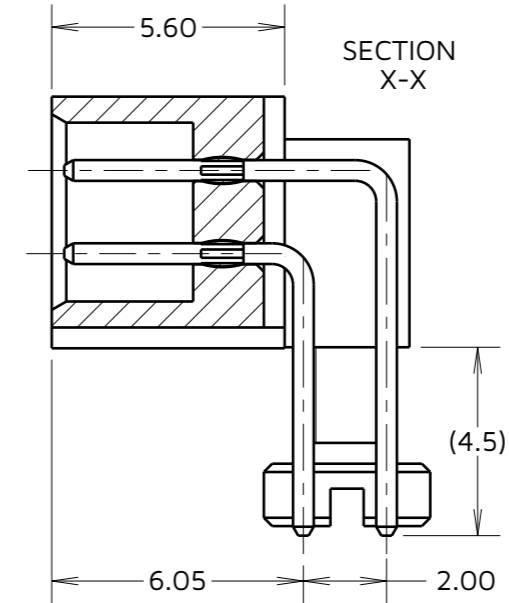
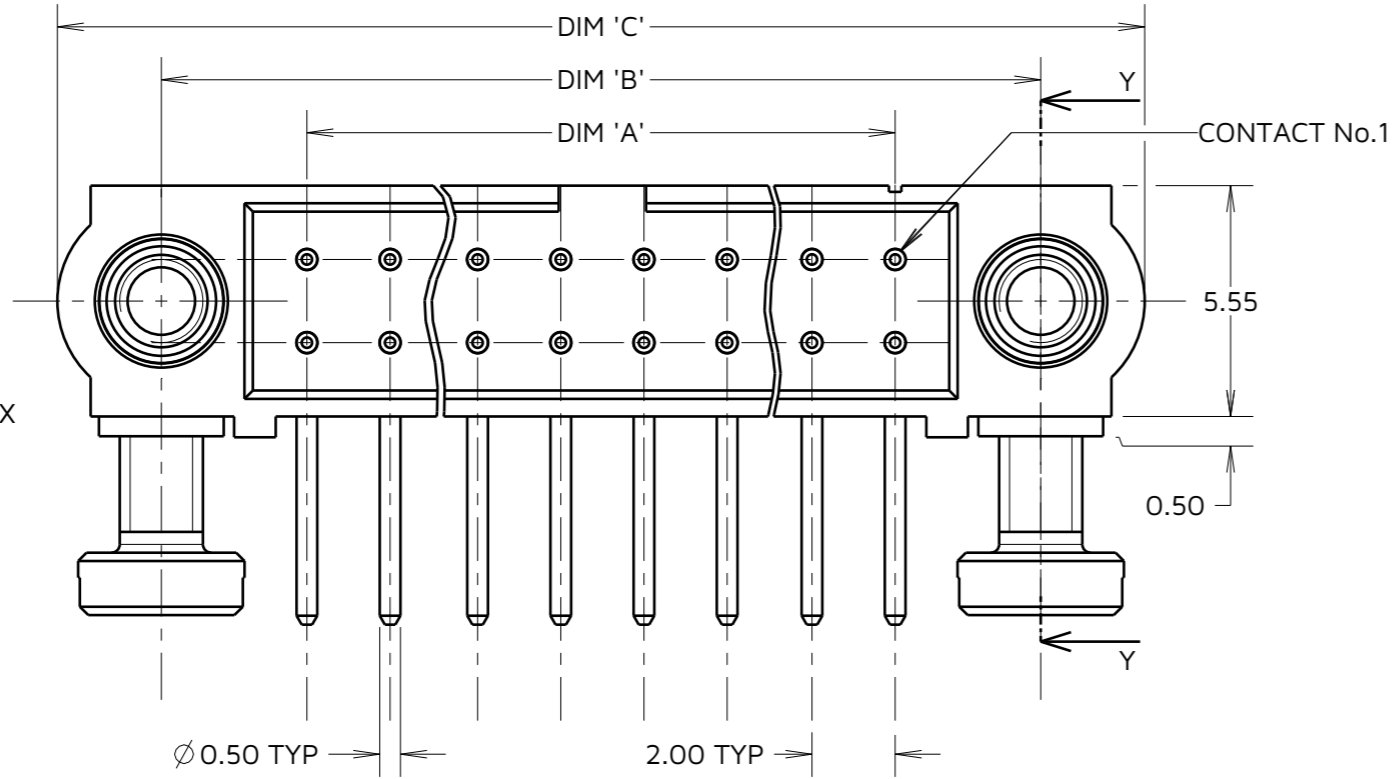
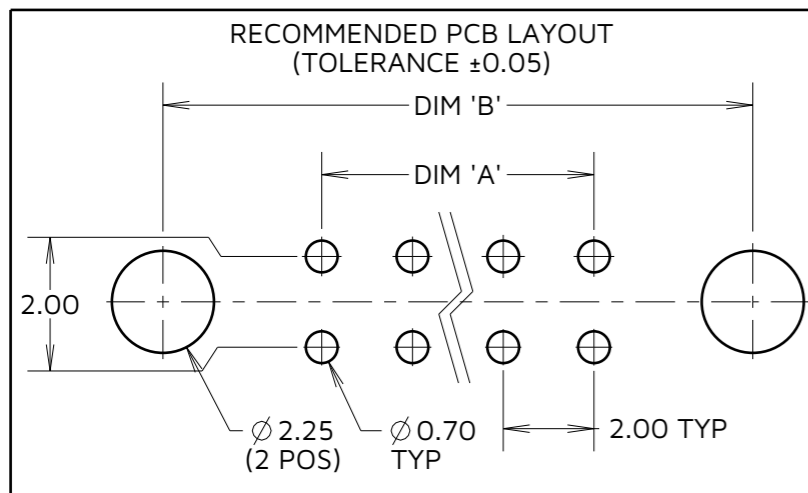


TABLE 1: DIMENSION VARIANTS

PART No.	DIM 'A'	DIM 'B'	DIM 'C'
M80-54104XX	2.00	9.00	14.00
M80-54106XX	4.00	11.00	16.00
M80-54108XX	6.00	13.00	18.00
M80-54110XX	8.00	15.00	20.00
M80-54112XX	10.00	17.00	22.00
M80-54114XX	12.00	19.00	24.00
M80-54116XX	14.00	21.00	26.00
M80-54118XX	16.00	23.00	28.00
M80-54120XX	18.00	25.00	30.00
M80-54122XX	20.00	27.00	32.00
M80-54124XX	22.00	29.00	34.00
M80-54126XX	24.00	31.00	36.00
M80-54128XX	26.00	33.00	38.00
M80-54130XX	28.00	35.00	40.00
M80-54132XX	30.00	37.00	42.00
M80-54134XX	32.00	39.00	44.00
M80-54136XX	34.00	41.00	46.00
M80-54138XX	36.00	43.00	48.00
M80-54140XX	38.00	45.00	50.00
M80-54142XX	40.00	47.00	52.00
M80-54144XX	42.00	49.00	54.00
M80-54146XX	44.00	51.00	56.00
M80-54148XX	46.00	53.00	58.00
M80-54150XX	48.00	55.00	60.00



NOTES:
 1. BOARD MOUNT SCREWS SUPPLIED LOOSE IN A BAG NOT AS SHOWN.

ORDER CODE: **M80-541XXXX**

TOTAL No. OF CONTACTS _____
 04 TO 50
 (EVEN NUMBERS ONLY)

FINISH _____
 22 - SELECTIVE GOLD + TIN/LEAD
 42 - SELECTIVE GOLD + 100% TIN
 05 - GOLD ALL OVER

MJ	3	06.11.24	34803
NAME	ISS.	DATE	CN/CO
APPROVED: M. JELLEY			
CHECKED: A. YEOMANS			
DRAWN: W. J. BOURNE			

HARWIN

www.harwin.com

TOLERANCES
 X. = ±1mm
 X.X = ±0.50mm
 X.XX = ±0.20mm
 X.XXX = ±0.01mm
 ANGLES = ±5°
 UNLESS STATED

THIS DRAWING AND ANY INFORMATION OR DESCRIPTIVE MATTER SET OUT HEREON ARE CONFIDENTIAL AND COPYRIGHT PROPERTY OF THE HARWIN GROUP AND MUST NOT BE DISCLOSED, LOANED, COPIED OR USED FOR MANUFACTURING, TENDERING OR FOR ANY OTHER PURPOSE WITHOUT THEIR WRITTEN PERMISSION.

MATERIAL & FINISH:
 SEE ABOVE

TITLE: DATAMATE J-TEK DIL
 HORIZ 4.5mm PC TAIL MALE ASSY
 WITH BOARD MOUNT

DRAWING NUMBER:
M80-541XXXX

SHT
 2 OF 2