

Customer Information Sheet

IF IN DOUBT - ASK

©

NOT TO SCALE

THIRD ANGLE PROJECTION

ALL DIMENSIONS IN mm

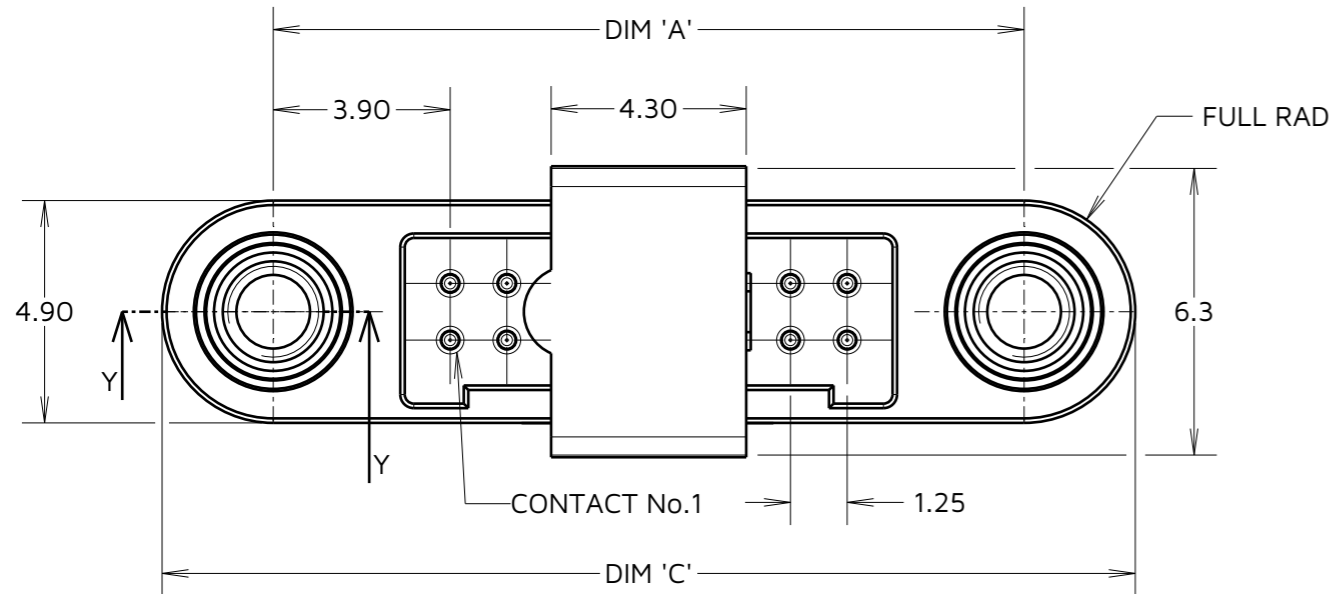
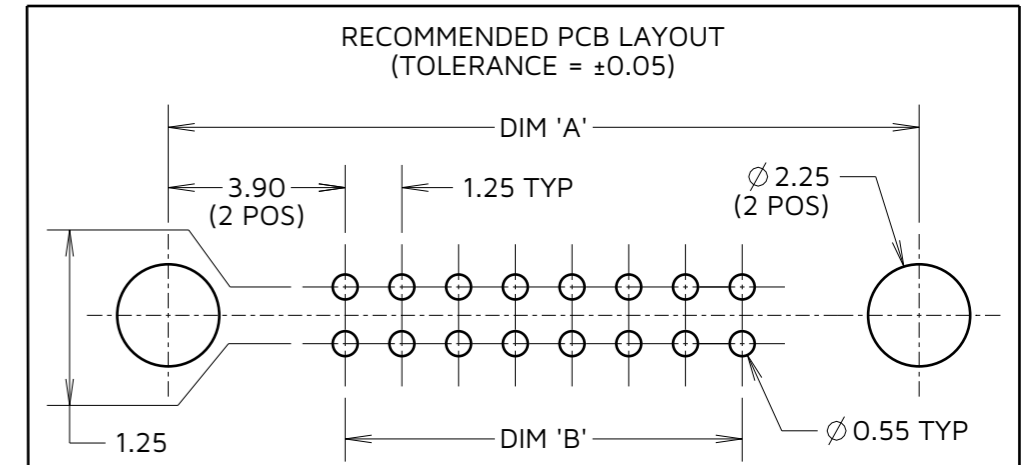
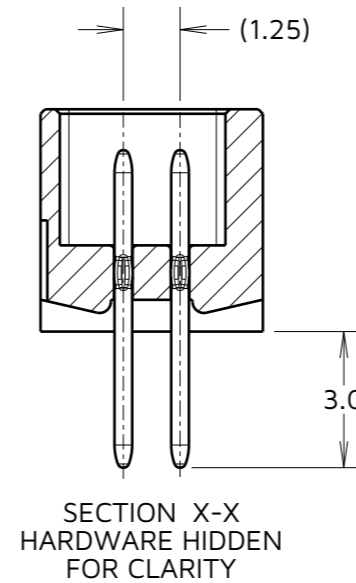
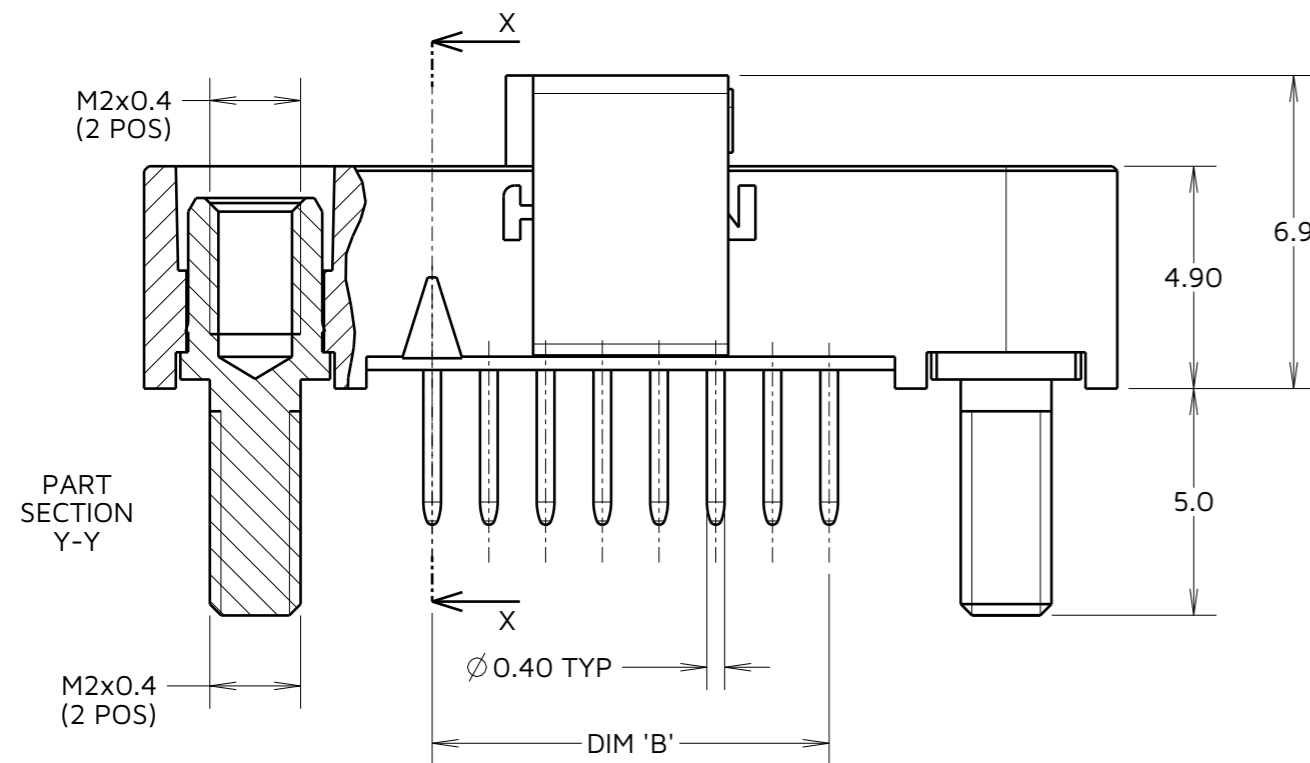
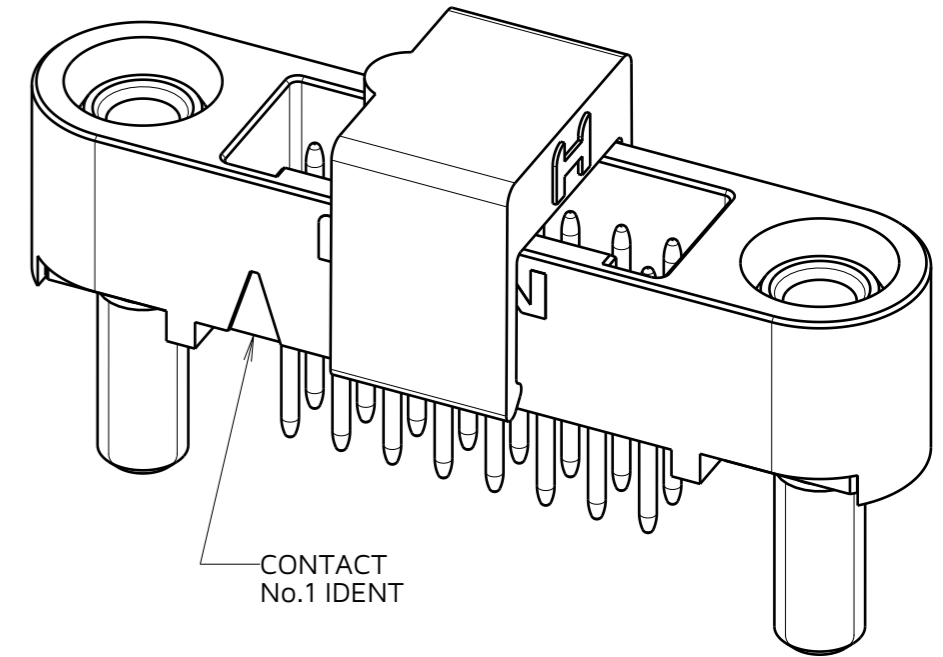


TABLE 1: DIMENSION VARIANTS			
PART No.	DIM 'A'	DIM 'B'	DIM 'C'
G125-MV10605M2P	10.30	2.50	15.20
G125-MV11005M2P	12.80	5.00	17.70
G125-MV11205M2P	14.05	6.25	18.95
G125-MV11605M2P	16.55	2.50	21.45
G125-MV12005M2P	19.05	11.25	23.95
G125-MV12605M2P	22.80	2.50	2.50
G125-MV13405M2P	27.80	20.00	32.70
G125-MV15005M2P	37.80	30.00	42.70



CONNECTOR AND PCB LAYOUT DETAILS ONLY.
SEE SHEET 5 FOR TAPE STRIP DETAILS.

ORDER CODE:

G125-MV1XX05M2P

TOTAL No. OF CONTACTS
06, 10, 12, 16, 20,
26, 34 & 50.

MJ	3	27.02.25	35481
NAME	ISS.	DATE	CN/CO
APPROVED:		M. JELLEY	
CHECKED:		J. DEAN	
DRAWN:		MARK G PLESTED	

NOTES:

- FOR MATERIALS, FINISH AND SPECIFICATIONS SEE GECKO COMPONENT SPECIFICATION C125XX (LATEST ISSUE).
- DRAWING SHOWS CONNECTOR WITH 16 CONTACTS.
- FOR BOARD MOUNT NUTS, ORDER SEPARATELY. PART NUMBER:
G125-4500000B HEXAGONAL THIN NUT - BAG OF 12 OR
G125-4510000B ROUND SLOTTED NUT - BAG OF 12.

HARWIN

www.harwin.com

TOLERANCES
X. = ±1mm
X.X = ±0.50mm
X.XX = ±0.20mm
X.XXX = ±0.01mm
ANGLES = ±5°
UNLESS STATED

THIS DRAWING AND ANY INFORMATION OR DESCRIPTIVE MATTER SET OUT HEREON ARE CONFIDENTIAL AND COPYRIGHT PROPERTY OF THE HARWIN GROUP AND MUST NOT BE DISCLOSED, LOANED, COPIED OR USED FOR MANUFACTURING, TENDERING OR FOR ANY OTHER PURPOSE WITHOUT THEIR WRITTEN PERMISSION.

MATERIAL & FINISH:
SEE ABOVE

TITLE:
GECKO SL SERIES MALE
VERTICAL PCT CONNECTOR

DRAWING NUMBER:
G125-MVXXX05M2P

SHT
4 OF
5

Customer Information Sheet

IF IN DOUBT - ASK

©

NOT TO SCALE

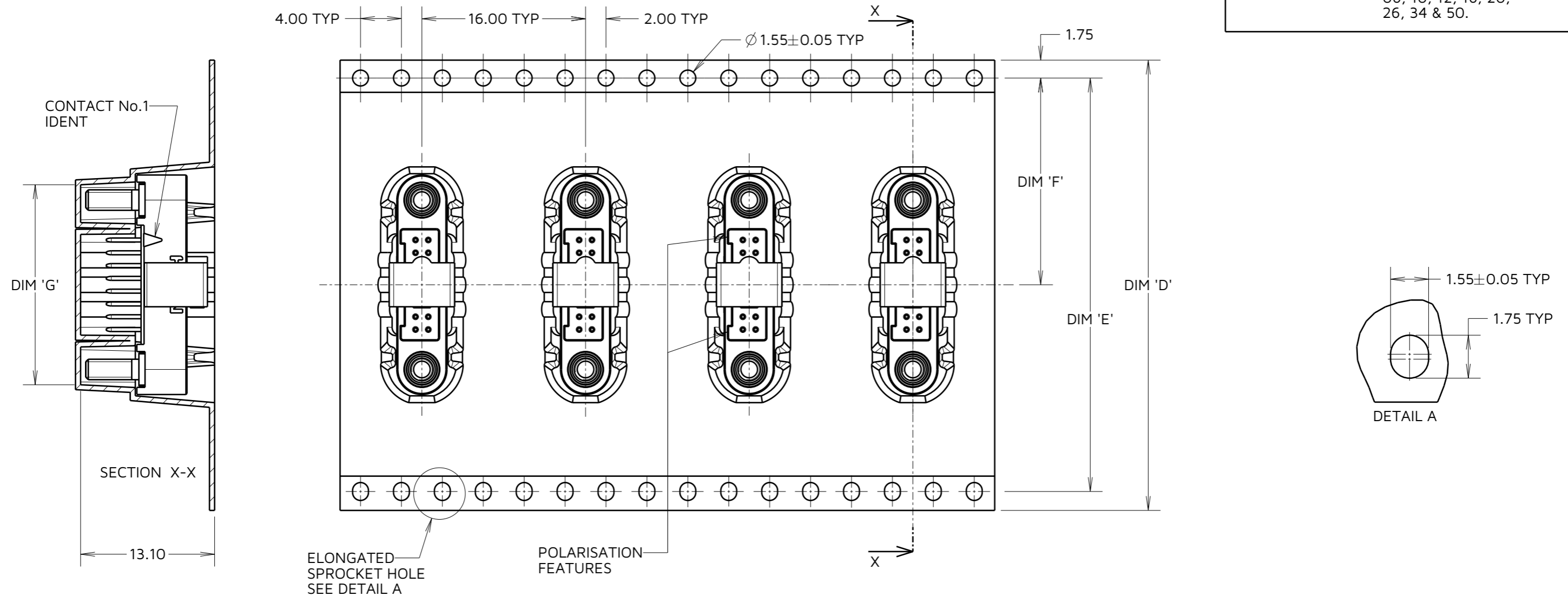
THIRD ANGLE PROJECTION

ALL DIMENSIONS IN mm

ORDER CODE:

G125-MV1XX05M2P

TOTAL No. OF CONTACTS
06, 10, 12, 16, 20,
26, 34 & 50.



NOTES:

- COMPONENTS ARE ORIENTED IN TAPE POCKETS AS SHOWN.
- COMPONENTS ARE SUPPLIED IN STRIPS OF TAPE. SUPPLIED QUANTITY MAY CONSIST OF MORE THAN ONE STRIP. STRIP LENGTH MAY VARY.
- LARGE QUANTITIES MAY BE SHIPPED ON A REEL AND MAY NOT HAVE A LEADER.
- FOR PARTS ON REEL SUITABLE FOR AUTOMATIC MACHINE PLACEMENT PLEASE ORDER: G125-MV1XX05M2R.
- COMPONENTS ARE ORIENTATED IN TAPE POCKETS SO THAT THE POLARISING FEATURES ARE FACING AWAY FROM THE FREE END.

TABLE 2: DIMENSION VARIANTS

PART No.	DIM 'D'	DIM 'E'	DIM 'F'	DIM 'G'
G125-MV10605M2P	32.0±0.3	28.40	14.20	13.60
G125-MV11005M2P				16.10
G125-MV11205M2P				17.35
G125-MV11605M2P	44.0±0.3	40.40	20.20±0.15	19.85
G125-MV12005M2P				22.20±0.15
G125-MV12605M2P				26.00±0.15
G125-MV13405M2P	56.0±0.3	52.40	26.20±0.15	30.90±0.15
G125-MV15005M2P				41.00±0.15

MJ	3	27.02.25	35481
NAME	ISS.	DATE	CN/CO
APPROVED:		M. JELLEY	
CHECKED:		J. DEAN	
DRAWN:		MARK G PLESTED	

HARWIN

www.harwin.com

TOLERANCES
X. = ±1mm
X.X = ±0.50mm
X.XX = ±0.20mm
X.XXX = ±0.01mm
ANGLES = ±5°
UNLESS STATED

THIS DRAWING AND ANY INFORMATION OR DESCRIPTIVE MATTER SET OUT HEREON ARE CONFIDENTIAL AND COPYRIGHT PROPERTY OF THE HARWIN GROUP AND MUST NOT BE DISCLOSED, LOANED, COPIED OR USED FOR MANUFACTURING, TENDERING OR FOR ANY OTHER PURPOSE WITHOUT THEIR WRITTEN PERMISSION.

MATERIAL & FINISH:

SEE SHEET 4

TITLE:
GECKO SL SERIES MALE VERTICAL PCT CONNECTOR

DRAWING NUMBER:
G125-MVXXX05M2P

SHT
5 OF 5