

Customer Information Sheet

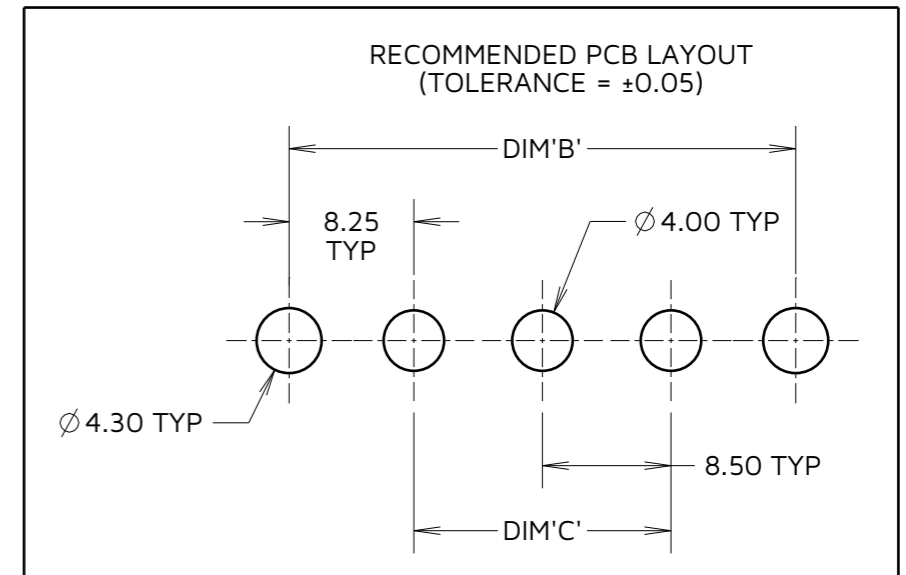
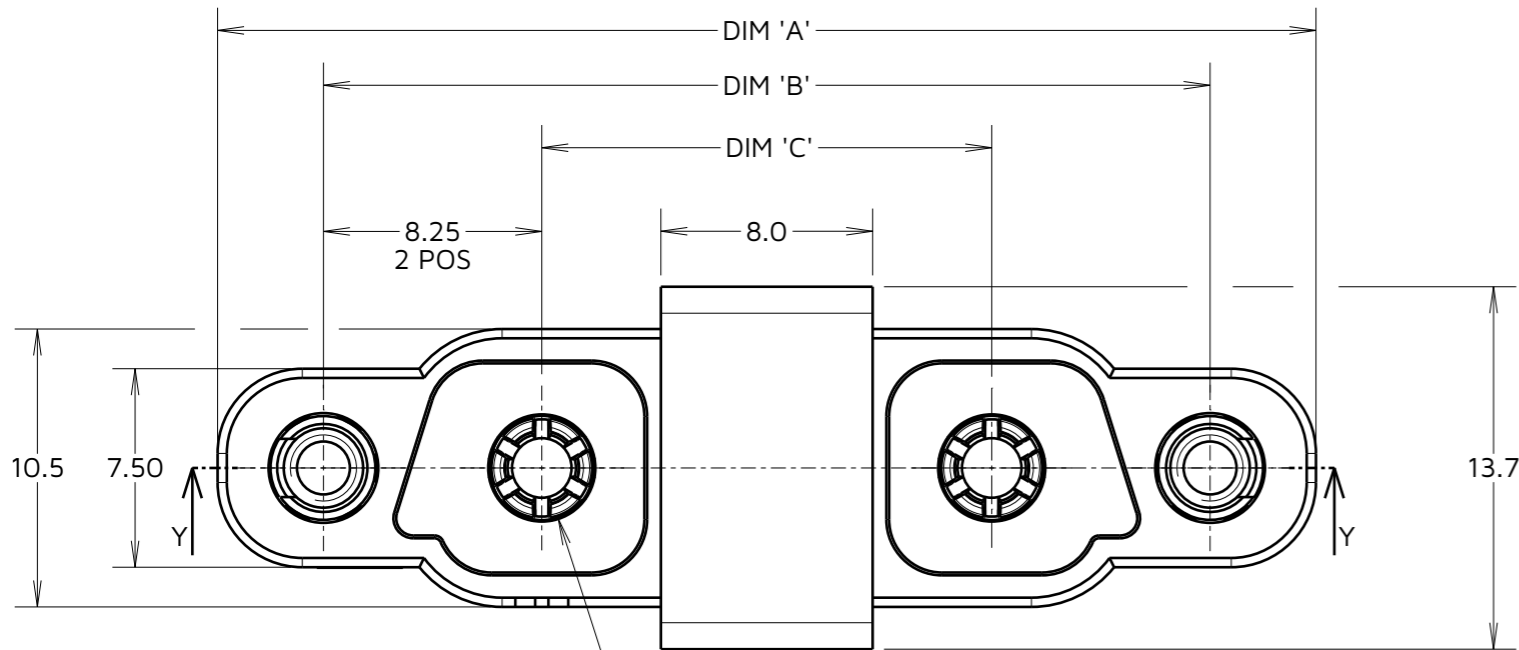
IF IN DOUBT - ASK

©

NOT TO SCALE

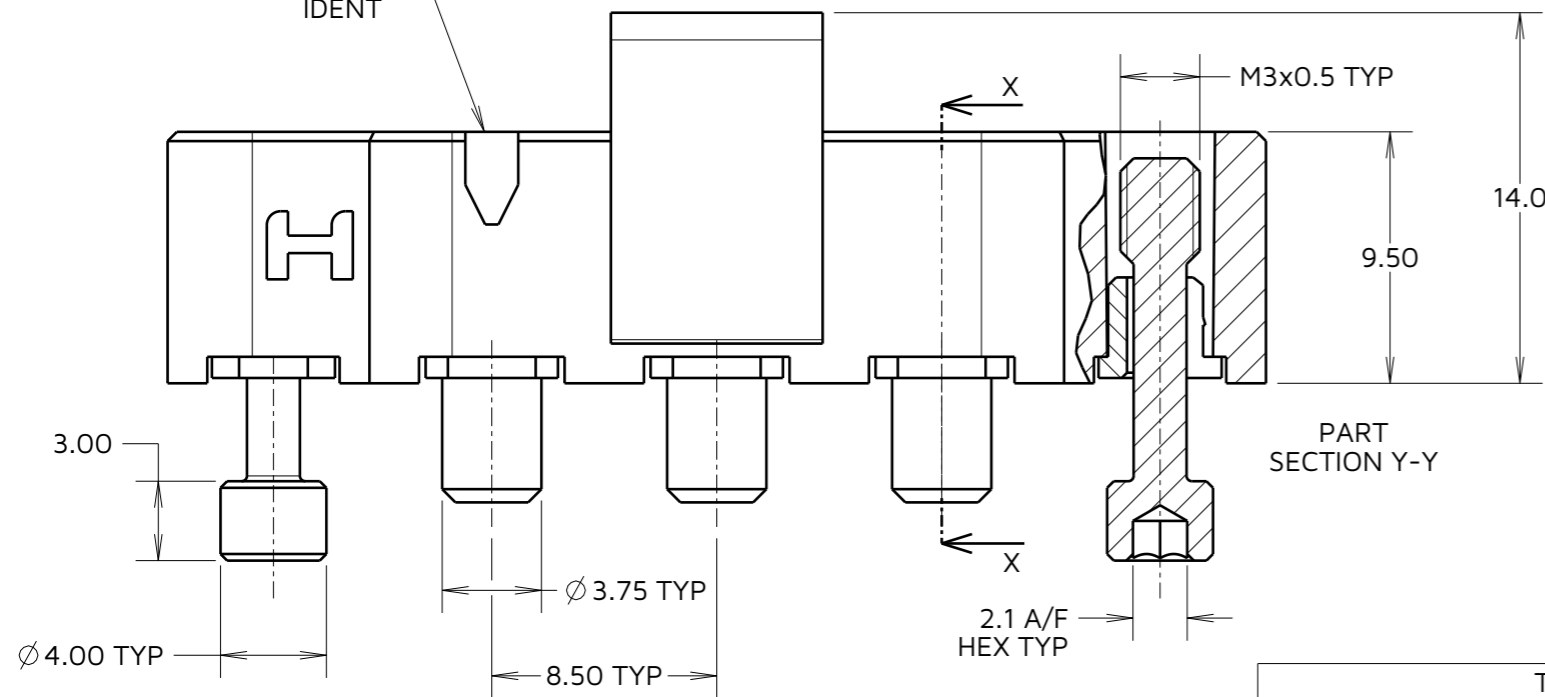
THIRD ANGLE PROJECTION

ALL DIMENSIONS IN mm

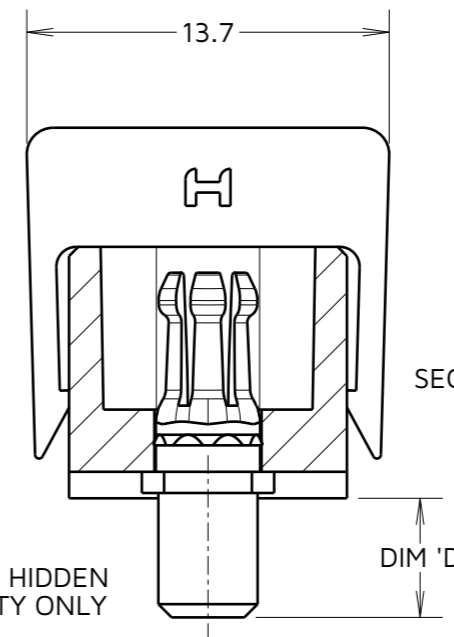


CONTACT No.1

CONTACT No.1
IDENT



HARDWARE HIDDEN
FOR CLARITY ONLY



SECTION X-X

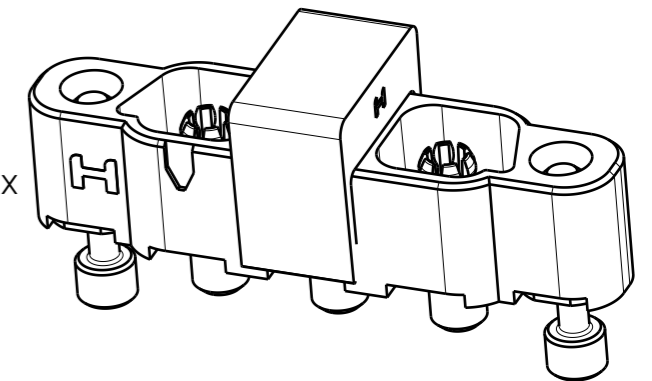


TABLE 1: VARIANTS

ASSEMBLY PART No.	DIM 'A'	DIM 'B'	DIM 'C'	DIM 'D'
KA1-MV10205M2	33.00	25.00	8.50	4.50
KA1-MV10305M2	41.50	33.50	17.00	
KA1-MV10405M2	50.00	42.00	25.50	
KA1-MV20205M2	33.00	25.00	8.50	5.90
KA1-MV20305M2	41.50	33.50	17.00	
KA1-MV20405M2	50.00	42.00	25.50	

ORDER CODE:

KA1-MVXXX05M2

TAIL LENGTH
SEE TABLE 1

TOTAL No. OF CONTACTS
02, 03, 04

AY	5	04.10.24	34936
NAME	ISS.	DATE	CN/CO
APPROVED:		A.YEOMANS	
CHECKED:		R.PORTLOCK	
DRAWN:		M.RUDKIN	

NOTES:

- FOR CONNECTOR SPECIFICATIONS SEE C052XX (LATEST ISSUE).
- DRAWING SHOWS CONNECTOR WITH 3 CONTACTS.
- PACKING = TUBE.

HARWIN

www.harwin.com

TOLERANCES
X. = ±1mm
X.X = ±0.50mm
X.XX = ±0.20mm
X.XXX = ±0.01mm
ANGLES = ±5°
UNLESS STATED

THIS DRAWING AND ANY INFORMATION OR DESCRIPTIVE MATTER SET OUT HEREON ARE CONFIDENTIAL AND COPYRIGHT PROPERTY OF THE HARWIN GROUP AND MUST NOT BE DISCLOSED, LOANED, COPIED OR USED FOR MANUFACTURING, TENDERING OR FOR ANY OTHER PURPOSE WITHOUT THEIR WRITTEN PERMISSION.

MATERIAL & FINISH:
SEE ABOVE

TITLE:
KONA SERIES - MALE
VERTICAL PCT CONNECTOR

DRAWING NUMBER:
KA1-MV1XX05M2

SHT
4 OF 4