



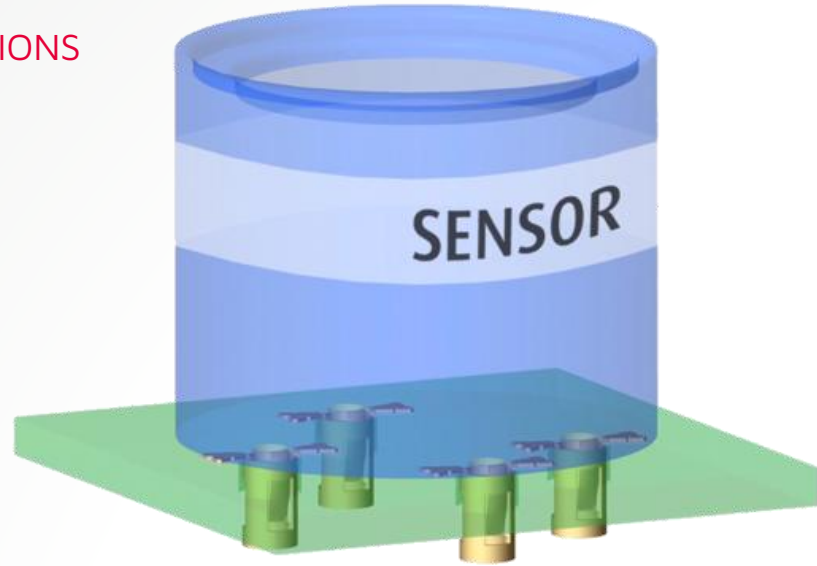
HARWIN

SOCKETS

Sycamore Contact

SOCKETS

SYCAMORE CONTACT – SINGLE PCB CONNECTIONS



There are many electronics devices and modules that are replaceable – by soldering these products directly to the PCB, the life of the board is limited. By using a PCB socket for the board connections, the product becomes fully repairable. In some cases, a device may be too temperature sensitive – the use of a PCB socket can eliminate the soldering temperature exposure.

SMT PCB Sockets are ideal for odd-form components, which do not fit in a regularly-spaced socket strip. As individual connections, they can also provide connectivity when just one signal or power connection is required.

SOCKETS

IMPROVED RELIABILITY CONNECTIONS

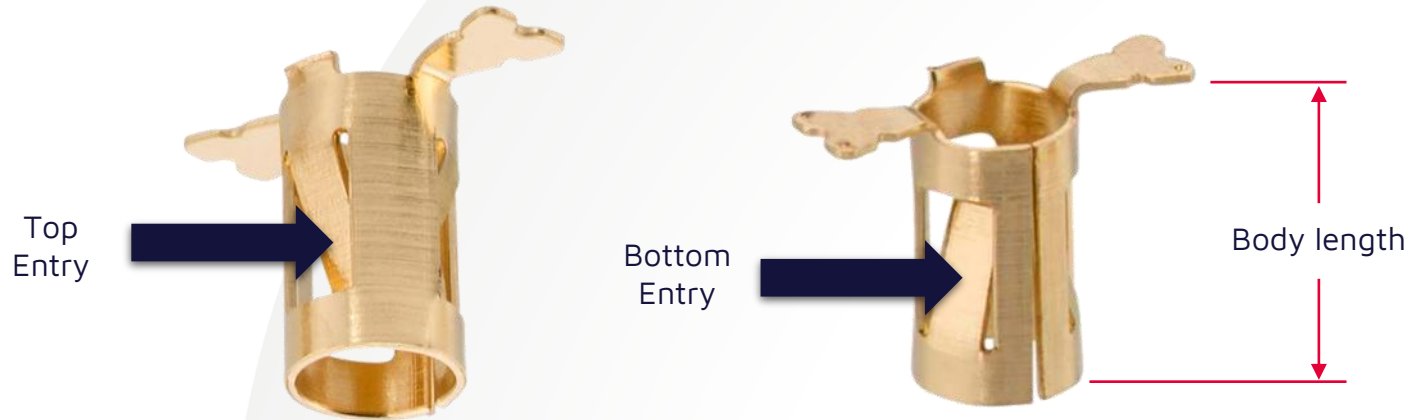


Previous designs of SMT contacts have only included 2 points of contact to the mating pin, making them potentially vulnerable to vibration. The Sycamore Contact patented design incorporates 3 points of contact for improved continuous signal integrity.

Sockets are manufactured from Beryllium Copper for increased temperature range and increased durability (number of mating cycles), and gold plated for improved wear resistance.

SOCKETS

FLEXIBILITY OF DESIGN OPTIONS

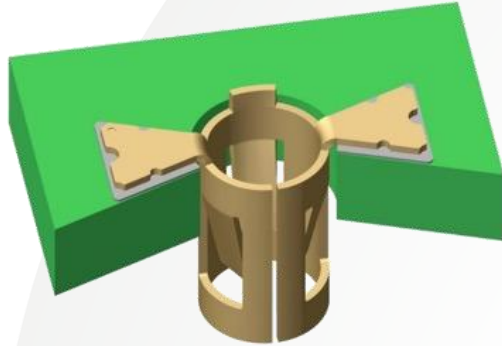


The Sycamore Contact is available in 6 designs – two entry types, two mating pin sizes, two body lengths:

- [S9111-45R](#) – Top entry, \varnothing 1.5-1.9mm mating pin, 3.87mm body length
- [S9121-45R](#) – Bottom entry, \varnothing 1.5- \varnothing 1.9mm mating pin, 3.87mm length
- [S9131-45R](#) – Top entry, \varnothing 0.8- \varnothing 1.3mm mating pin, 3.87mm length
- [S9141-45R](#) – Bottom entry, \varnothing 0.8- \varnothing 1.3mm mating pin, 3.87mm length
- [S9321-45R](#) – Bottom entry, \varnothing 1.5- \varnothing 1.9mm mating pin, 5.87mm length
- [S9341-45R](#) – Bottom entry, \varnothing 0.8- \varnothing 1.3mm mating pin, 5.87mm length

SOCKETS

READY FOR AUTO-PLACEMENT



All Sycamore Contacts are available in Tape and Reel packaging options, ready to facilitate automated assembly processes to the PCB. The SMT placement feet provide the pickup areas on either side of the product. Pack size is 1,400 contacts per reel for 3.87mm body lengths, and 800 per reel for 5.87mm body lengths.

The sockets are oriented to sit with a minimal profile above the PCB, and the body through and below the board (although customers can also choose to locate the contact in an inverted position for use as a straight SMT socket).

MATING PIN VARIABILITY INCLUDED



Due to the open-ended style of the design, mating pins of over-long design can easily be accommodated, in either direction.

SOCKETS

ELECTRICAL & MECHANICAL SPECIFICATIONS

Current Rating	6A max (3.87mm body length) 8A max (5.87mm body length)
Contact Resistance	15mΩ max
Durability (min. no. of mating cycles)	500

Component Specifications are given in more detail on individual Technical Drawings, available to download from the relevant product page.

SOCKETS

ENVIRONMENTAL SPECIFICATIONS

Temperature Range	-50°C to +125°C
Soldering Heat Resistance	260°C for 10 seconds

The use of the Beryllium Copper material gives the PCB sockets similar High-Reliability performance as the Gecko, Datamate and M300 products.

MARKETS



The requirement for single connections or high-reliability odd-form modules can appear in any application, and the Sycamore Contact range from Harwin has the variety required to meet these needs.

- Fire and Security
- Gas Detection
- Home Automation
- Modular Systems
- Handheld Equipment

LEARN MORE ABOUT OUR OTHER RANGES



HIGH RELIABILITY
WITH SUPREME
PERFORMANCE



DEPENDABLE
CONNECTIVITY
ACROSS THE BOARD



INNOVATIVE
DESIGNS FOR
EASY ASSEMBLY

Find out more about our full range
of inter-connection solutions at

www.harwin.com

HRI
RANGE

BBi
RANGE

EZi
RANGE

GET HELP FROM A HARWIN EXPERT

Our experts are specialists in their field with many years of experience in their respective roles and industries.

Find an expert that can help you with your enquiry.

[Click Here >>](#)

CAD Models and Evaluation Samples also available at www.harwin.com





HARWIN

CONNECT TECHNOLOGY
WITH CONFIDENCE



E: support@harwin.com

[WWW.HARWIN.COM](http://www.harwin.com)