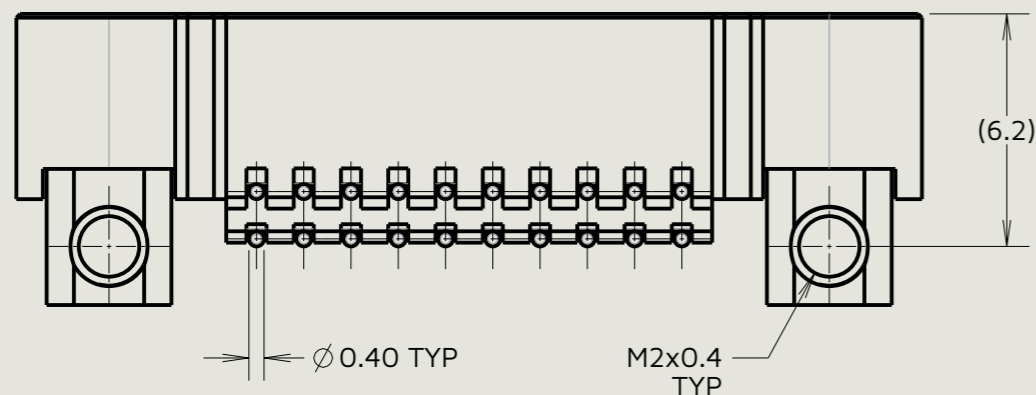
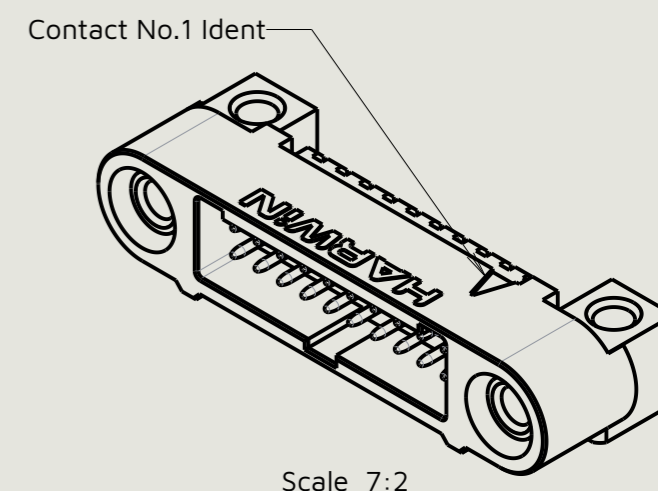
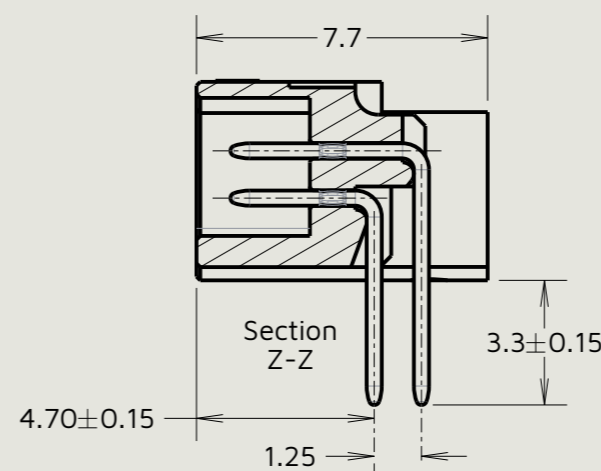
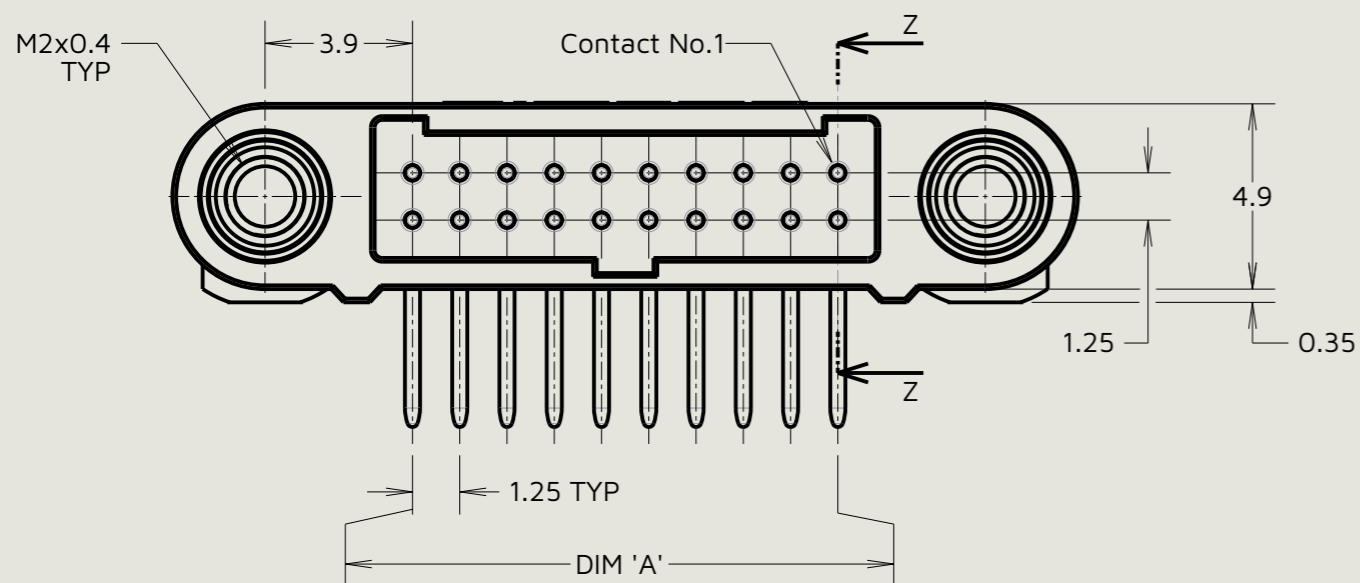
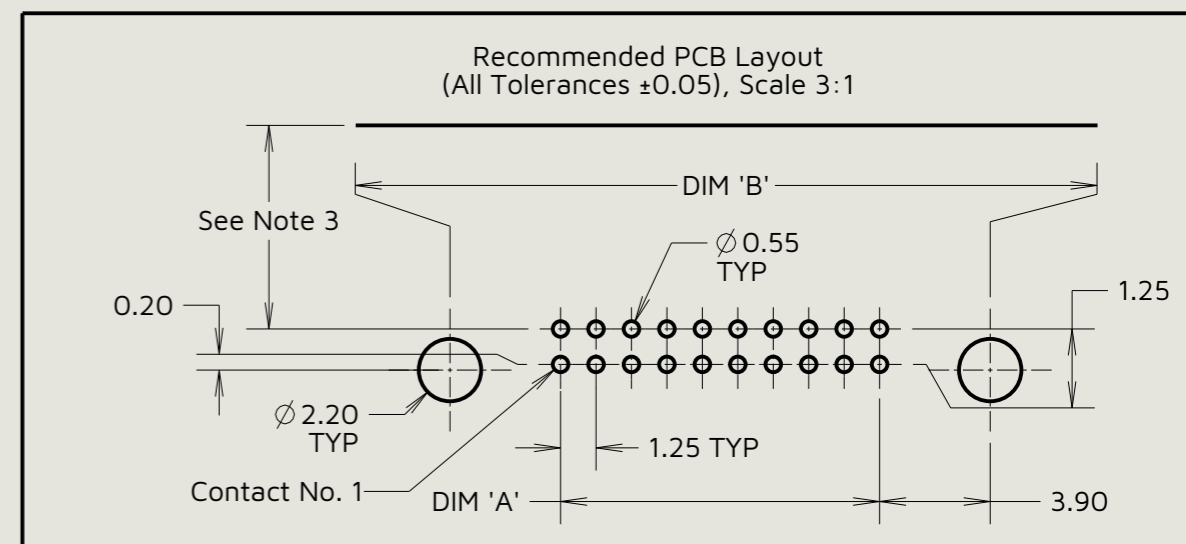
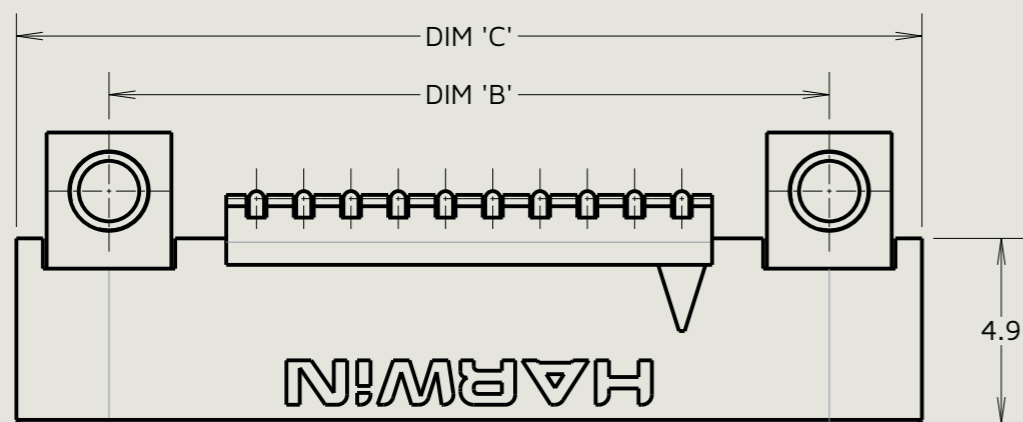


# Customer Information Sheet



Connector And PCB Layout Details Only.  
See Sheet 4 For Tape And Reel Details

Part No.	DIM 'A'	DIM 'B'	DIM 'C'
G125-MH10605M4R	2.50	10.30	15.2
G125-MH11005M4R	5.00	12.80	17.7
G125-MH11205M4R	6.25	14.05	19.0
G125-MH11605M4R	8.75	16.55	21.5
G125-MH12005M4R	11.25	19.05	24.0
G125-MH12605M4R	15.00	22.80	27.7
G125-MH13405M4R	20.00	27.80	32.7
G125-MH15005M4R	30.00	37.80	42.7

Order Code:  
**G125-MH1XX05M4R**  
Total No. Of Contacts:  
06, 10, 12, 16, 20, 26, 34 & 50

MJ	5	28.01.26	37709
Initials	Rev.	Date	CO
RTP	1	20.02.20	30013

Notes:

- For Materials, Finish and Specification see Gecko series connectors specification summary sheet or component specification C125XX (latest issue) for full specification.
- G125-MH12005M4R shown for illustration purposes only.
- Distance of nearside contacts to board edge when mated with:
  - Unshielded cable: 4.60-4.70mm
  - Shielded cable: 2.45-2.55mm
- A range of suitable M2 board mount screws are available separately.

	This drawing and any information or descriptive matter set out hereon are confidential and copyright property of the Harwin group and must not be disclosed, loaned, copied or used for manufacturing, tendering or for any other purpose without their written permission.	TOLERANCES X. = ±0.50mm X.X = ±0.30mm X.XX = ±0.10mm X.XXX = ±0.01mm Angles = ±5°  Unless stated	Third angle projection 	MATERIAL:  See Note 1	Title:  Gecko-SL Male Right Angle PC-Tail Connector Assembly In Tape & Reel
		Sheet scale: 5:1 Do not scale Sheet size: A3	FINISH:  See Note 1	Drawing number:  <b>G125-MH1XX05M4R</b>	SHT 3 OF 4

# Customer Information Sheet

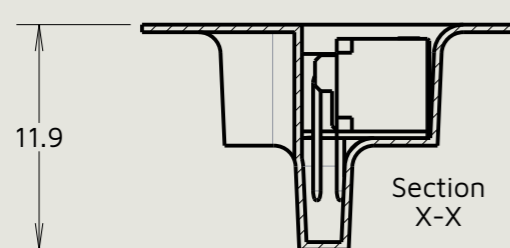
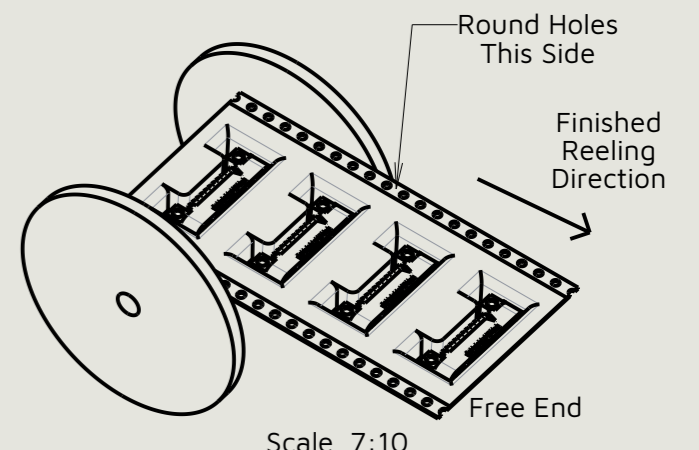
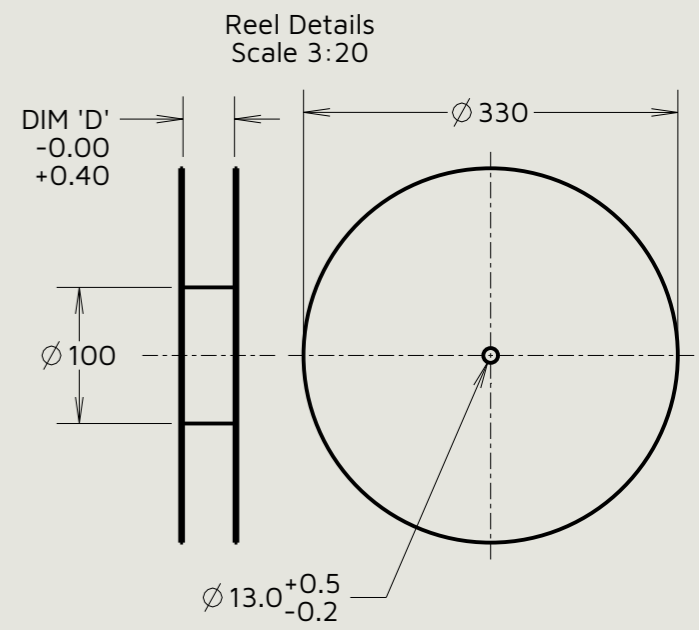
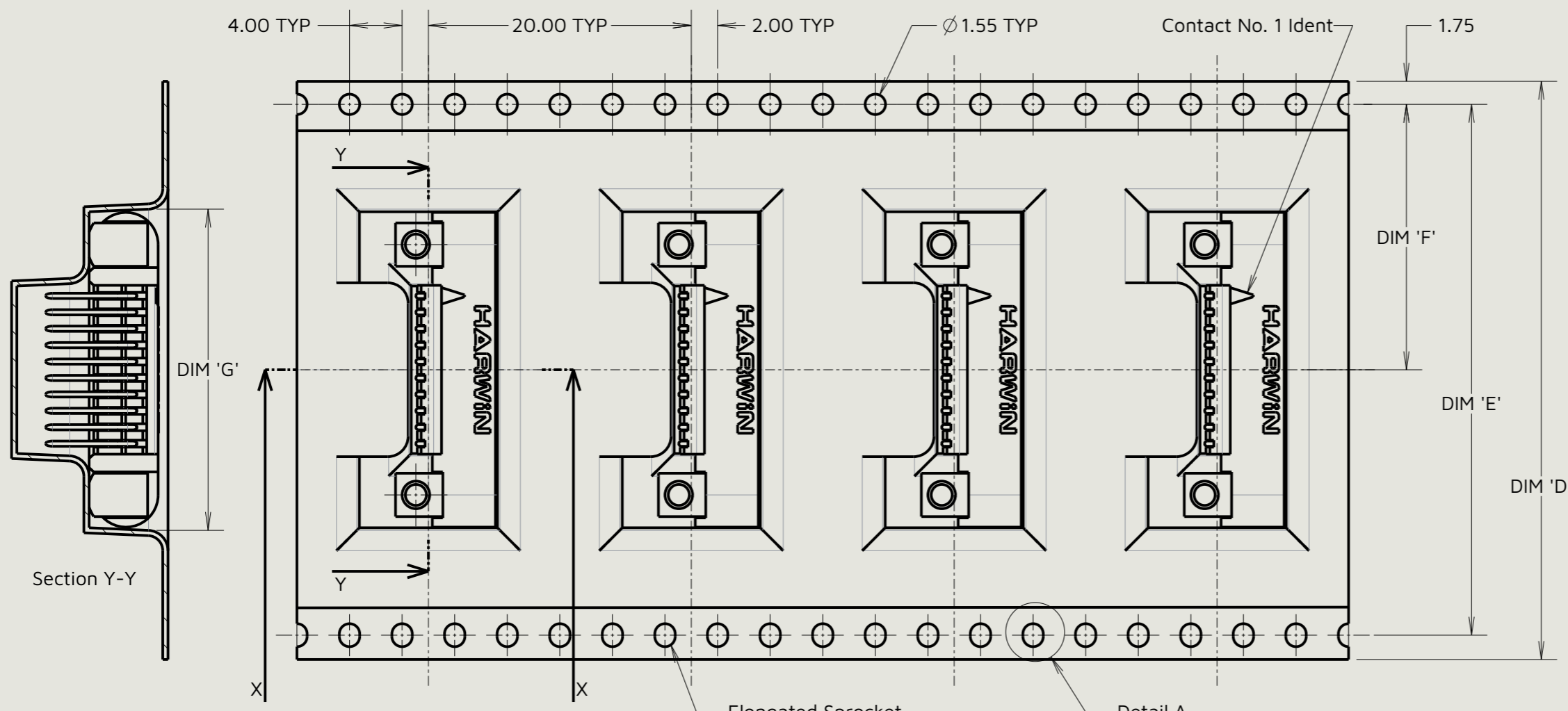
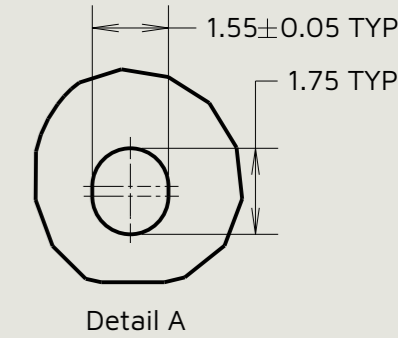


Table 2: Tape Dimension Variants

Part No.	DIM 'D'	DIM 'E'	DIM 'F'	DIM 'G'
G125-MH10605M4R	32.0	28.40	14.20	15.30±0.15
G125-MH11005M4R				17.80±0.15
G125-MH11205M4R				19.05±0.15
G125-MH11605M4R	44.0	40.40	20.20±0.15	21.55±0.15
G125-MH12005M4R				24.05±0.15
G125-MH12605M4R				27.80±0.15
G125-MH13405M4R	56.0	52.40	26.20±0.15	32.80±0.15
G125-MH15005M4R				42.80±0.15

Order Code:  
**G125-MH1XX05M4R**

Total No. Of Contacts:  
06, 10, 12, 16, 20, 26, 34 & 50



Tape And Reel Details Only.  
See Sheet 3  
For Connector And PCB  
Layout Details.

MJ	5	28.01.26	37709
Initials	Rev.	Date	CO
RTP	1	20.02.20	30013

- Notes:
- Components are oriented in tape pockets as shown.
  - Components are supplied in reels of 250 connectors
  - This product is tape and reeled in general accordance with EIA-481 (Electronics Industries Association).
  - See drawing G125-MH1XX05M4P for other quantities.

<p>www.harwin.com</p>	This drawing and any information or descriptive matter set out hereon are confidential and copyright property of the Harwin group and must not be disclosed, loaned, copied or used for manufacturing, tendering or for any other purpose without their written permission.	TOLERANCES X. = ±0.50mm X.X = ±0.30mm X.XX = ±0.10mm X.XXX = ±0.01mm Angles = ±5° Unless stated	Third angle projection 	MATERIAL: See Sheet 3 Note 1	Title: Gecko-SL Male Right Angle PC-Tail Connector Assembly In Tape & Reel
		Sheet scale: 5:2 Do not scale Sheet size: A3	FINISH: See Sheet 3 Note 1	Drawing number: <b>G125-MH1XX05M4R</b>	SHT 4 OF 4