

Customer Information Sheet

IF IN DOUBT - ASK

©

NOT TO SCALE

THIRD ANGLE PROJECTION

ALL DIMENSIONS IN mm

SPECIFICATIONS:

MATERIAL:
 HOUSING = GLASS-FILLED PPS, UL94V-0, BLACK
 CONTACT CLIP = BERYLLIUM COPPER
 CONTACT SHELL = BRASS
 JACKSCREW, CIRCLIP = STAINLESS STEEL
FINISH:
 01 = GOLD CLIP, TIN/LEAD SHELL
 05 = GOLD CLIP, GOLD SHELL
 42 = GOLD CLIP,
 100% TIN OVER NICKEL SHELL
PACKING:
 TUBE
 FOR COMPLETE SPECIFICATION, SEE COMPONENT SPECIFICATION C005XX (LATEST ISSUE)

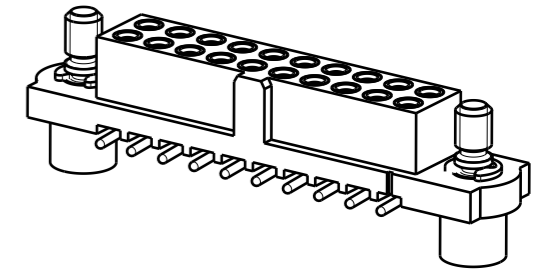
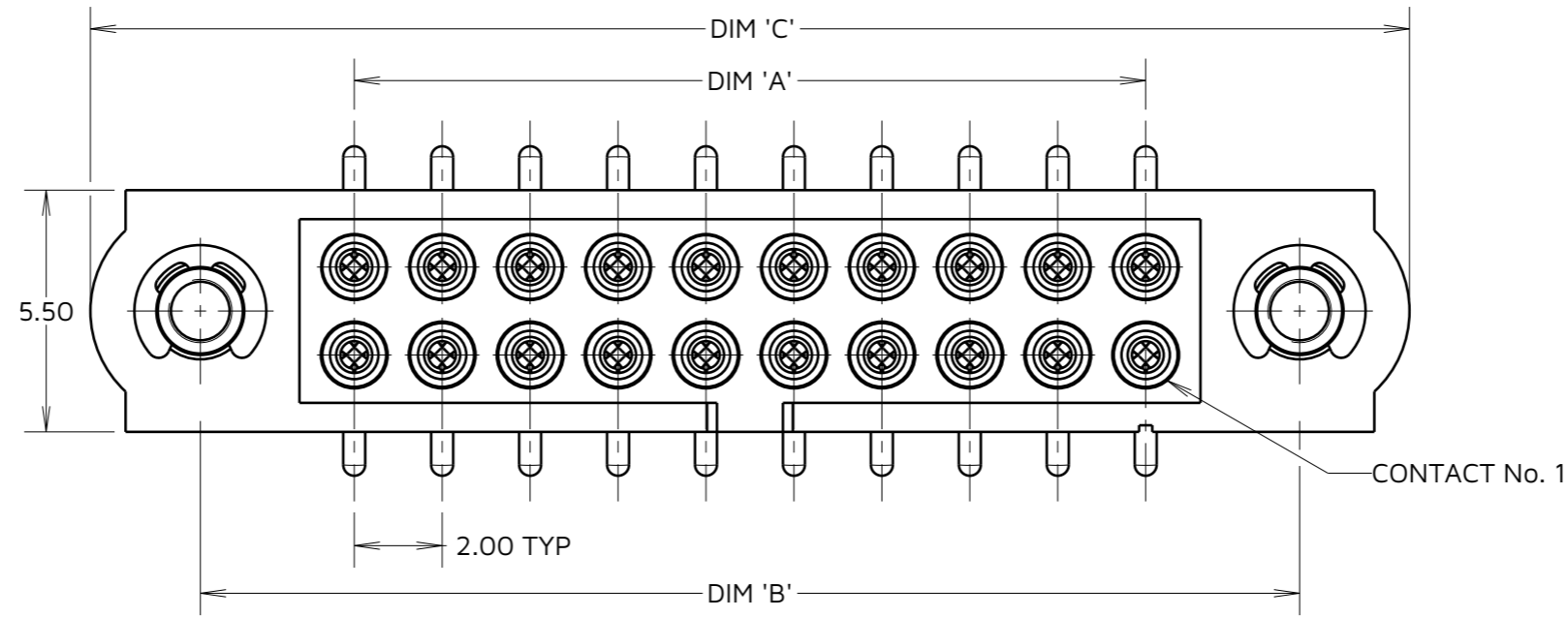


TABLE 2: WEIGHTS

PART No.	WEIGHT (g)
M80-42204XX	1.01
M80-42206XX	1.15
M80-42208XX	1.30
M80-42210XX	1.44
M80-42212XX	1.58
M80-42214XX	1.72
M80-42216XX	1.86
M80-42218XX	2.01
M80-42220XX	2.15
M80-42222XX	2.29
M80-42224XX	2.43
M80-42226XX	2.57
M80-42228XX	2.71
M80-42230XX	2.86
M80-42232XX	3.00
M80-42234XX	3.14
M80-42236XX	3.28
M80-42238XX	3.42
M80-42240XX	3.56
M80-42242XX	3.71
M80-42244XX	3.85
M80-42246XX	3.99
M80-42248XX	4.13
M80-42250XX	4.27

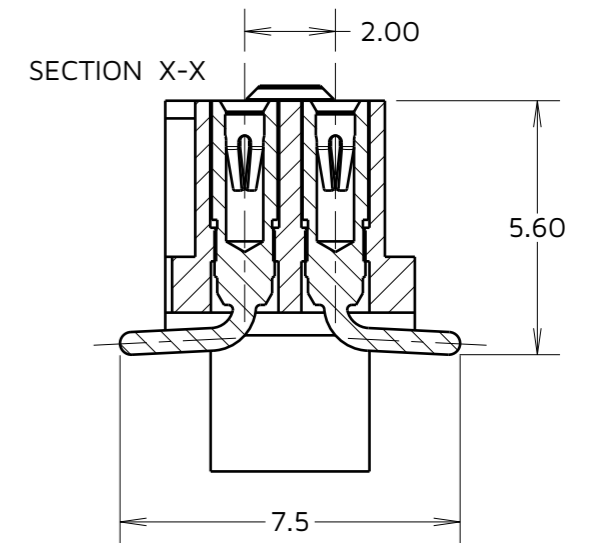
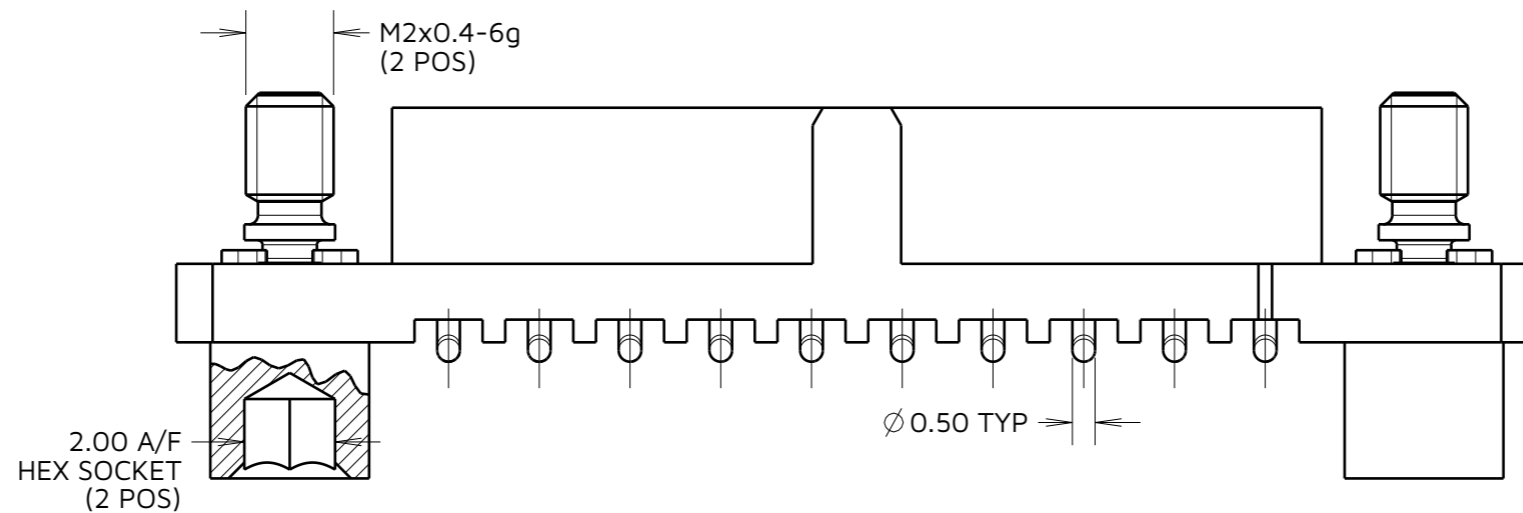
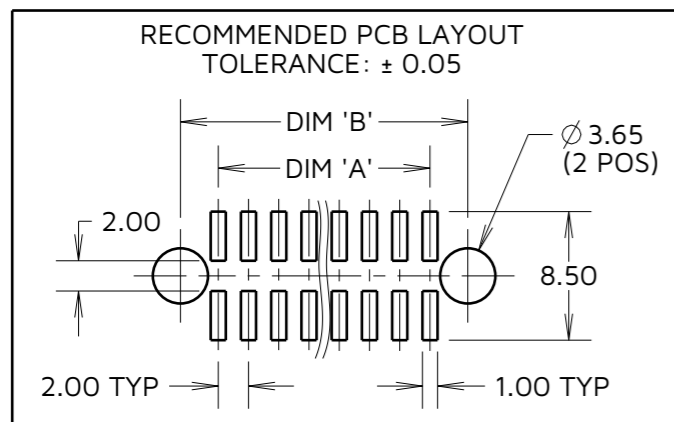


TABLE 1: DIMENSION VARIANTS	
DIMENSION	CALCULATION
DIM 'A'	TOTAL No. OF CONTACTS - 2.00
DIM 'B'	TOTAL No. OF CONTACTS + 5.00
DIM 'C'	TOTAL No. OF CONTACTS + 10.0

EXAMPLE: CONNECTOR WITH 20 CONTACTS, GOLD CLIP AND 100% TIN OVER NICKEL SHELL, M80-4222042
 DIM 'A' = 18.00mm, DIM 'B' = 25.00mm,
 DIM 'C' = 30.00mm

ORDER CODE: **M80-422XXXX**
 TOTAL No. OF CONTACTS 04 TO 50 (EVEN NUMBERS ONLY)
 FINISH _____
 01 - GOLD CLIP, TIN/LEAD SHELL
 05 - GOLD CLIP, GOLD SHELL
 42 - GOLD CLIP, 100% TIN OVER NICKEL SHELL



NOTES:
 1. M80-42220XX IS SHOWN FOR ILLUSTRATION PURPOSES, SEE ORDER CODE FOR VARIANTS

HARWIN

www.harwin.com

TOLERANCES
 X. = ±1mm
 X.X = ±0.50mm
 X.XX = ±0.20mm
 X.XXX = ±0.01mm
 ANGLES = ±5°
 UNLESS STATED

THIS DRAWING AND ANY INFORMATION OR DESCRIPTIVE MATTER SET OUT HEREON ARE CONFIDENTIAL AND COPYRIGHT PROPERTY OF THE HARWIN GROUP AND MUST NOT BE DISCLOSED, LOANED, COPIED OR USED FOR MANUFACTURING, TENDERING OR FOR ANY OTHER PURPOSE WITHOUT THEIR WRITTEN PERMISSION.

MATERIAL & FINISH:
 SEE ABOVE

TITLE: **DATAMATE SMT DIL FEMALE VERTICAL JACKSCREW CONNECTOR ASSEMBLY**

DRAWING NUMBER:
M80-422XXXX

SHT 2 OF 2

MJ	2	17.12.24	35293
NAME	ISS.	DATE	CN/CO
APPROVED: M. JELLEY			
CHECKED: R. ALEXANDER			
DRAWN: JM BROOKES			