

# Customer Information Sheet

IF IN DOUBT - ASK

©

NOT TO SCALE

THIRD ANGLE PROJECTION

ALL DIMENSIONS IN mm

ORDER CODE: **G125-MHXXX05L2P**

CONTACT STYLE:  
3.2mm PC-TAIL = H1  
4.7mm PC-TAIL = H2

TOTAL No. OF CONTACTS:  
06, 10, 12, 16, 20, 26, 34, 50

LATCHES:  
2.5mm BOARD MOUNT & LATCHES = L2

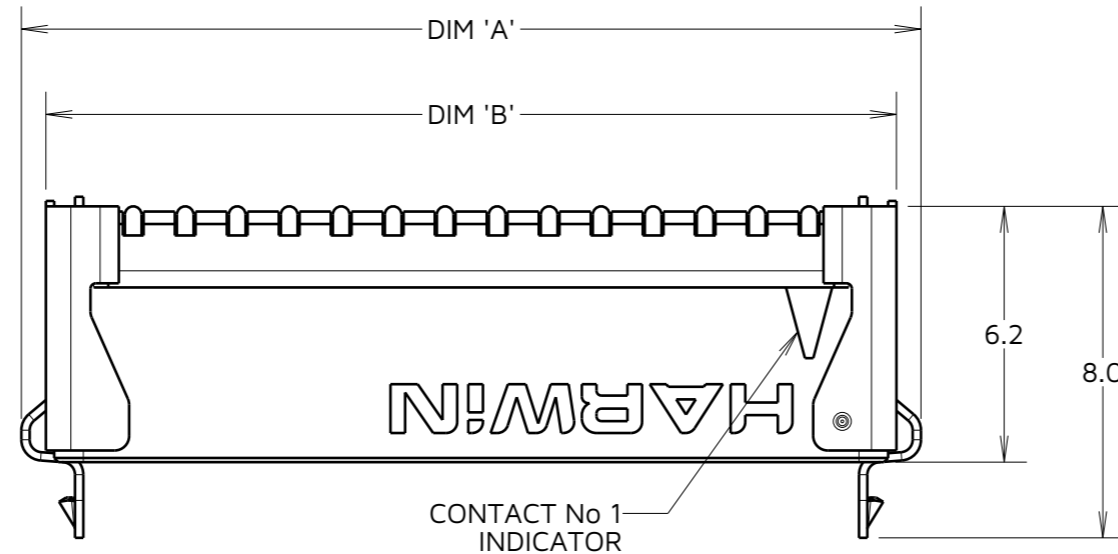
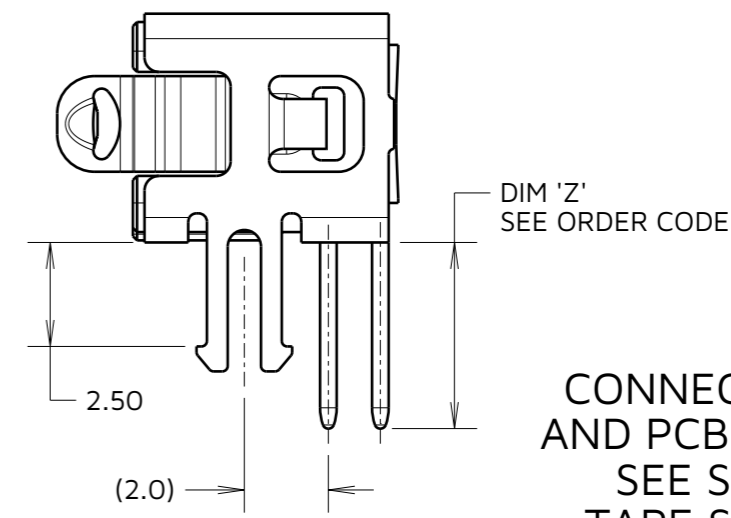
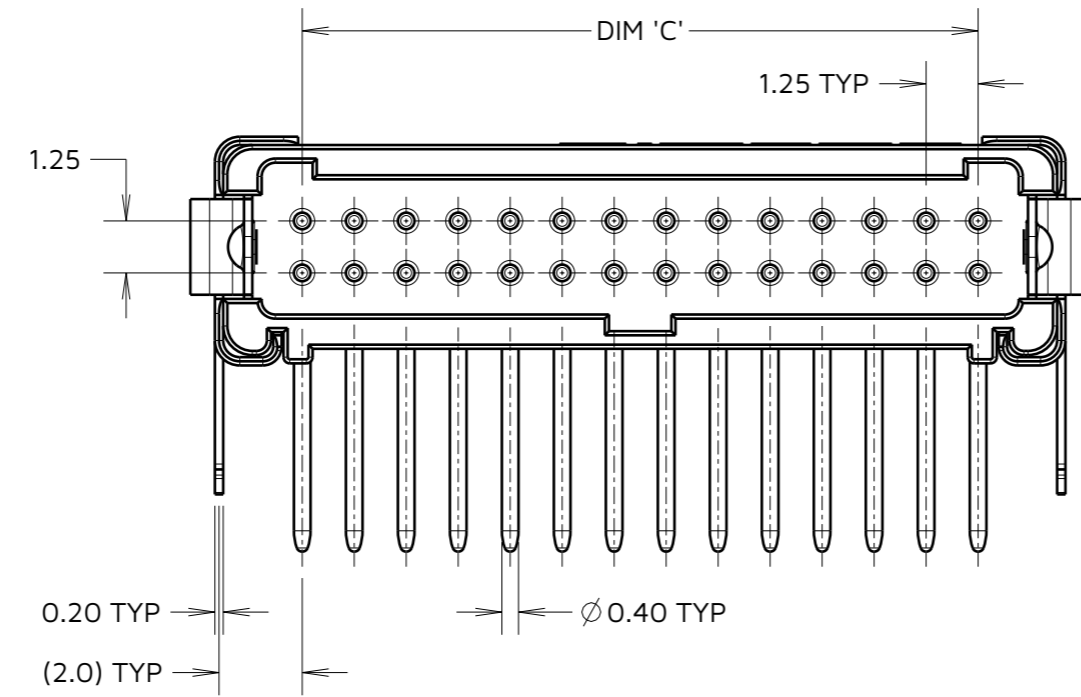
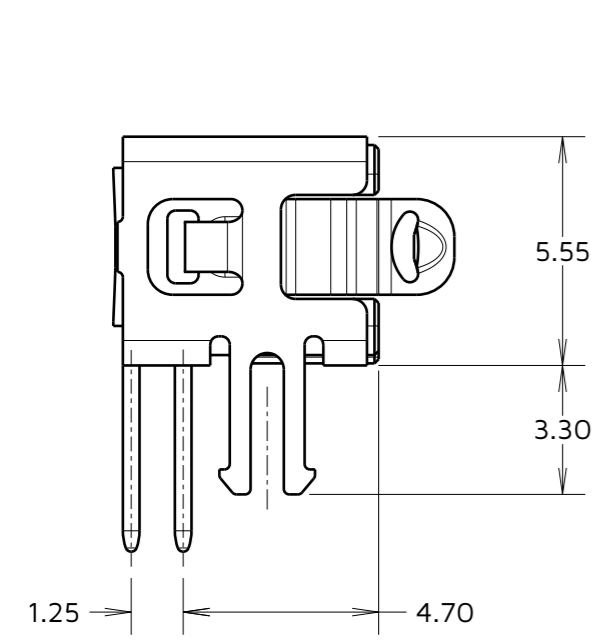
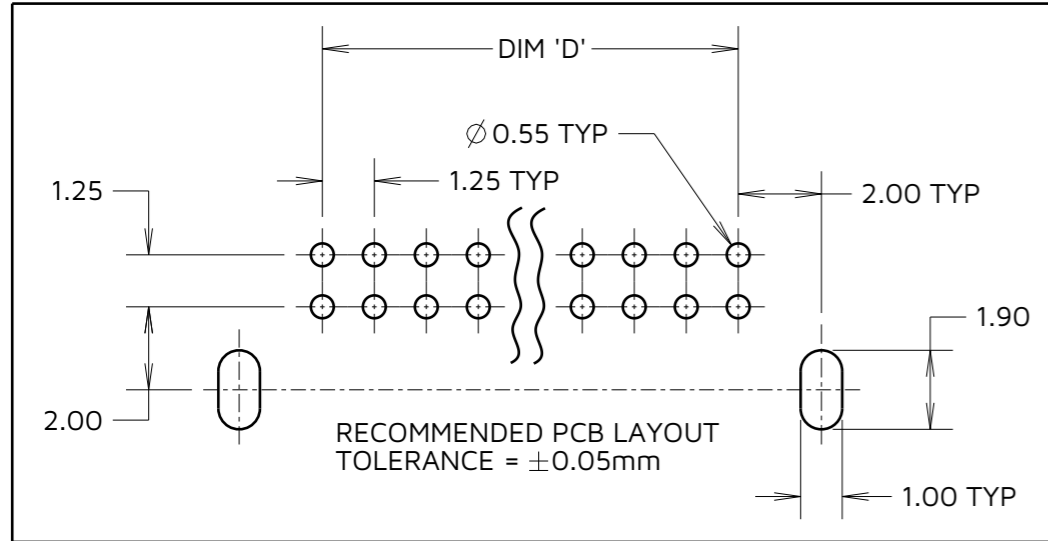


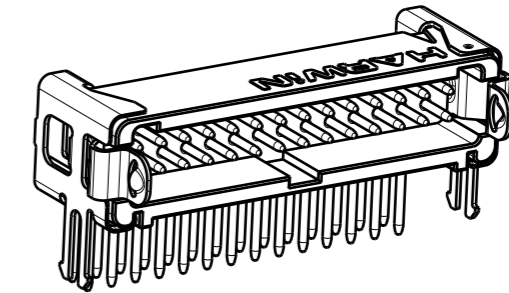
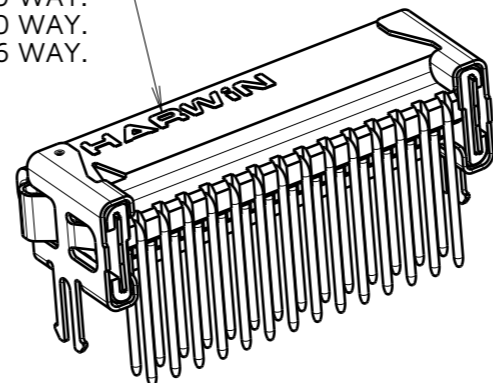
TABLE 1: DIMENSION VARIANTS				
PART No.	DIM 'A'	DIM 'B'	DIM 'C'	DIM 'D'
G125-MHX0605L2P-00	8.05	6.80	2.50	2.50
G125-MHX1005L2P-00	10.55	9.30	5.00	5.00
G125-MHX1205L2P-00	11.80	10.55	6.25	6.25
G125-MHX1605L2P-00	14.30	13.05	8.75	8.75
G125-MHX2005L2P-00	16.80	15.55	11.25	11.25
G125-MHX2605L2P-00	20.55	19.30	15.00	15.00
G125-MHX3405L2P-00	25.55	24.30	20.00	20.00
G125-MHX5005L2P-00	35.55	34.30	30.00	30.00



CONNECTOR DETAILS AND PCB LAYOUT ONLY. SEE SHEET 6 FOR TAPE STRIP DETAILS.



FULL LOGO ON 20 TO 50 WAY.  
'H' ON 6 & 10 WAY.  
'HWN' ON 12 & 16 WAY.



MJ	7	17.10.24	34985
NAME	ISS.	DATE	CN/CO
APPROVED:		M. JELLEY	
CHECKED:		A. YEOMANS	
DRAWN:		MARK G PLESTED	

NOTES:  
1. FOR COMPLETE SPECIFICATION, SEE COMPONENT SPECIFICATION C125XX (LATEST ISSUE).

**HARWIN**  
www.harwin.com

TOLERANCES  
X. = ±1mm  
X.X = ±0.50mm  
X.XX = ±0.20mm  
X.XXX = ±0.01mm  
ANGLES = ±5°  
UNLESS STATED

THIS DRAWING AND ANY INFORMATION OR DESCRIPTIVE MATTER SET OUT HEREON ARE CONFIDENTIAL AND COPYRIGHT PROPERTY OF THE HARWIN GROUP AND MUST NOT BE DISCLOSED, LOANED, COPIED OR USED FOR MANUFACTURING, TENDERING OR FOR ANY OTHER PURPOSE WITHOUT THEIR WRITTEN PERMISSION.

MATERIAL & FINISH:  
SEE NOTE 1

TITLE: **GECKO LATCH MALE HORIZONTAL PC TAIL CONNECTOR ASSEMBLY**  
DRAWING NUMBER: **G125-MHXXX05L2P**  
SHT 5 OF 6

# Customer Information Sheet

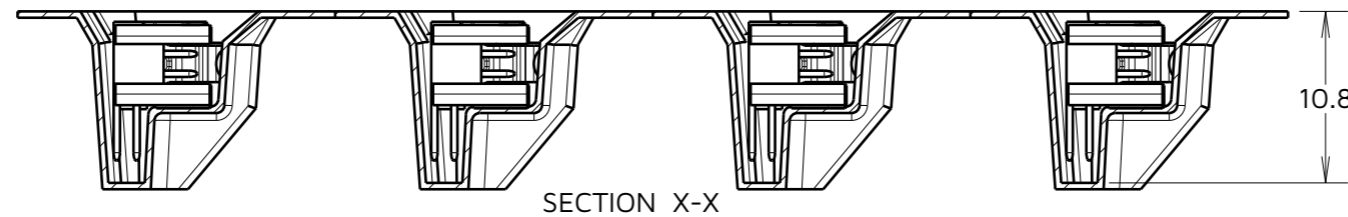
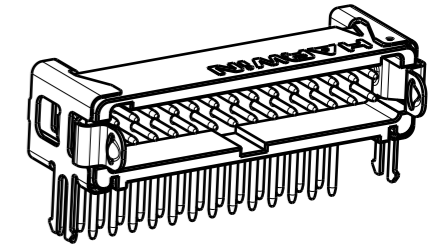
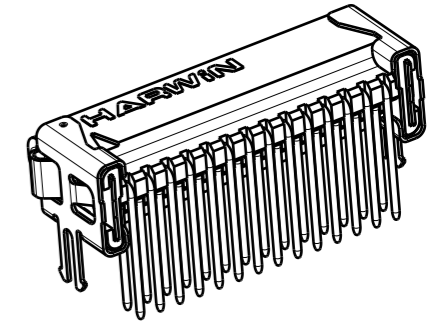
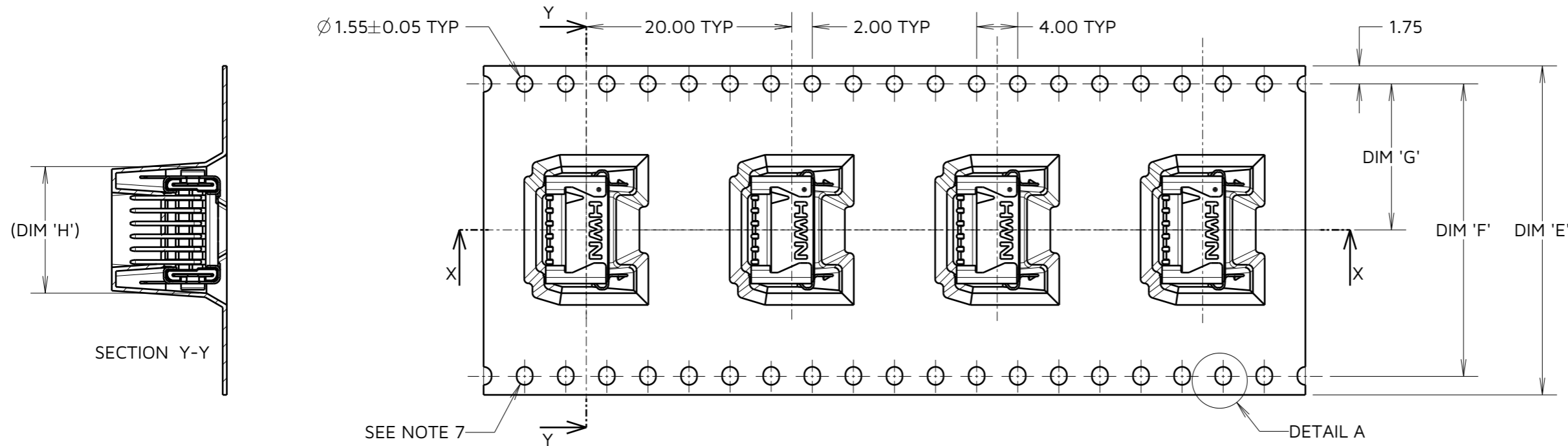
IF IN DOUBT - ASK

©

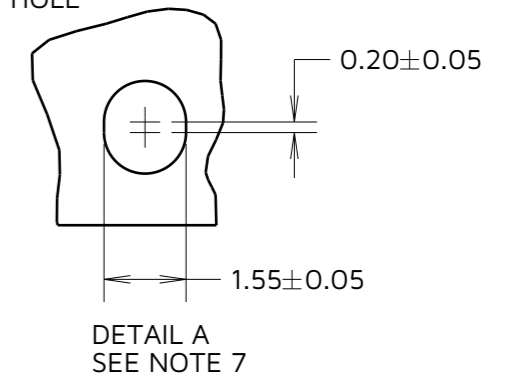
NOT TO SCALE

THIRD ANGLE PROJECTION

ALL DIMENSIONS IN mm



ELONGATED SPROCKET HOLE



ORDER CODE: **G125-MHXXX05L2P**

CONTACT STYLE:  3.2mm PC-TAIL = H1  
 4.7mm PC-TAIL = H2

TOTAL No. OF CONTACTS:  06, 10, 12, 16, 20, 26, 34, 50

LATCHES:  2.5mm BOARD MOUNT & LATCHES = L2

TABLE 2: DIMENSION VARIANTS

PART No.	DIM 'E'	DIM 'F'	DIM 'G'	(DIM 'H')
G125-MHX0605L2P	24.0 +0.3/-0.1	NO ELONGATED HOLE	11.50	8.5
G125-MHX1005L2P				11.0
G125-MHX1205L2P	32.0±0.3	28.40	14.20	12.2
G125-MHX1605L2P				14.7
G125-MHX2005L2P	44.0±0.3	40.40	20.2±0.15	17.2
G125-MHX2605L2P				21.0
G125-MHX3405L2P	56.0±0.3	52.40	26.2±0.15	26.0
G125-MHX5005L2P				36.0

- NOTES:
- COMPONENTS ARE ORIENTED IN TAPE POCKETS AS SHOWN.
  - COMPONENTS ARE SUPPLIED IN STRIPS OF 10.
  - LARGE QUANTITIES MAY BE SHIPPED ON A REEL AND MAY NOT HAVE A LEADER.
  - FOR COMPLETE SPECIFICATION, SEE COMPONENT SPECIFICATION C125XX (LATEST ISSUE).
  - FOR PARTS ON REEL SUITABLE FOR AUTOMATIC MACHINE PLACEMENT PLEASE ORDER: G125-MHXXX05L2R.
  - ELONGATED SPROCKET HOLE NOT PRESENT ON 06 & 10 POSITIONS.
  - SEE SHEET 5 FOR CONNECTOR DETAILS.

MJ	7	17.10.24	34985
NAME	ISS.	DATE	CN/CO
APPROVED:		M. JELLEY	
CHECKED:		A. YEOMANS	
DRAWN:		MARK G PLESTED	

**HARWIN**

www.harwin.com

TOLERANCES  
 X. = ±1mm  
 X.X = ±0.50mm  
 X.XX = ±0.20mm  
 X.XXX = ±0.01mm  
 ANGLES = ±5°  
 UNLESS STATED

THIS DRAWING AND ANY INFORMATION OR DESCRIPTIVE MATTER SET OUT HEREON ARE CONFIDENTIAL AND COPYRIGHT PROPERTY OF THE HARWIN GROUP AND MUST NOT BE DISCLOSED, LOANED, COPIED OR USED FOR MANUFACTURING, TENDERING OR FOR ANY OTHER PURPOSE WITHOUT THEIR WRITTEN PERMISSION.

MATERIAL & FINISH:  
 SEE SHEET 5

TITLE: **GECKO LATCH MALE HORIZONTAL PC TAIL CONNECTOR ASSEMBLY**

DRAWING NUMBER:  
**G125-MHXXX05L2P**

SHT  
 6 OF 6