

Customer Information Sheet

IF IN DOUBT - ASK

©

NOT TO SCALE

THIRD ANGLE PROJECTION

ALL DIMENSIONS IN mm

SPECIFICATIONS:
MATERIAL:
 HOUSING = GLASS-FILLED PPS,
 UL94V-0, BLACK
 CONTACT = PHOSPHOR BRONZE
 JACKSCREW = STAINLESS STEEL
FINISH (CONTACTS):
 05 = GOLD ALL OVER
 22 = GOLD ON CONTACT AREA,
 TIN/LEAD ON TAILS
 42 = GOLD ON CONTACT AREA,
 100% TIN OVER NICKEL ON TAILS
TUBE
 FOR COMPLETE SPECIFICATION, SEE COMPONENT
 SPECIFICATION C005XX (LATEST ISSUE)

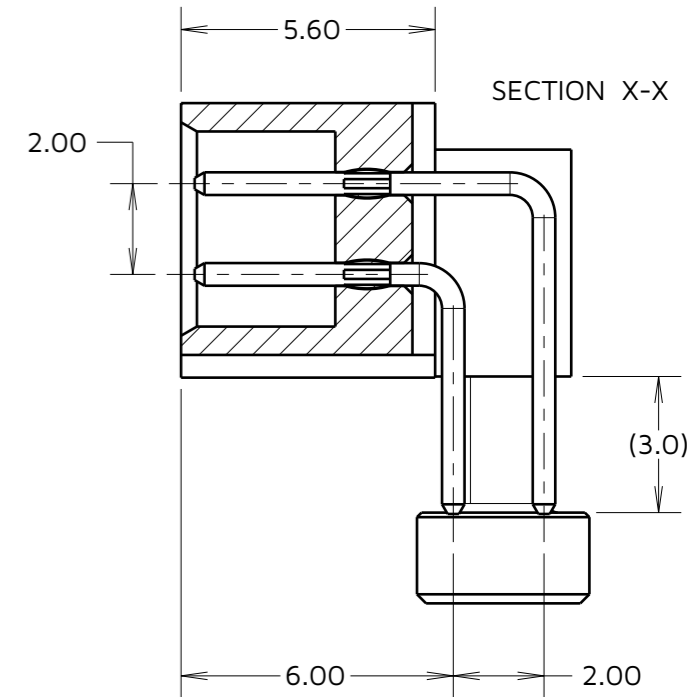
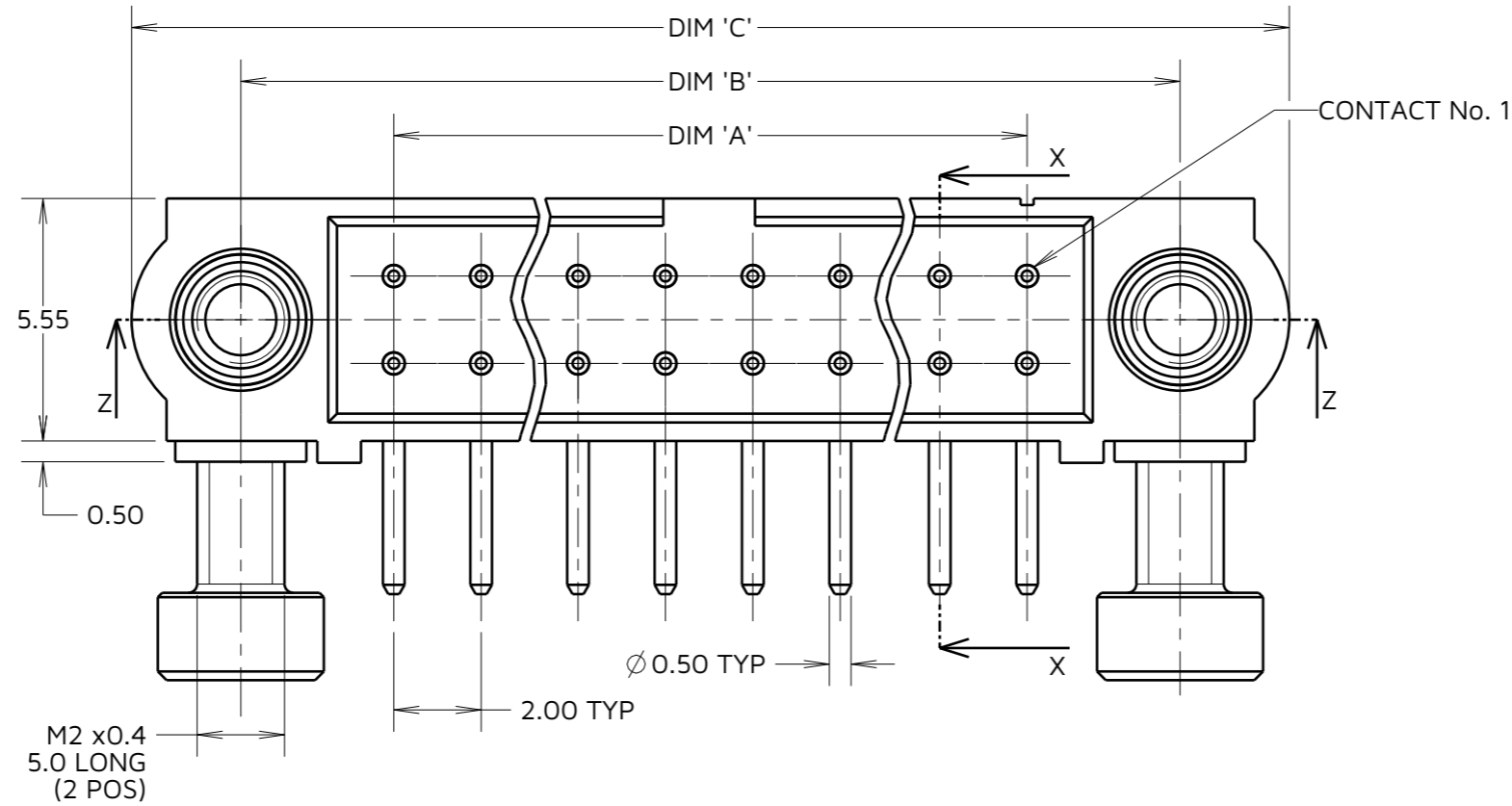
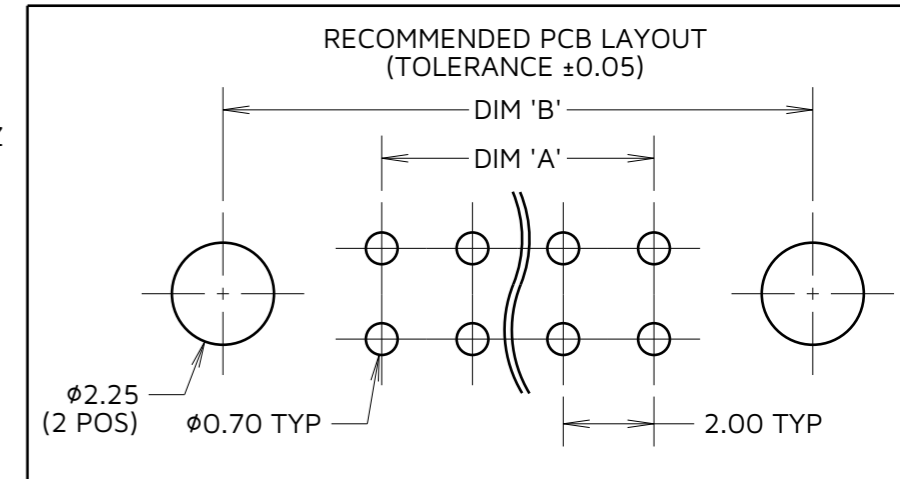
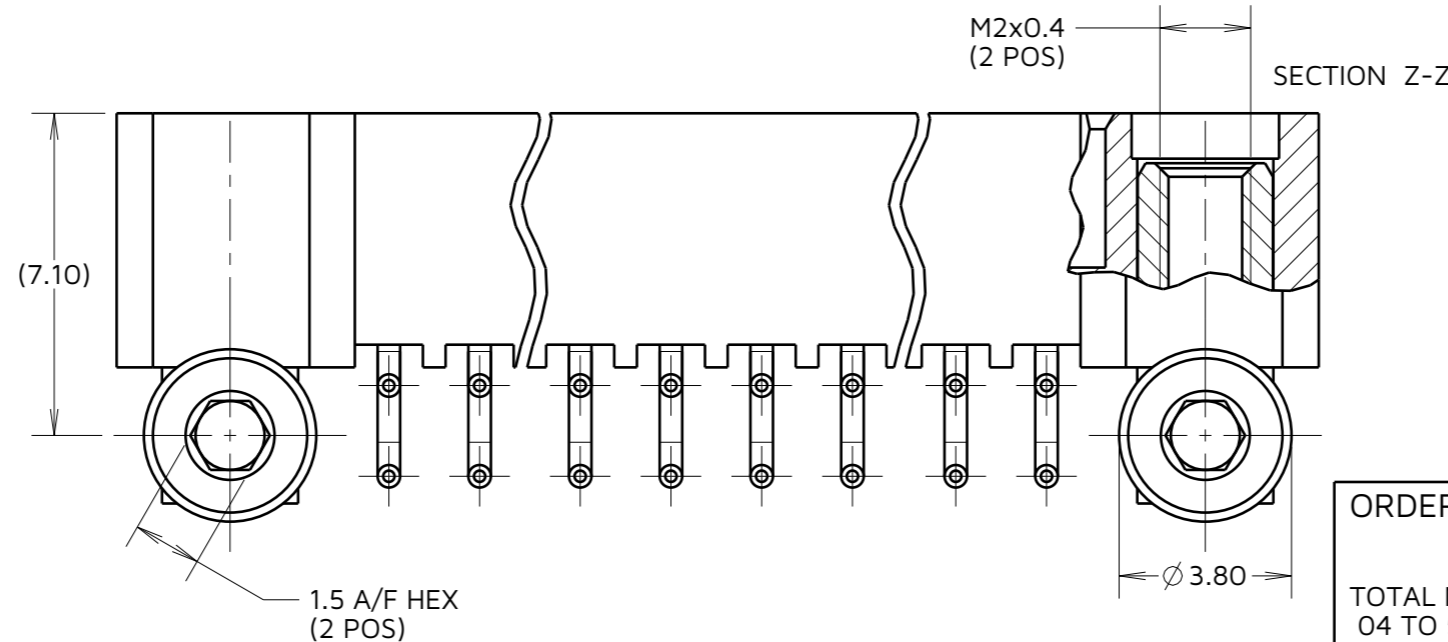


TABLE 1: DIMENSION VARIANTS

PART No.	DIM 'A'	DIM 'B'	DIM 'C'
M80-5L104XXM7	2.00	9.00	14.00
M80-5L106XXM7	4.00	11.00	16.00
M80-5L108XXM7	6.00	13.00	18.00
M80-5L110XXM7	8.00	15.00	20.00
M80-5L112XXM7	10.00	17.00	22.00
M80-5L114XXM7	12.00	19.00	24.00
M80-5L116XXM7	14.00	21.00	26.00
M80-5L118XXM7	16.00	23.00	28.00
M80-5L120XXM7	18.00	25.00	30.00
M80-5L122XXM7	20.00	27.00	32.00
M80-5L124XXM7	22.00	29.00	34.00
M80-5L126XXM7	24.00	31.00	36.00
M80-5L128XXM7	26.00	33.00	38.00
M80-5L130XXM7	28.00	35.00	40.00
M80-5L132XXM7	30.00	37.00	42.00
M80-5L134XXM7	32.00	39.00	44.00
M80-5L136XXM7	34.00	41.00	46.00
M80-5L138XXM7	36.00	43.00	48.00
M80-5L140XXM7	38.00	45.00	50.00
M80-5L142XXM7	40.00	47.00	52.00
M80-5L144XXM7	42.00	49.00	54.00
M80-5L146XXM7	44.00	51.00	56.00
M80-5L148XXM7	46.00	53.00	58.00
M80-5L150XXM7	48.00	55.00	60.00



ORDER CODE:
M80-5L1XXXXM7
 TOTAL No. OF CONTACTS
 04 TO 50
 (EVEN NUMBERS ONLY)
 FINISH CODE
 05 - ALL OVER GOLD
 22 - GOLD ON CONTACT AREA / TIN/LEAD ON TAIL
 42 - GOLD ON CONTACT AREA / 100% TIN ON TAIL

MJ	5	06.11.24	34803
NAME	ISS.	DATE	CN/CO
APPROVED: M. JELLEY			
CHECKED: A. YEOMANS			
DRAWN: S.FLOWER			

NOTES:
 1. BOARD MOUNT SCREWS SUPPLIED LOOSE IN A BAG NOT AS SHOWN

HARWIN

www.harwin.com

TOLERANCES
 X. = ± 1 mm
 X.X = ± 0.50 mm
 X.XX = ± 0.20 mm
 X.XXX = ± 0.01 mm
 ANGLES = $\pm 5^\circ$
 UNLESS STATED

THIS DRAWING AND ANY INFORMATION OR DESCRIPTIVE MATTER SET OUT HEREON ARE CONFIDENTIAL AND COPYRIGHT PROPERTY OF THE HARWIN GROUP AND MUST NOT BE DISCLOSED, LOANED, COPIED OR USED FOR MANUFACTURING, TENDERING OR FOR ANY OTHER PURPOSE WITHOUT THEIR WRITTEN PERMISSION.

MATERIAL & FINISH:
 SEE ABOVE

TITLE: **DATAMATE J-TEK MALE HORZ 3mm PC-TAIL ASSY WITH BOARD MOUNT JACKSCREW**
 DRAWING NUMBER:
M80-5L1XXXXM7

SHT
 2 OF 2