

Customer Information Sheet

IF IN DOUBT - ASK

©

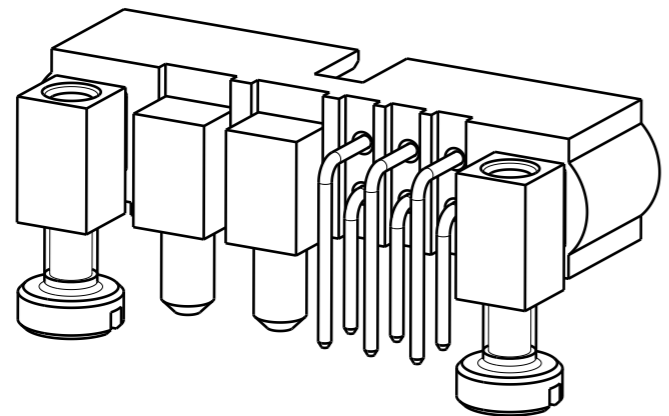
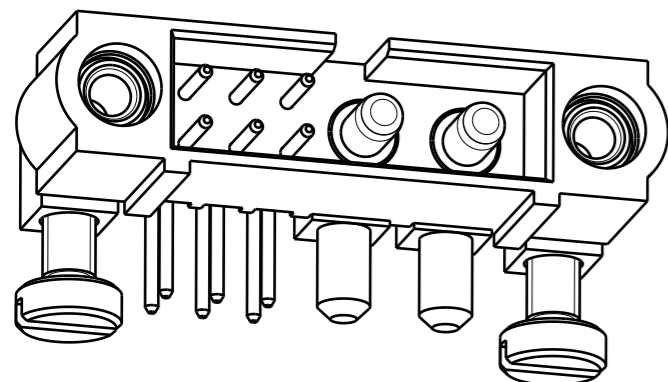
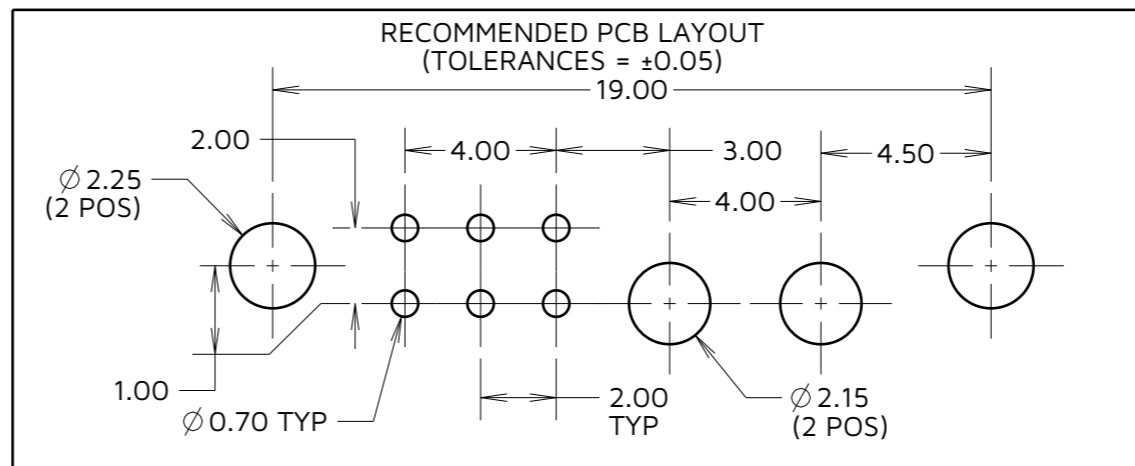
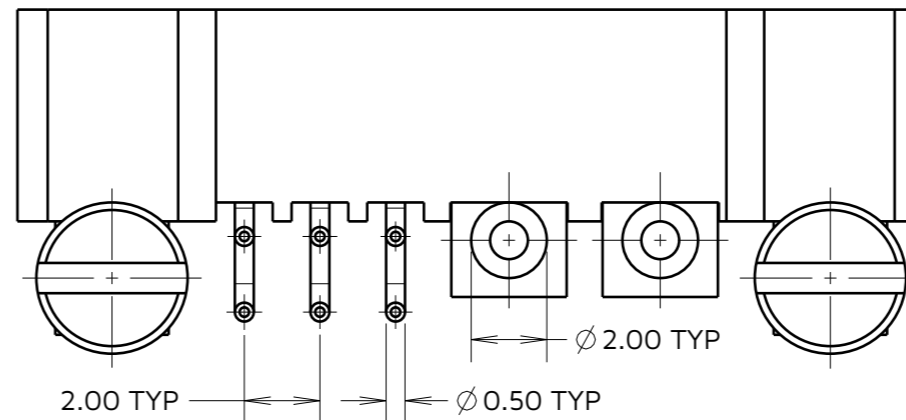
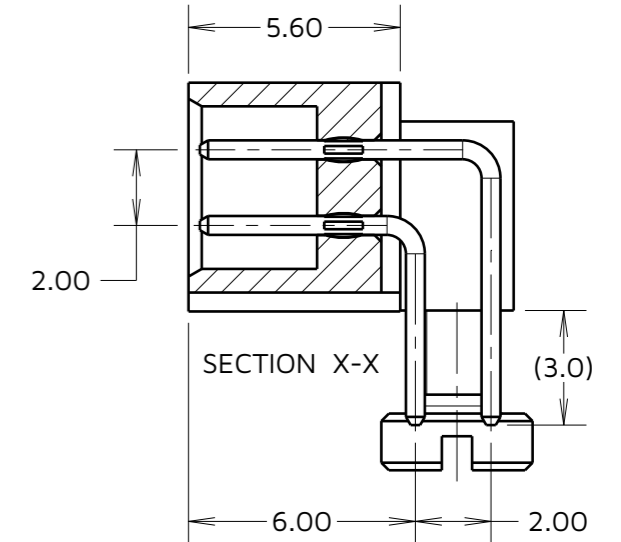
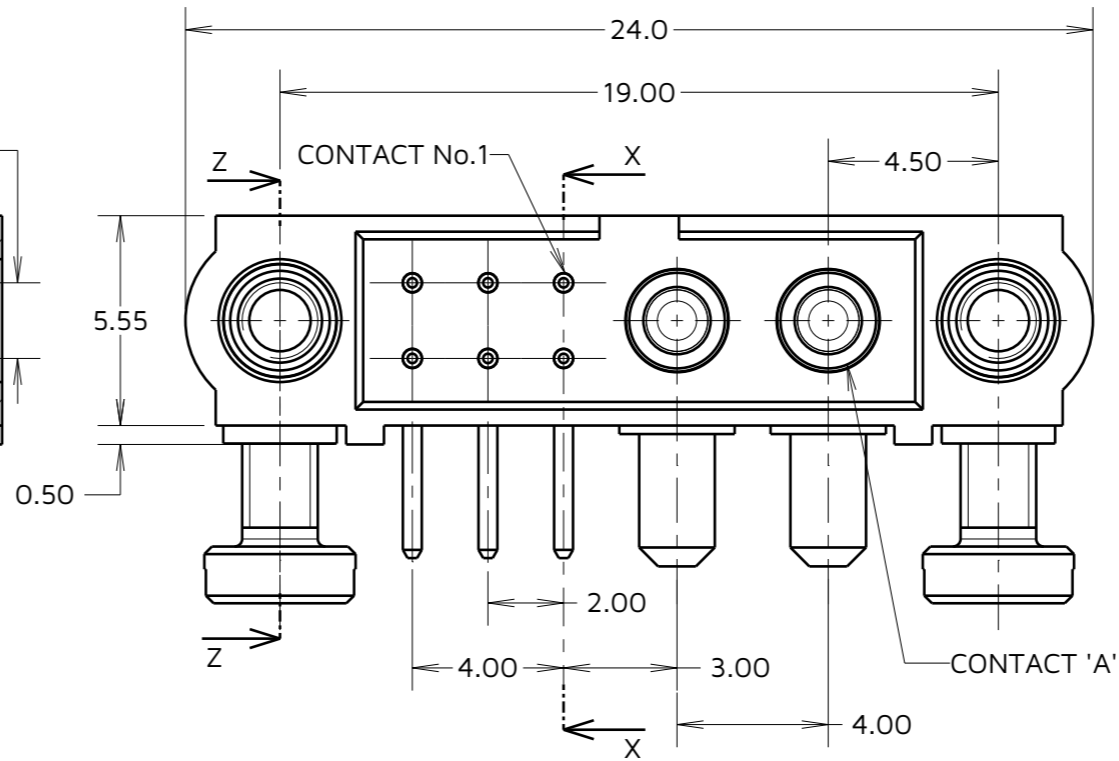
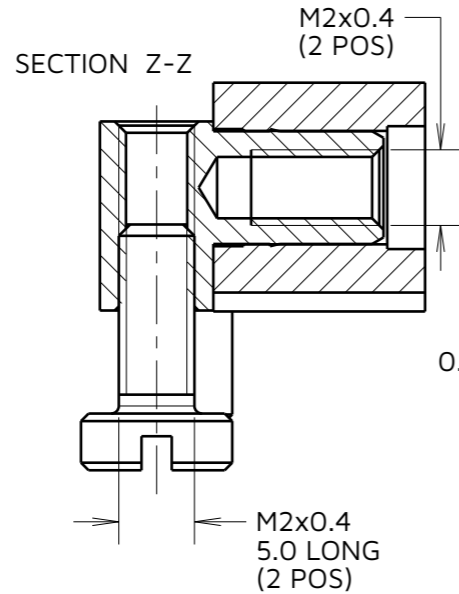
NOT TO SCALE

THIRD ANGLE PROJECTION

ALL DIMENSIONS IN mm

SPECIFICATIONS:

MATERIAL:
 HOUSING: GLASS FILLED PPS, UL94V-0, BLACK
 SIGNAL CONTACT: PHOSPHOR BRONZE
 POWER CONTACT: COPPER ALLOY
 BOARD-MOUNT JACKSCREW, SCREW = STAINLESS STEEL
FINISH:
 SIGNAL CONTACT: GOLD
 POWER CONTACT: GOLD OVER NICKEL
PACKING:
 TUBE
 FOR COMPLETE SPECIFICATION SEE COMPONENT SPECIFICATION C005XX (LATEST ISSUE)



NOTES
 1. SCREWS ARE SUPPLIED LOOSE IN A BAG, NOT ASSEMBLED AS SHOWN

RTP	1	20.03.25	35863
NAME	ISS.	DATE	CN/CO
APPROVED:		J.DEAN	
CHECKED:		A.BOXALL	
DRAWN:		R.PORTLOCK	

HARWIN

www.harwin.com

TOLERANCES
 X. = ±1mm
 X.X = ±0.50mm
 X.XX = ±0.20mm
 X.XXX = ±0.01mm
 ANGLES = ±5°
 UNLESS STATED

THIS DRAWING AND ANY INFORMATION OR DESCRIPTIVE MATTER SET OUT HEREON ARE CONFIDENTIAL AND COPYRIGHT PROPERTY OF THE HARWIN GROUP AND MUST NOT BE DISCLOSED, LOANED, COPIED OR USED FOR MANUFACTURING, TENDERING OR FOR ANY OTHER PURPOSE WITHOUT THEIR WRITTEN PERMISSION.

MATERIAL & FINISH:
 SEE ABOVE

TITLE:
 JACKSCREW DATAMATE
 MIXED TECHNOLOGY VERTICAL
 PC TAIL MALE ASSEMBLY

DRAWING NUMBER:
 M80-5L10605M5-02-PM3-00-000

SHT
 2 OF 2