

Customer Information Sheet

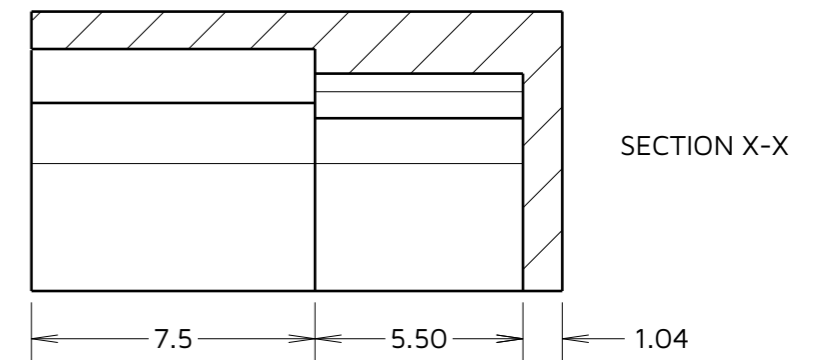
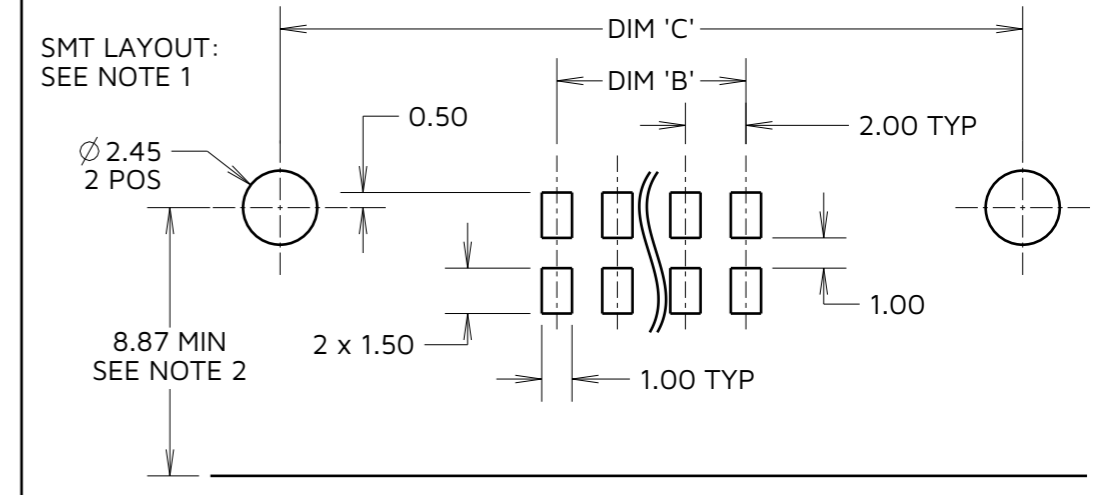
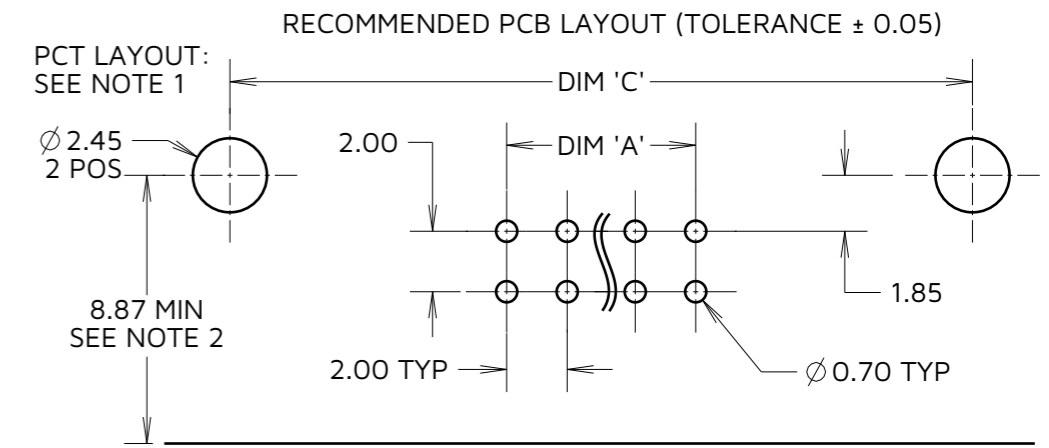
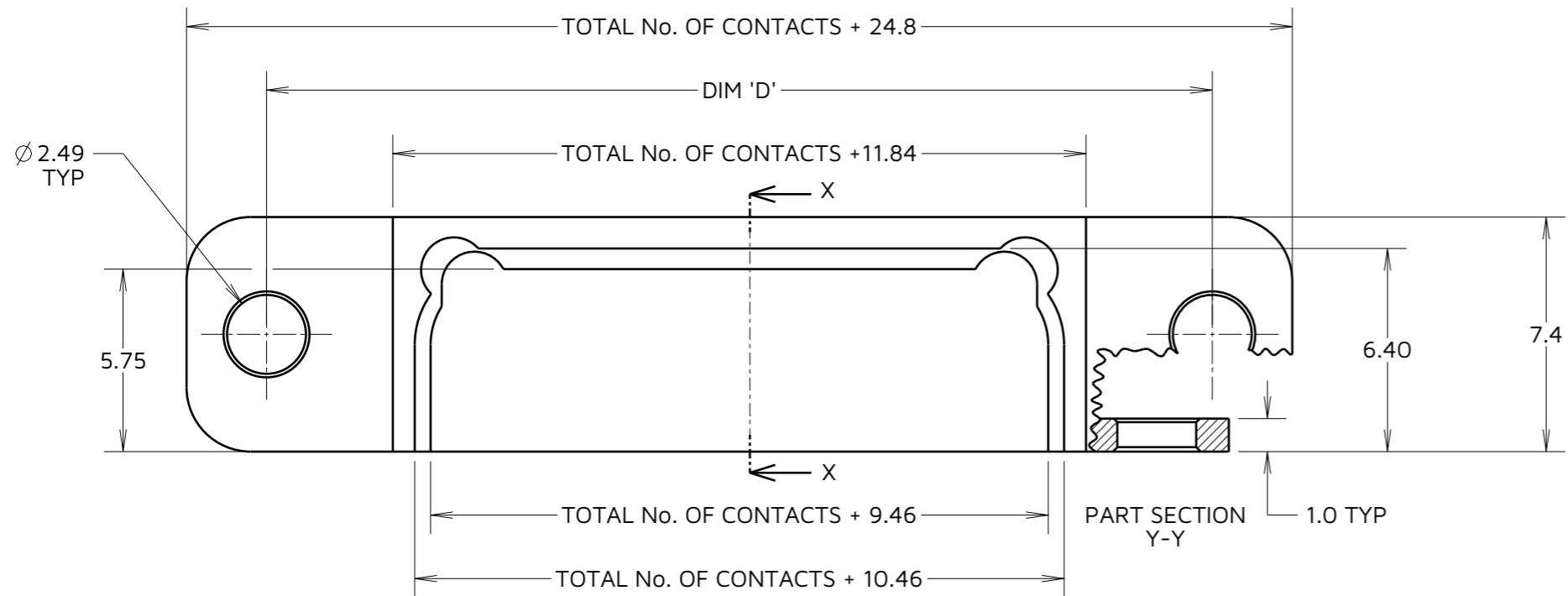
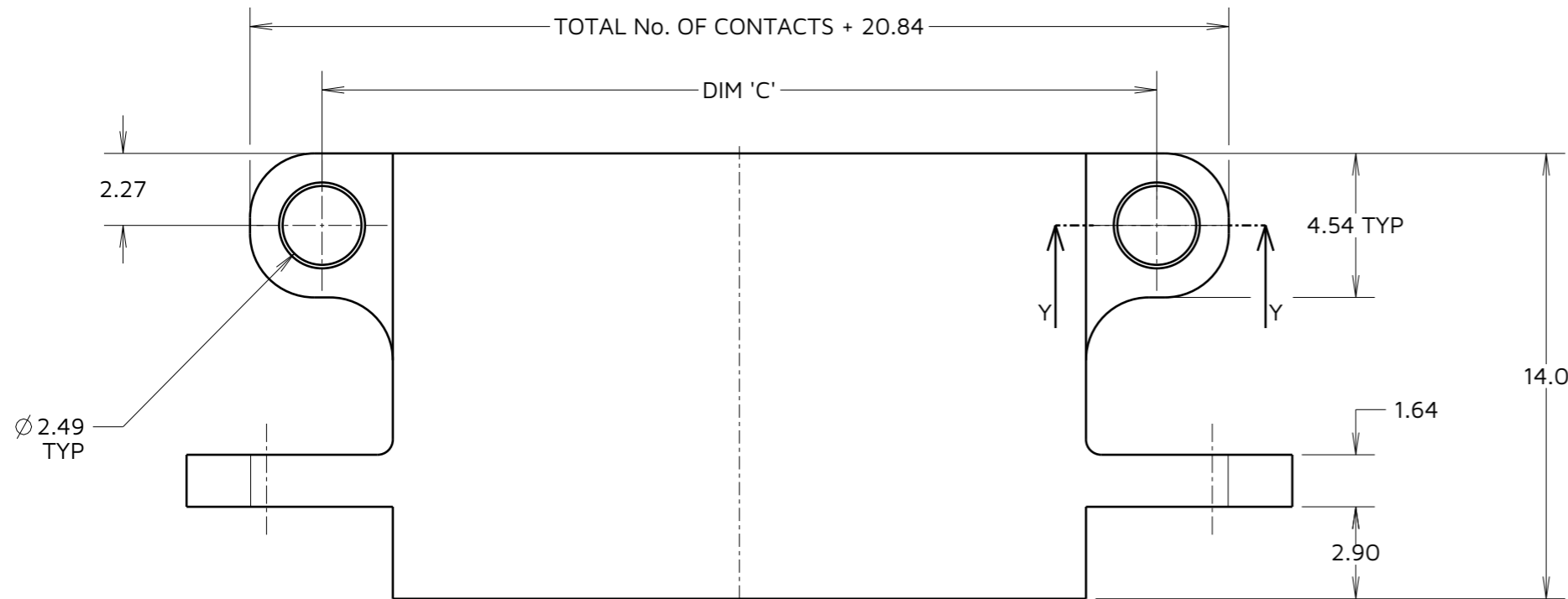
IF IN DOUBT - ASK

©

NOT TO SCALE

THIRD ANGLE PROJECTION

ALL DIMENSIONS IN mm



DIMENSION	CALCULATION
DIM 'A'	TOTAL No. OF CONTACTS - 2
DIM 'B'	TOTAL No. OF CONTACTS - 2
DIM 'C'	TOTAL No. OF CONTACTS + 16.3
DIM 'D'	TOTAL No. OF CONTACTS + 19.8

ORDER CODE:
M80-905XX02
TOTAL No. OF CONTACTS
04 - 50
EVEN NUMBERS ONLY

MJ	4	24.10.24	35088
NAME	ISS.	DATE	CN/CO
APPROVED:	M. JELLEY		
CHECKED:	A. YEOMANS		
DRAWN:	R.ALEXANDER		

- NOTES:
1. ALL PCB LAYOUTS DRAWN WITH MATING FACE BELOW PINS/PADS. LAYOUTS ONLY FOR BACKSHELL MOUNTING, FOR CONNECTOR PCB LAYOUT SEE COMPONENT DRAWING.
2. NOMINAL DISTANCE BETWEEN FRONT OF PANEL TABS AND PCB MOUNTING POINT.

SPECIFICATIONS:
MATERIAL = ALUMINIUM ALLOY
FINISH = ELECTROLESS NICKEL



TOLERANCES
X. = ±1mm
X.X = ±0.50mm
X.XX = ±0.20mm
X.XXX = ±0.01mm
ANGLES = ±5°
UNLESS STATED

THIS DRAWING AND ANY INFORMATION OR DESCRIPTIVE MATTER SET OUT HEREON ARE CONFIDENTIAL AND COPYRIGHT PROPERTY OF THE HARWIN GROUP AND MUST NOT BE DISCLOSED, LOANED, COPIED OR USED FOR MANUFACTURING, TENDERING OR FOR ANY OTHER PURPOSE WITHOUT THEIR WRITTEN PERMISSION.

MATERIAL & FINISH:
SEE ABOVE

TITLE: DATAMATE J-TEK MALE HORIZONTAL SMT REVERSE PANEL MOUNT BACKSHELL

DRAWING NUMBER:
M80-905XX02

Customer Information Sheet

IF IN DOUBT - ASK



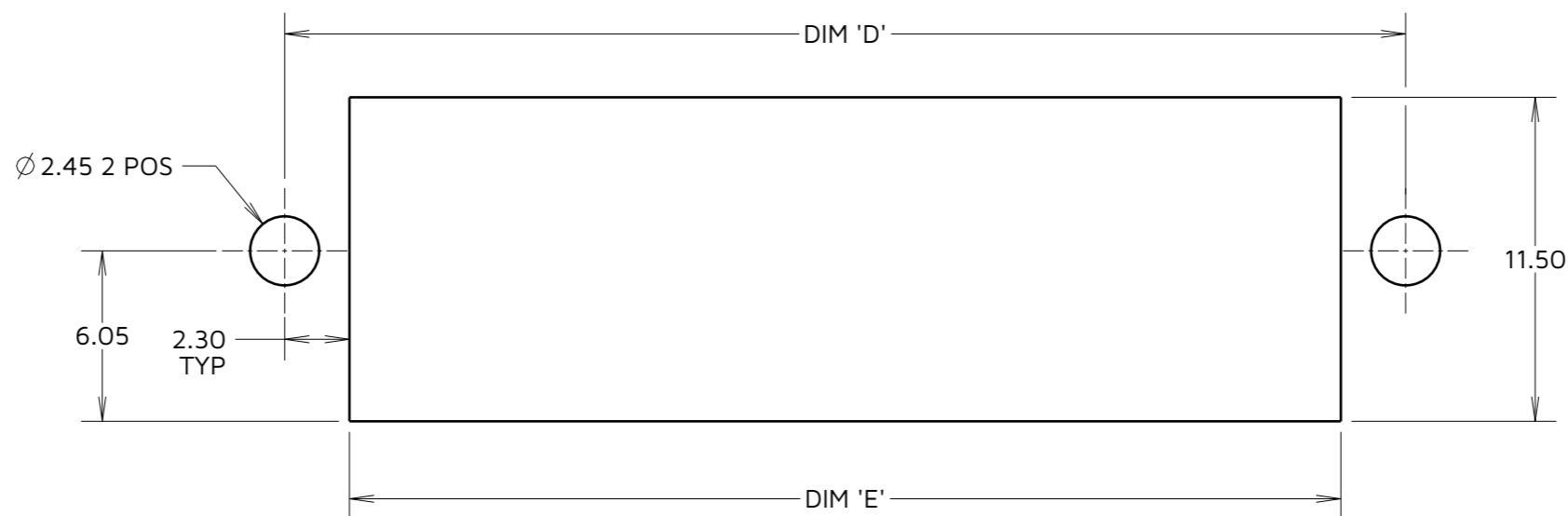
NOT TO SCALE

THIRD ANGLE PROJECTION

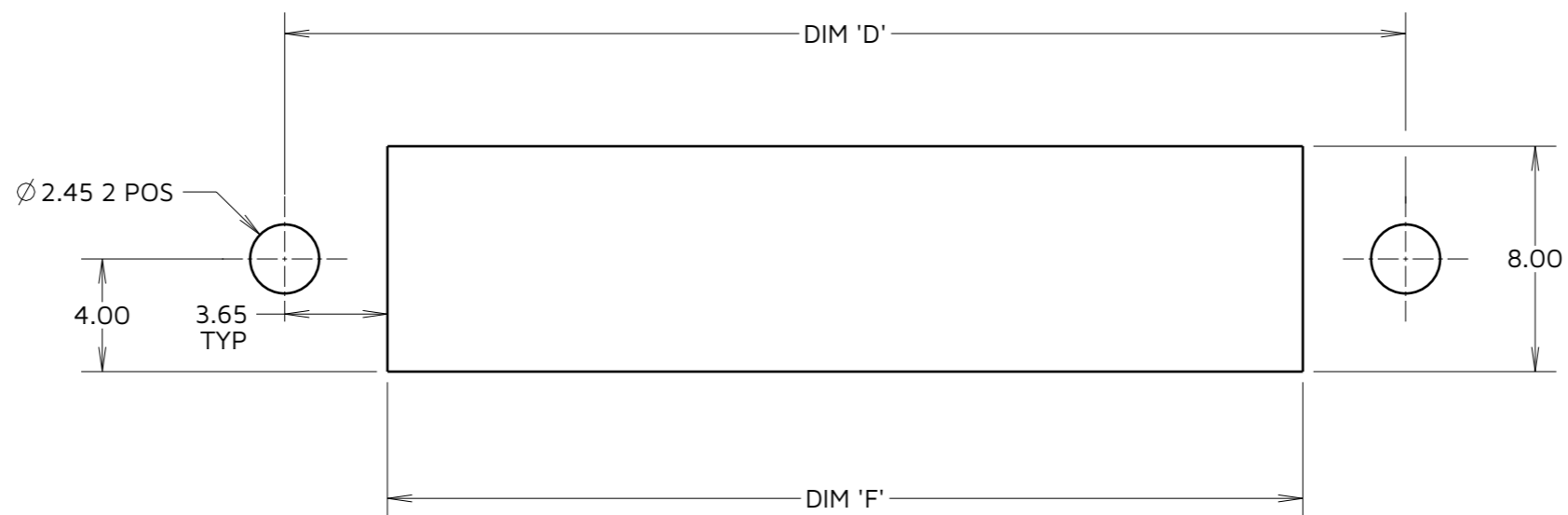
ALL DIMENSIONS IN mm

RECOMMENDED PANEL CUTOUT (TOLERANCE ± 0.05)

FOR USE WITH SHIELDED CABLE:
SEE NOTES 3 & 4



FOR USE WITH UNSHIELDED CABLE:
SEE NOTES 3 & 4



ORDER CODE:
M80-905XX02
TOTAL No. OF CONTACTS
04 - 50
EVEN NUMBERS ONLY

DIMENSION	CALCULATION
DIM 'D'	TOTAL No. OF CONTACTS + 19.8
DIM 'E'	TOTAL No. OF CONTACTS + 15.2
DIM 'F'	TOTAL No. OF CONTACTS + 12.5

MJ	4	24.10.24	35088
NAME	ISS.	DATE	CN/CO
APPROVED:		M. JELLEY	
CHECKED:		A. YEOMANS	
DRAWN:		R.ALEXANDER	

- NOTES:
- ALL PANEL LAYOUTS ARE VIEWED FROM THE FRONT OF THE CONNECTOR WITH THE SHIELD MOUNTED ON TOP.
 - PANELS MAY BE OF ANY THICKNESS WHEN USING THE LAYOUTS ABOVE.

HARWIN

www.harwin.com

TOLERANCES
X. = ± 1 mm
X.X = ± 0.50 mm
X.XX = ± 0.20 mm
X.XXX = ± 0.01 mm
ANGLES = $\pm 5^\circ$
UNLESS STATED

THIS DRAWING AND ANY INFORMATION OR DESCRIPTIVE MATTER SET OUT HEREON ARE CONFIDENTIAL AND COPYRIGHT PROPERTY OF THE HARWIN GROUP AND MUST NOT BE DISCLOSED, LOANED, COPIED OR USED FOR MANUFACTURING, TENDERING OR FOR ANY OTHER PURPOSE WITHOUT THEIR WRITTEN PERMISSION.

MATERIAL & FINISH:
SEE ABOVE

TITLE: DATAMATE J-TEK MALE HORIZONTAL SMT REVERSE PANEL MOUNT BACKSHELL

DRAWING NUMBER:
M80-905XX02

SHT
6 OF 6