

# Customer Information Sheet

IF IN DOUBT - ASK



NOT TO SCALE

THIRD ANGLE PROJECTION

ALL DIMENSIONS IN mm

**SPECIFICATIONS:**

**MATERIAL:**

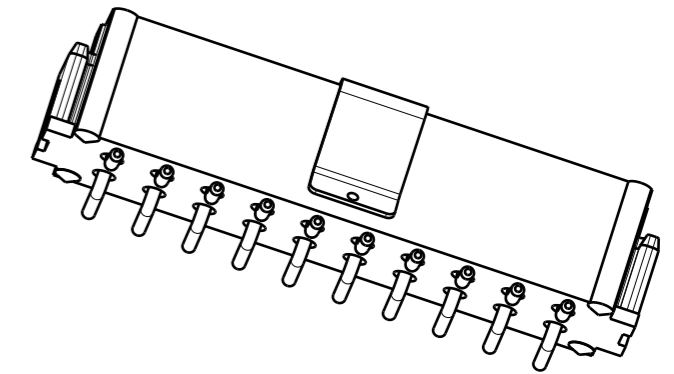
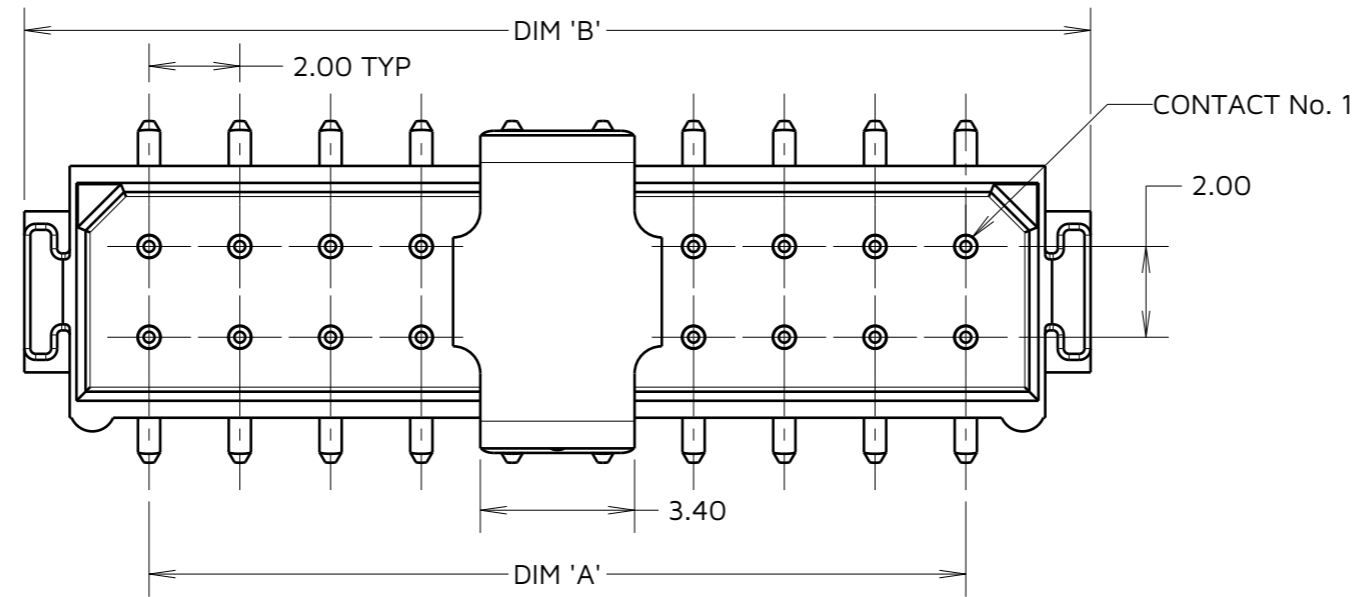
HOUSING = G-F PPS UL94V-0, BLACK  
 CONTACTS = PHOSPHOR BRONZE  
 PICK & PLACE CAP = PHOSPHOR BRONZE

**FINISH:**

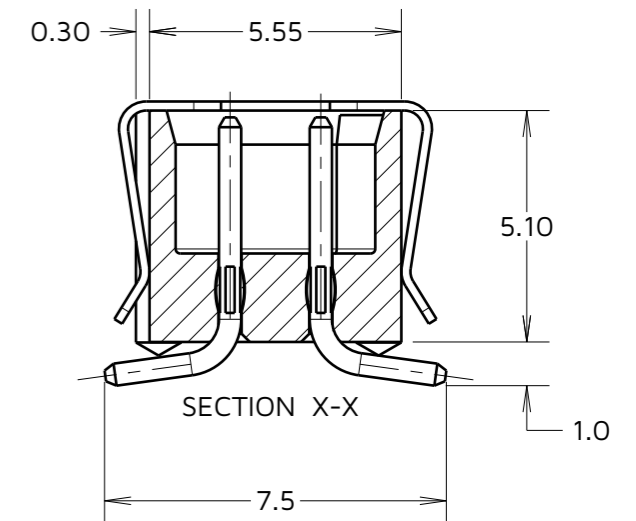
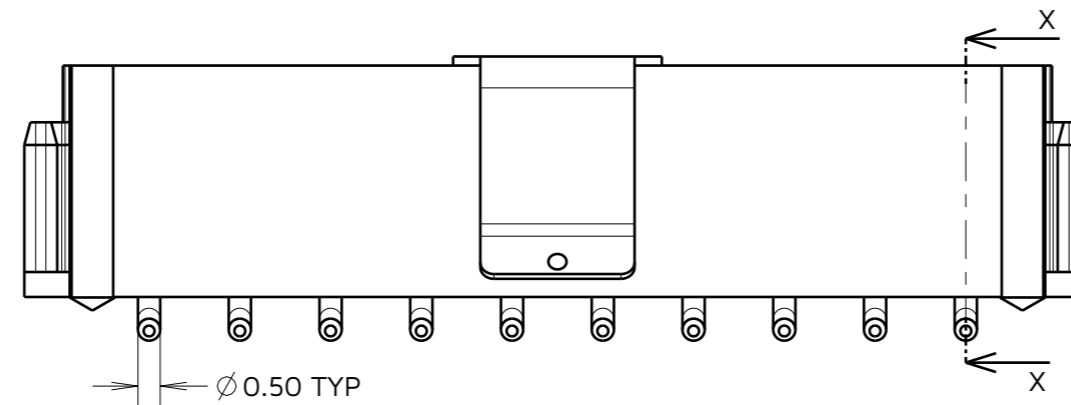
CONTACTS:  
 ALL FINISHES = NICKEL UNDERCOAT  
 22 = GOLD ON CONTACT AREA,  
 90/10 TIN/LEAD ON TAILS  
 42 = GOLD ON CONTACT AREA,  
 100% TIN ON TAILS  
 45 = GOLD ALL OVER

**PACKING:**

TUBE  
 FOR COMPLETE SPECIFICATION, SEE COMPONENT  
 SPECIFICATION C005XX (LATEST ISSUE)

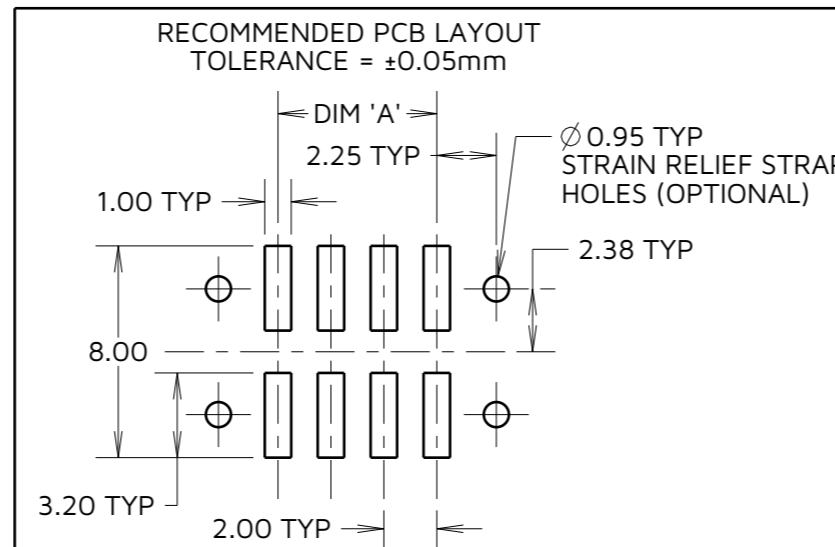


PART No.	WEIGHT (g)
M80-82604XXP	0.33
M80-82606XXP	0.40
M80-82608XXP	0.47
M80-82610XXP	0.54
M80-82612XXP	0.60
M80-82614XXP	0.67
M80-82616XXP	0.74
M80-82618XXP	0.81
M80-82620XXP	0.88
M80-82626XXP	1.09
M80-82634XXP	1.37



DIMENSION	CALCULATION
DIM 'A'	TOTAL No. OF CONTACTS - 2.00
DIM 'B'	TOTAL No. OF CONTACTS + 3.50

EXAMPLE ASSEMBLY WITH DIMENSIONS  
 M80-82620XXP  
 DIM 'A' = 18.00mm, DIM 'B' = 23.50mm



ORDER CODE:  
**M80-826XXXXP**

TOTAL No. OF WAYS  
 04, 06, 08, 10, 12  
 14, 16, 18, 20, 26  
 34

FINISH  
 22 - SELECTIVE GOLD  
 + TIN/LEAD  
 42 - SELECTIVE GOLD  
 + 100% TIN  
 45 - GOLD

MJ	13	19.12.24	35293
NAME	ISS.	DATE	CN/CO
APPROVED: M. JELLEY			
CHECKED: R. ALEXANDER			
DRAWN: J. EVANS			

NOTES:  
 1. 2-OFF STRAIN RELIEF STRAPS M80-0030006 MAY BE USED WITH THIS CONNECTOR.  
 2. M80-82620XXP IS SHOWN FOR ILLUSTRATION PURPOSES, SEE ORDER CODE FOR VARIANTS.



www.harwin.com

TOLERANCES  
 X. = ±1mm  
 X.X = ±0.50mm  
 X.XX = ±0.20mm  
 X.XXX = ±0.01mm  
 ANGLES = ±5°  
 UNLESS STATED

THIS DRAWING AND ANY INFORMATION OR DESCRIPTIVE MATTER SET OUT HEREON ARE CONFIDENTIAL AND COPYRIGHT PROPERTY OF THE HARWIN GROUP AND MUST NOT BE DISCLOSED, LOANED, COPIED OR USED FOR MANUFACTURING, TENDERING OR FOR ANY OTHER PURPOSE WITHOUT THEIR WRITTEN PERMISSION.

MATERIAL & FINISH:  
 SEE ABOVE

TITLE: **DATAMATE L-TEK MALE DIL VERTICAL SMT ASSEMBLY - UNLATCHED, P/PLACE**

DRAWING NUMBER:  
**M80-826XXXXP**

SHT 2 OF 2