

# Customer Information Sheet

IF IN DOUBT - ASK

©

NOT TO SCALE

THIRD ANGLE PROJECTION

ALL DIMENSIONS IN mm

**SPECIFICATION:**

**MATERIAL:**

CONTACT SHELL = BRASS

CONTACT CLIP = BERYLLIUM COPPER

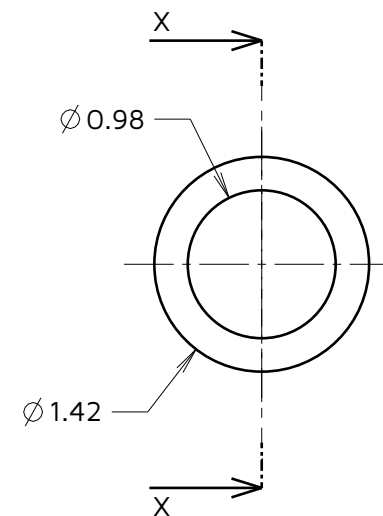
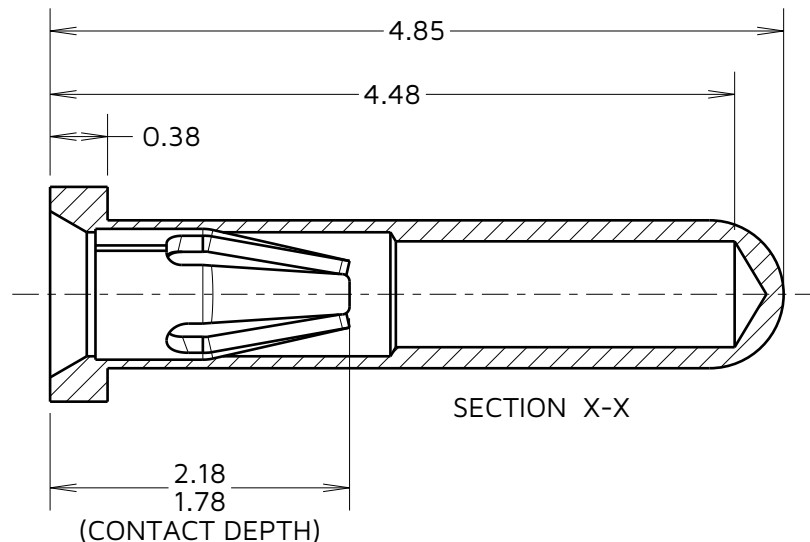
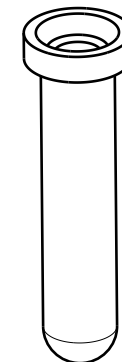
**FINISH:**

SEE ORDER CODE

FOR ELECTRICAL/MECHANICAL SPECIFICATION

SEE COMPONENT SPECIFICATION C006XX

(LATEST ISSUE)



**NOTES:**

1. RECOMMENDED MOUNTING HOLE =  $\phi 1.10\text{mm} \pm 0.05$ .

2. RECOMMENDED PIN SIZE =  $\phi 0.46\text{-}0.51\text{mm}$ .

ORDER CODE:  
**H3191-XX**  
 FINISH: \_\_\_\_\_  
 01 = GOLD CLIP, TIN SHELL  
 05 = GOLD CLIP, GOLD SHELL  
 46 = 100% TIN CLIP, TIN SHELL

AB	8	23.08.24	34124
NAME	ISS.	DATE	CN/CO
APPROVED:		A.BOXALL	
CHECKED:		R. ALEXANDER	
DRAWN:		J.CLAY	



www.harwin.com

**TOLERANCES**

X. =  $\pm 1\text{mm}$   
 X.X =  $\pm 0.50\text{mm}$   
 X.XX =  $\pm 0.20\text{mm}$   
 X.XXX =  $\pm 0.01\text{mm}$   
 ANGLES =  $\pm 5^\circ$   
 UNLESS STATED

THIS DRAWING AND ANY INFORMATION OR DESCRIPTIVE MATTER SET OUT HEREON ARE CONFIDENTIAL AND COPYRIGHT PROPERTY OF THE HARWIN GROUP AND MUST NOT BE DISCLOSED, LOANED, COPIED OR USED FOR MANUFACTURING, TENDERING OR FOR ANY OTHER PURPOSE WITHOUT THEIR WRITTEN PERMISSION.

**MATERIAL & FINISH:**

SEE ABOVE

**TITLE:**

**SUB-MINIATURE  
 SOCKET ASSEMBLY**

**DRAWING NUMBER:**

**H3191-XX**

SHT  
 2  
 OF 2