

Customer Information Sheet

IF IN DOUBT - ASK

©

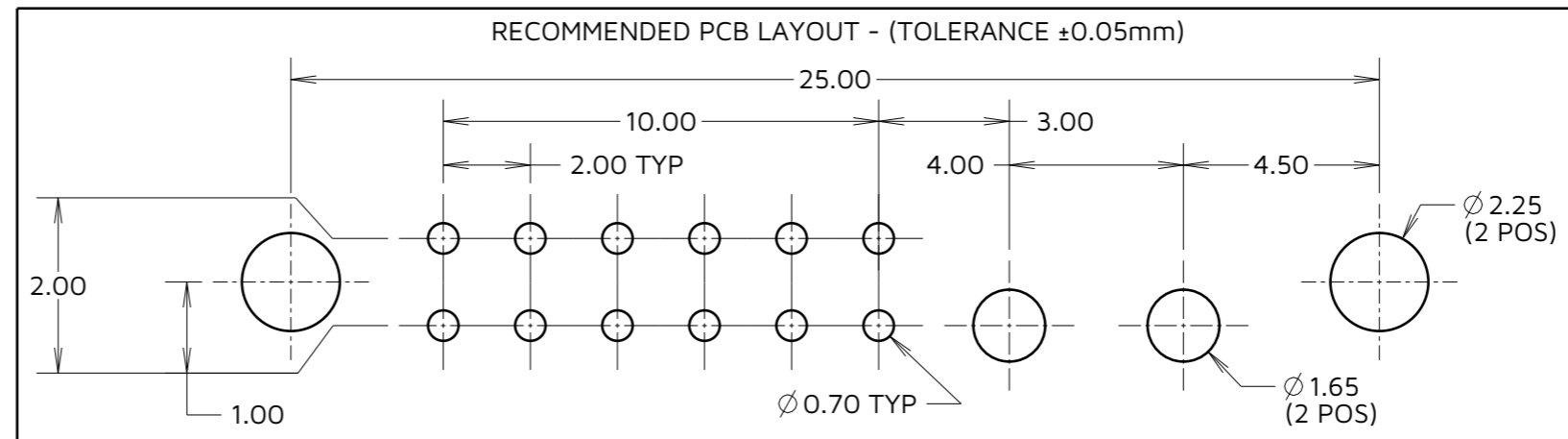
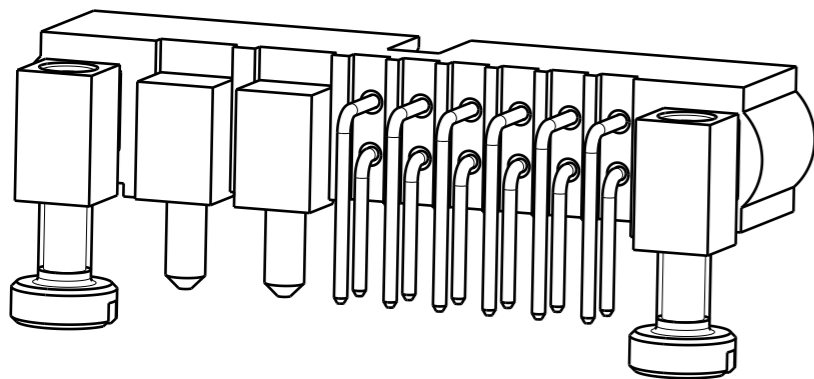
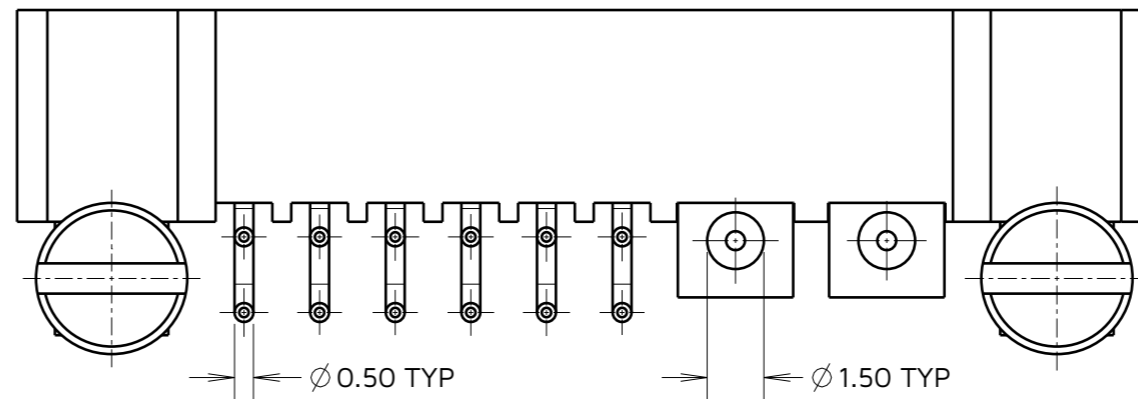
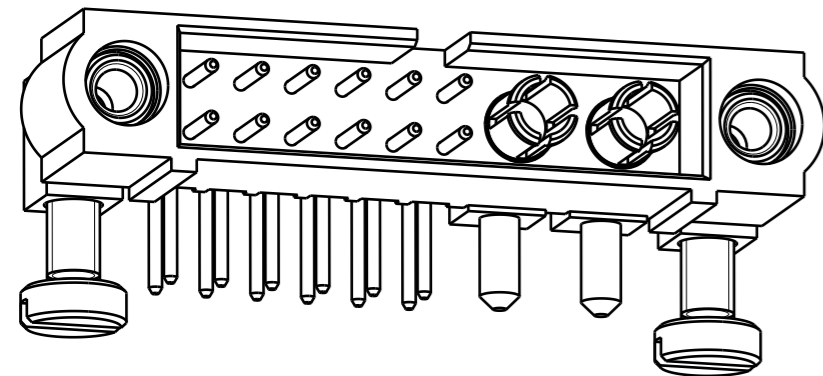
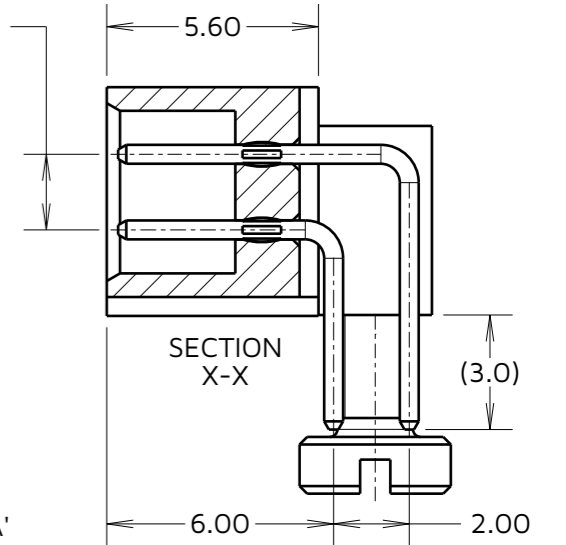
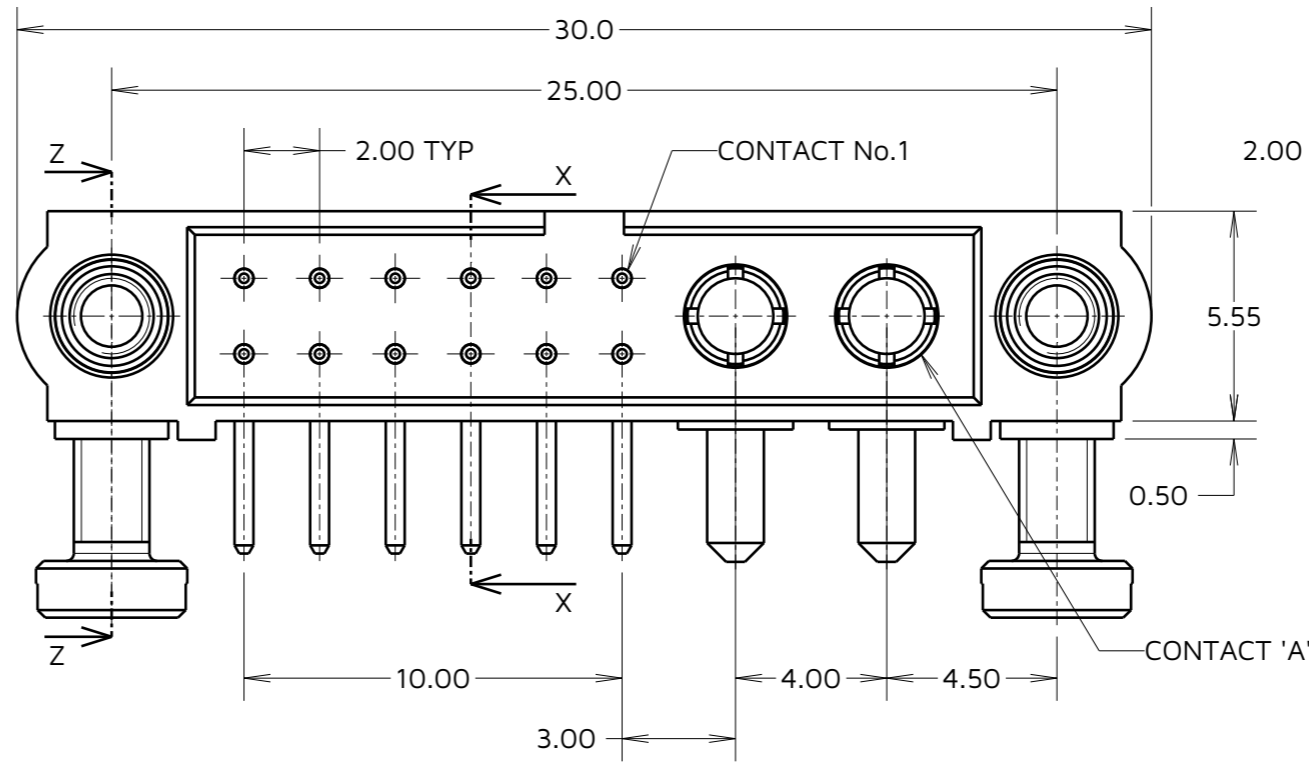
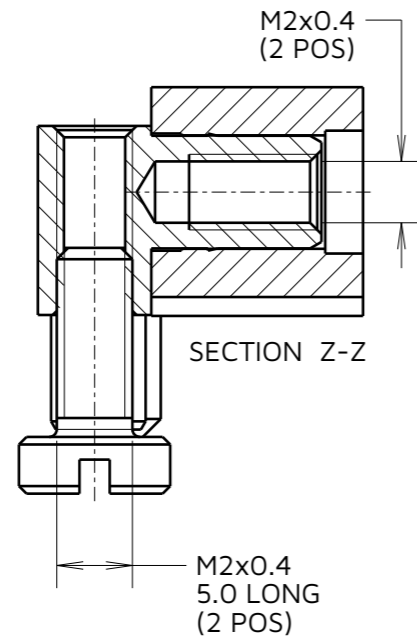
NOT TO SCALE

THIRD ANGLE PROJECTION

ALL DIMENSIONS IN mm

SPECIFICATIONS:

MATERIAL:
 HOUSING: GLASS FILLED PPS, UL94V-0, BLACK
 SIGNAL CONTACT: PHOSPHOR BRONZE
 POWER CONTACT: COPPER ALLOY
 BOARD-MOUNT JACKSCREW, SCREW: STAINLESS STEEL
 FINISH:
 SIGNAL CONTACT: GOLD
 POWER CONTACT: GOLD OVER NICKEL
 PACKING:
 TUBE
 FOR COMPLETE SPECIFICATION SEE COMPONENT
 SPECIFICATION C005XX (LATEST ISSUE)



NOTES:

1. SCREWS ARE SUPPLIED LOOSE IN A BAG, NOT ASSEMBLED AS SHOWN

HARWIN

www.harwin.com

TOLERANCES
 X. = ±1mm
 X.X = ±0.50mm
 X.XX = ±0.20mm
 X.XXX = ±0.01mm
 ANGLES = ±5°
 UNLESS STATED

THIS DRAWING AND ANY INFORMATION OR DESCRIPTIVE MATTER SET OUT HEREON ARE CONFIDENTIAL AND COPYRIGHT PROPERTY OF THE HARWIN GROUP AND MUST NOT BE DISCLOSED, LOANED, COPIED OR USED FOR MANUFACTURING, TENDERING OR FOR ANY OTHER PURPOSE WITHOUT THEIR WRITTEN PERMISSION.

MATERIAL & FINISH:
 SEE ABOVE

TITLE: JACKSCREW DATAMATE
 MIXED TECHNOLOGY HORIZONTAL
 PC TAIL MALE ASSEMBLY

DRAWING NUMBER:
 M80-5L11205M5-02-333-00-000

SHT
 2 OF 2

| | | | |
|-----------------------|------|----------|-------|
| MJ | 2 | 08.11.24 | 34803 |
| NAME | ISS. | DATE | CN/CO |
| APPROVED: M. JELLEY | | | |
| CHECKED: R. ALEXANDER | | | |
| DRAWN: R.PORTLOCK | | | |