

Customer Information Sheet

IF IN DOUBT - ASK

©

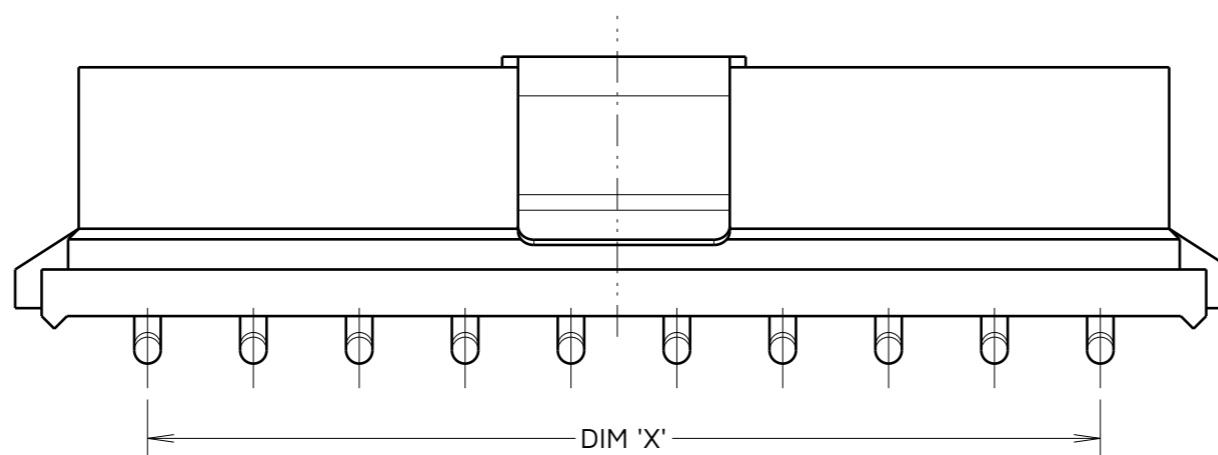
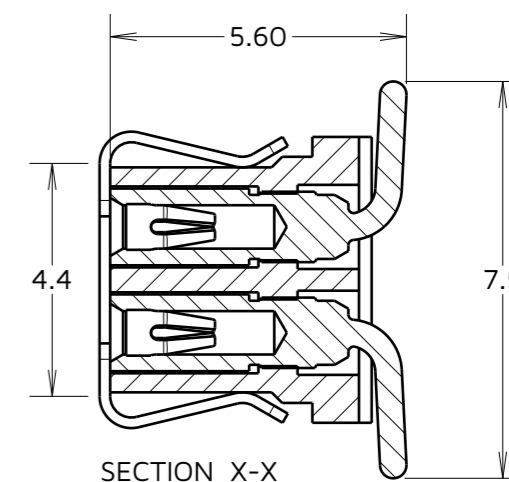
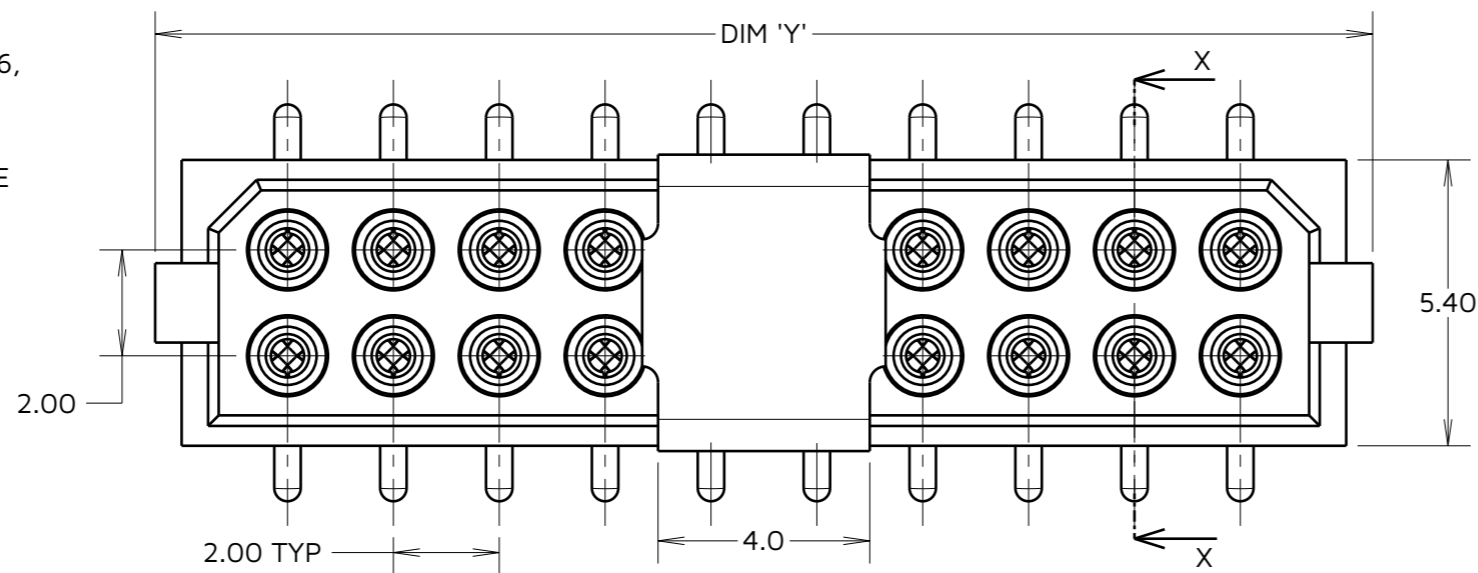
NOT TO SCALE

THIRD ANGLE PROJECTION

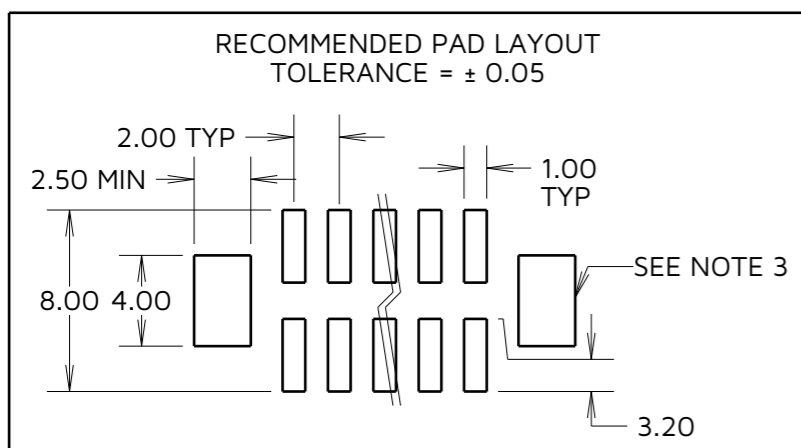
ALL DIMENSIONS IN mm

SPECIFICATIONS:

MATERIAL:
 HOUSING = GLASS-FILLED POLYAMIDE 46,
 UL94V-0, BLACK
 CONTACT CLIP = BERYLLIUM COPPER
 CONTACT SHELL = BRASS
 PICK & PLACE CAP = PHOSPHOR BRONZE
FINISH:
 01 = GOLD CLIP, TIN/LEAD SHELL
 42 = GOLD CLIP, 100% TIN SHELL
 45 = GOLD CLIP, GOLD SHELL
PACKING: TUBE



PART No.	DIM 'X'	DIM 'Y'	WEIGHT (g)
M80-68104XXP	2.00	7.15	0.40
M80-68106XXP	4.00	9.15	0.54
M80-68108XXP	6.00	11.15	0.68
M80-68110XXP	8.00	13.15	0.82
M80-68112XXP	10.00	15.15	0.96
M80-68116XXP	14.00	19.15	1.24
M80-68118XXP	16.00	21.15	1.38
M80-68120XXP	18.00	23.15	1.52
M80-68122XXP	20.00	25.15	1.66
M80-68124XXP	22.00	27.15	1.80
M80-68126XXP	24.00	29.15	1.94
M80-68128XXP	26.00	31.15	2.08
M80-68130XXP	28.00	33.15	2.22
M80-68132XXP	30.00	35.15	2.35
M80-68134XXP	32.00	37.15	2.49
M80-68136XXP	34.00	39.15	2.63
M80-68144XXP	42.00	47.15	3.19



ORDER CODE:
M80-681XXXXP
 TOTAL No. OF CONTACTS
 04, 06, 08, 10, 12, 14,
 16, 18, 20, 26, 34, 44
FINISH
 01 - GOLD CLIP, TIN/LEAD SHELL
 42 - GOLD CLIP, 100% TIN SHELL
 45 - GOLD CLIP, GOLD SHELL

MJ	3	13.12.24	35293
NAME	ISS.	DATE	CN/CO
APPROVED: M. JELLEY			
CHECKED: R. ALEXANDER			
DRAWN: W. J. BOURNE			

- NOTES:**
- FOR CONNECTOR WITHOUT PICK AND PLACE PAD, SEE DRAWING M80-681XXXX.
 - M80-68120XXP IS SHOWN FOR ILLUSTRATION PURPOSE, SEE ORDER CODE FOR
 - (OPTIONAL) HOLES REQUIRED FOR USE WITH LATCHED MALE CONNECTORS VARIANTS

HARWIN

www.harwin.com

TOLERANCES
 X. = ±1mm
 X.X = ±0.50mm
 X.XX = ±0.20mm
 X.XXX = ±0.01mm
 ANGLES = ±5°
 UNLESS STATED

THIS DRAWING AND ANY INFORMATION OR DESCRIPTIVE MATTER SET OUT HEREON ARE CONFIDENTIAL AND COPYRIGHT PROPERTY OF THE HARWIN GROUP AND MUST NOT BE DISCLOSED, LOANED, COPIED OR USED FOR MANUFACTURING, TENDERING OR FOR ANY OTHER PURPOSE WITHOUT THEIR WRITTEN PERMISSION.

MATERIAL & FINISH:
 SEE ABOVE

TITLE: DATAMATE DIL VERTICAL SMT SOCKET ASSEMBLY (WITH PICK & PLACE CAP)

DRAWING NUMBER:
 M80-681XXXXP

SHT
 2 OF 2