

Customer Information Sheet

IF IN DOUBT - ASK

©

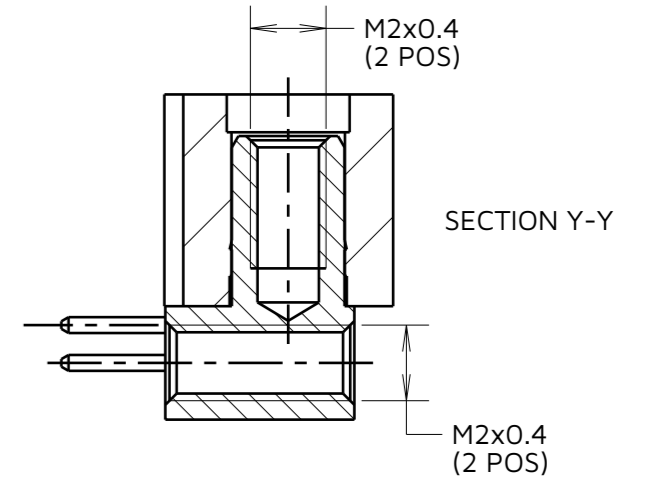
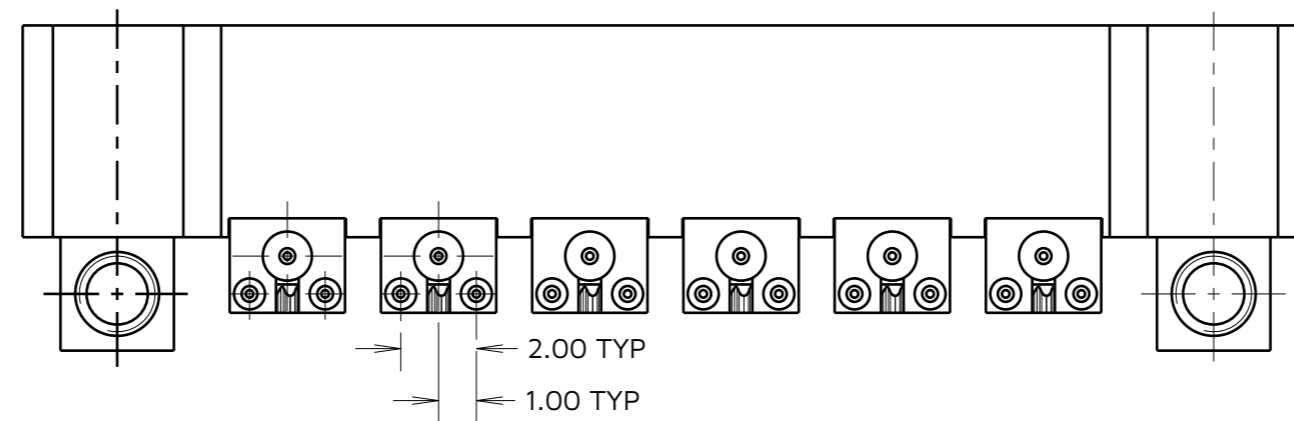
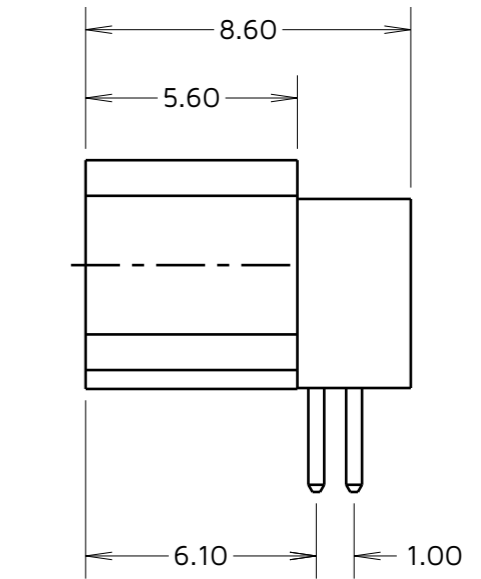
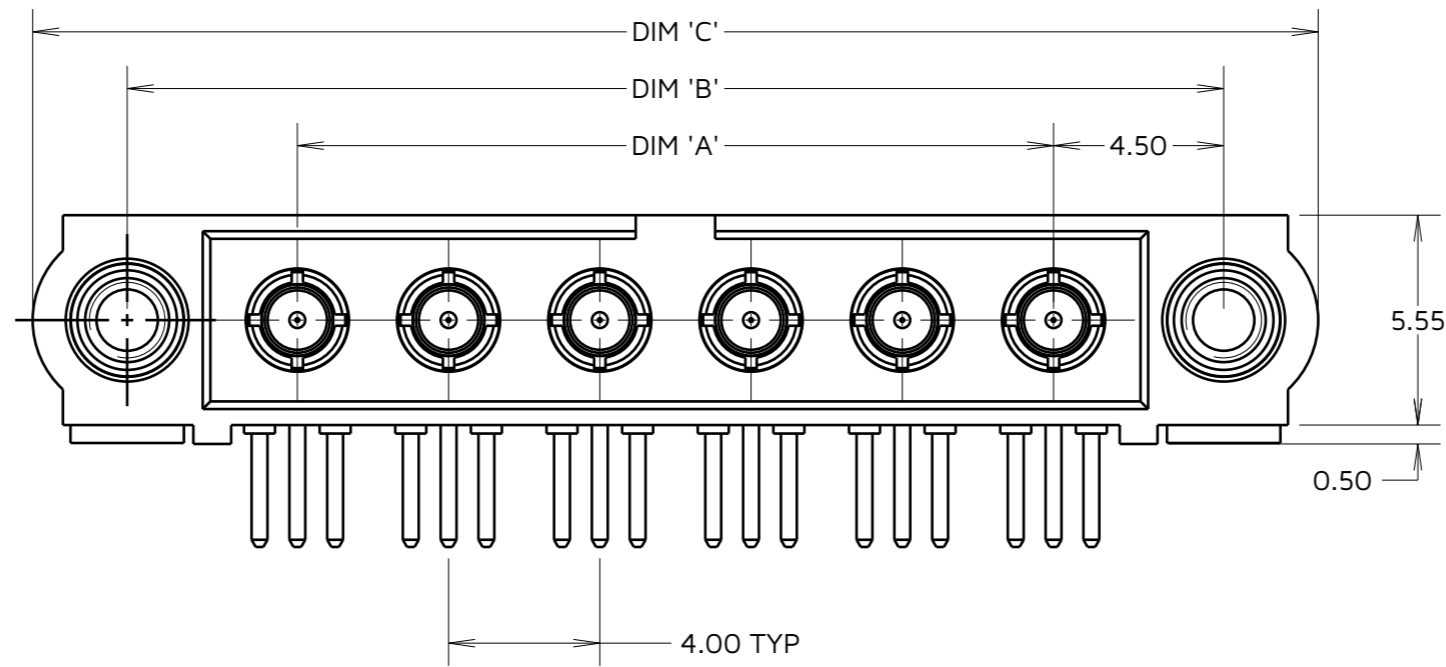
NOT TO SCALE

THIRD ANGLE PROJECTION

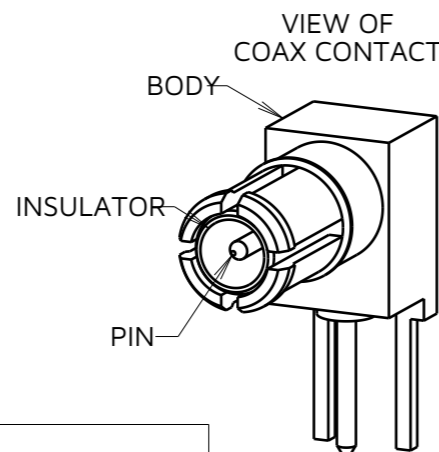
ALL DIMENSIONS IN mm

SPECIFICATIONS:

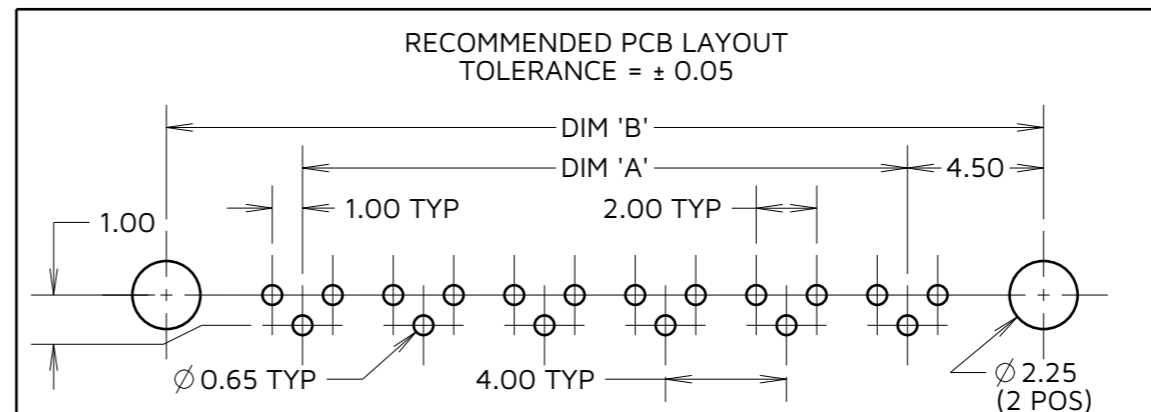
MATERIAL:
 HOUSING = GLASS FILLED PPS, UL94V-0, BLACK
COAX CONTACT:
 BODY = COPPER ALLOY
 INNER CONTACT = COPPER ALLOY
 INSULATOR = PTFE
 JACKSCREW = STAINLESS STEEL
FINISH:
 COAX CONTACT:
 BODY, INNER CONTACT = GOLD
PACKING:
 TUBE
 FOR COMPLETE SPECIFICATION SEE COMPONENT SPECIFICATION CO05XX (LATEST ISSUE)



NOTES:
 1. JACKSCREW BOLTS SHOULD BE PURCHASED SEPARATELY - PART NUMBER M80-2270000B FOR A BAG OF 12.



ORDER CODE:
M80-MH313M5-XX
 COAX CONTACTS _____
 313 = 3.0mm HORIZONTAL PC TAIL (M80-313)
 TOTAL No. OF CONTACTS _____
 02, 04, 06, 08



DIMENSION	CALCULATION
DIM 'A'	4 x No. OF CONTACTS - 4.00
DIM 'B'	4 x No. OF CONTACTS + 5.00
DIM 'C'	4 x No. OF CONTACTS + 10.00
EXAMPLE: CONNECTOR WITH 8 COAX CONTACTS, M80-MH313M5-08 DIM 'A' = 28.00mm, DIM 'B' = 37.00mm, DIM 'C' = 42.00mm	

MJ	4	05.11.24	34803
NAME	ISS.	DATE	CN/CO
APPROVED:		M. JELLEY	
CHECKED:		R. ALEXANDER	
DRAWN:		W. J. PRESTON	

HARWIN

www.harwin.com

TOLERANCES
 X. = ±1mm
 X.X = ±0.50mm
 X.XX = ±0.20mm
 X.XXX = ±0.01mm
 ANGLES = ±5°
 UNLESS STATED

THIS DRAWING AND ANY INFORMATION OR DESCRIPTIVE MATTER SET OUT HEREON ARE CONFIDENTIAL AND COPYRIGHT PROPERTY OF THE HARWIN GROUP AND MUST NOT BE DISCLOSED, LOANED, COPIED OR USED FOR MANUFACTURING, TENDERING OR FOR ANY OTHER PURPOSE WITHOUT THEIR WRITTEN PERMISSION.

MATERIAL & FINISH:
 SEE ABOVE

TITLE: DATAMATE COAX MALE ASSEMBLY, HORIZONTAL BOARD MOUNT JACKSCREW

DRAWING NUMBER: M80-MH313M5-XX

SHT 2 OF 2