

# Customer Information Sheet

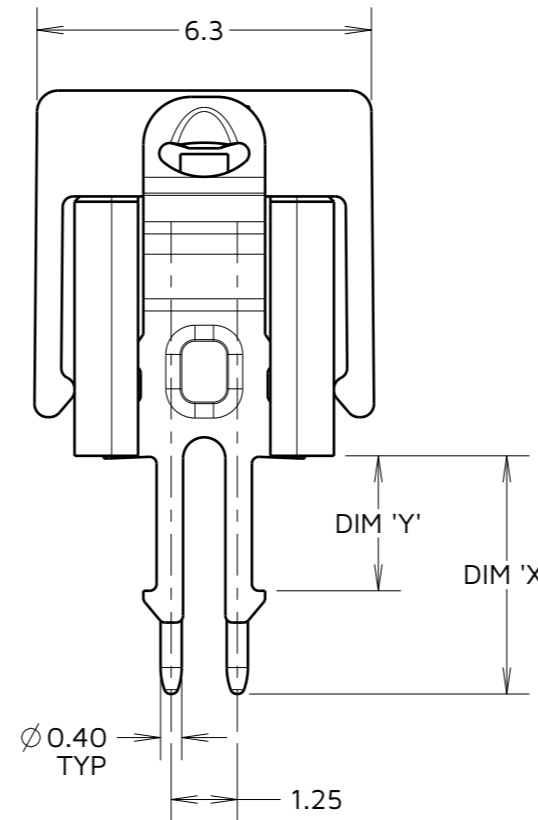
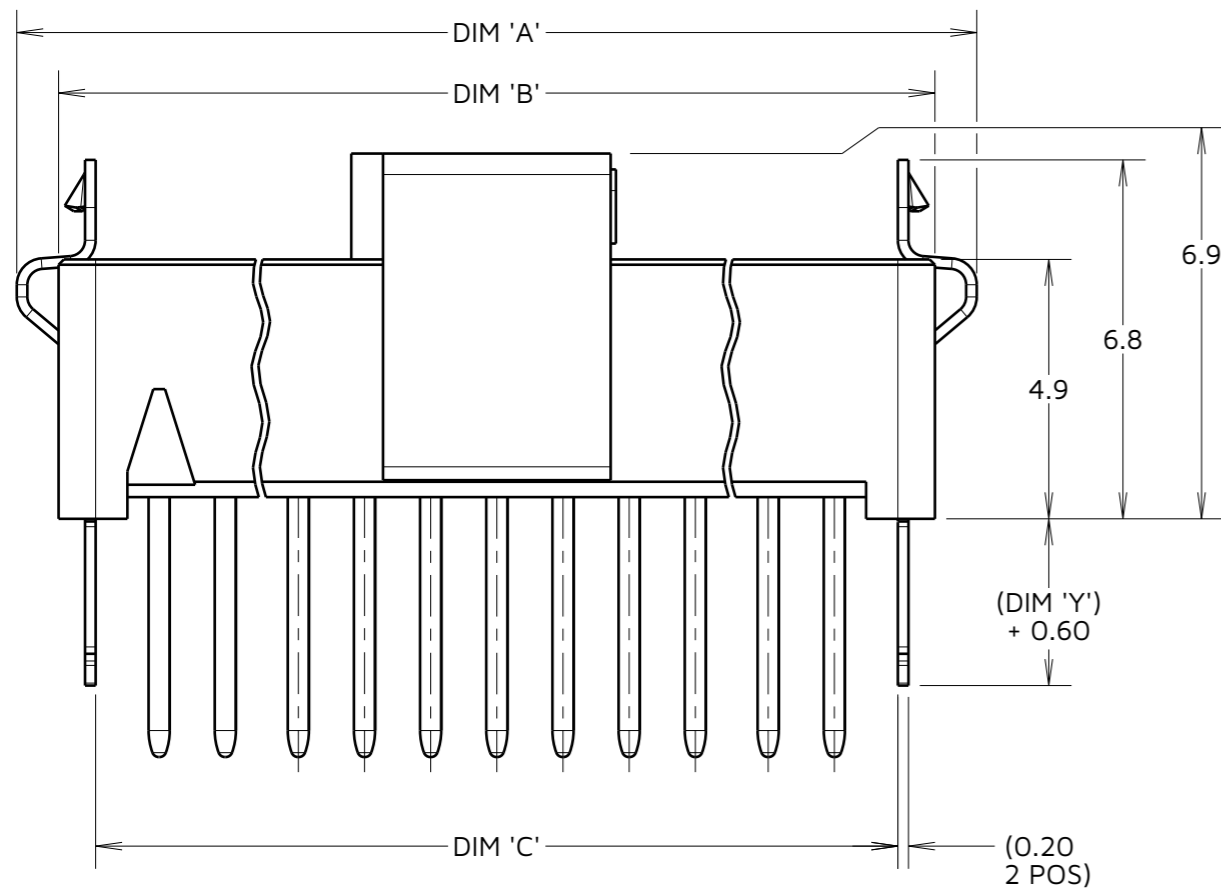
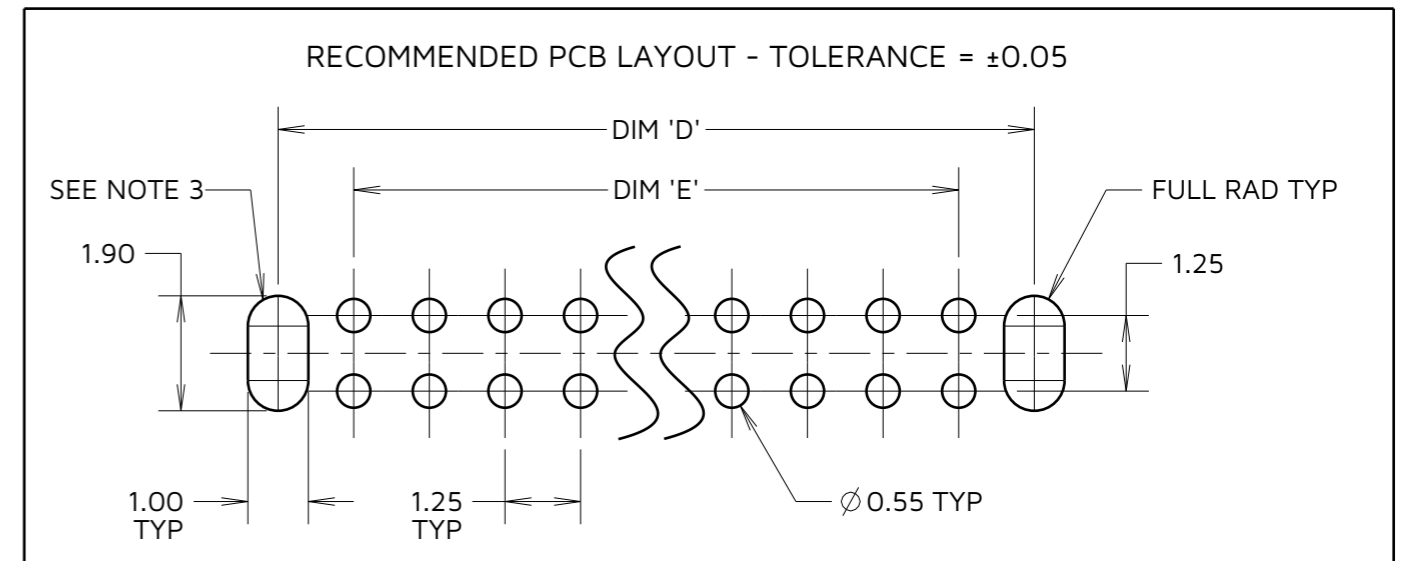
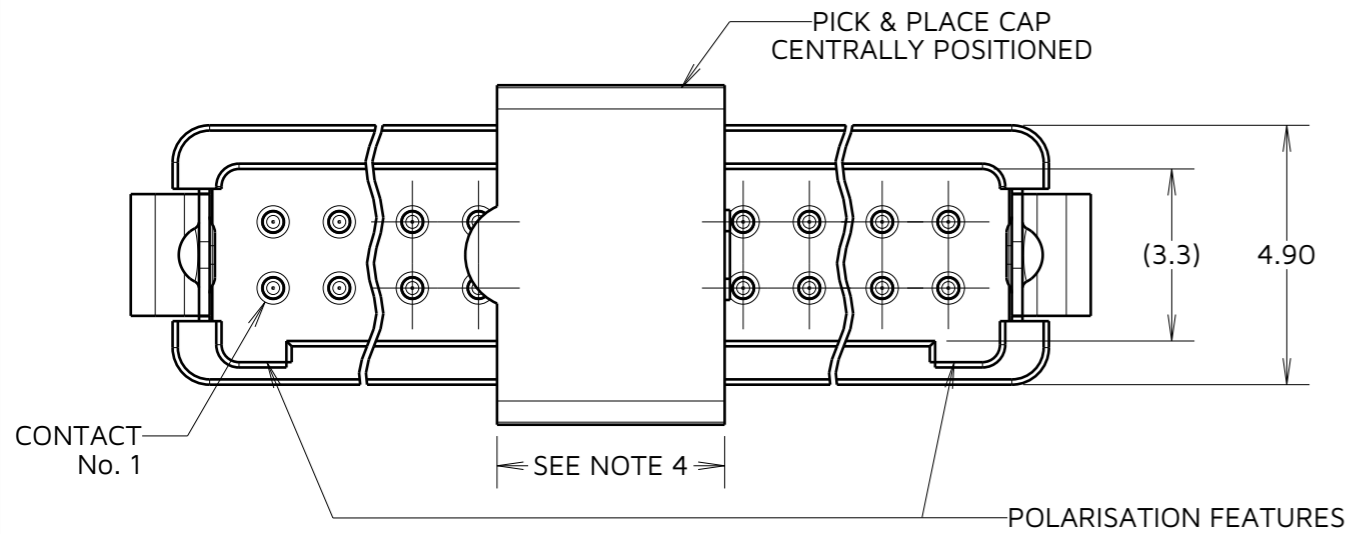
IF IN DOUBT - ASK



NOT TO SCALE

THIRD ANGLE PROJECTION

ALL DIMENSIONS IN mm



PART No.	DIM 'A'	DIM 'B'	DIM 'C'	DIM 'D'	DIM 'E'
G125-MVX0605LXR	7.70	6.30	4.90	5.00	2.50
G125-MVX1005LXR	10.20	8.80	7.40	7.50	5.00
G125-MVX1205LXR	11.45	10.05	8.65	8.75	6.25
G125-MVX1605LXR	13.95	12.55	11.15	11.25	8.75
G125-MVX2005LXR	16.45	15.05	13.65	13.75	11.25
G125-MVX2605LXR	20.20	18.80	17.40	17.50	15.00
G125-MVX3405LXR	25.20	23.80	22.40	22.50	20.00
G125-MVX5005LXR	35.20	33.80	32.40	32.50	30.00

ORDER CODE: **G125-MVXXX05LXR**

CONTACT STYLE: \_\_\_\_\_  
 3.00MM PC-TAIL = V1  
 4.50MM PC-TAIL = V2

TOTAL No. OF CONTACTS: \_\_\_\_\_  
 06, 10, 12, 16, 20, 26, 34, 50

LATCHES: \_\_\_\_\_  
 NO LATCHES = L0  
 1.6mm LATCHES = L1  
 2.4mm LATCHES = L2

CONNECTOR DETAILS AND PCB LAYOUT ONLY. SEE SHEET 5 FOR TAPE AND REEL DETAILS.

CONTACT STYLE	DIM 'X'	LATCH STYLE	DIM 'Y'
V1	3.00	L0	NO LATCH
		L1	1.70
V2	4.50	L0	NO LATCH
		L2	2.50

- NOTES:
- FOR COMPLETE SPECIFICATION, SEE COMPONENT SPECIFICATION C125XX (LATEST ISSUE).
  - LATCHES SHOWN FOR ILLUSTRATION ONLY. WHEN "L0" IS SPECIFIED IN ORDER CODE NO LATCHES WILL BE FITTED/SUPPLIED.
  - SLOTS NOT REQUIRED WHEN "L0" IS SPECIFIED IN ORDER CODE.
  - PICK AND PLACE CAP LENGTH = 4.3mm ON ALL PART NUMBERS EXCEPT G125-MVX0605LXR ON THIS PART LENGTH = 3.3mm.

GS	7	11.06.25	36148
NAME	ISS.	DATE	CN/CO
APPROVED:		G.STIRZAKER	
CHECKED:		M.JELLEY	
DRAWN:		S.FLOWER	

**HARWIN**

www.harwin.com

TOLERANCES  
 X. =  $\pm 1$ mm  
 X.X =  $\pm 0.50$ mm  
 X.XX =  $\pm 0.20$ mm  
 X.XXX =  $\pm 0.01$ mm  
 ANGLES =  $\pm 5^\circ$   
 UNLESS STATED

THIS DRAWING AND ANY INFORMATION OR DESCRIPTIVE MATTER SET OUT HEREON ARE CONFIDENTIAL AND COPYRIGHT PROPERTY OF THE HARWIN GROUP AND MUST NOT BE DISCLOSED, LOANED, COPIED OR USED FOR MANUFACTURING, TENDERING OR FOR ANY OTHER PURPOSE WITHOUT THEIR WRITTEN PERMISSION.

MATERIAL & FINISH:  
 SEE NOTE 1

TITLE: **GECKO LATCH MALE PLUG STRAIGHT THROUGH BOARD CONNECTOR ASSEMBLY**

DRAWING NUMBER:  
**G125-MVXXX05LXR**

SHT  
 4 OF 5

# Customer Information Sheet

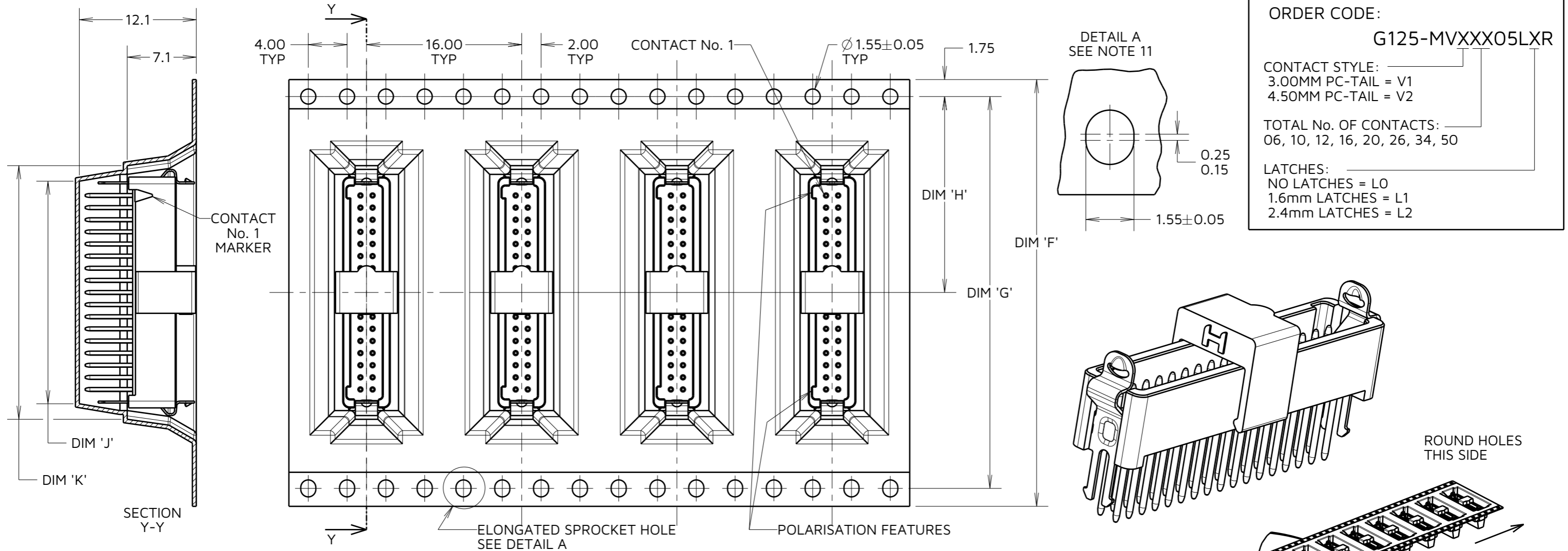
IF IN DOUBT - ASK

©

NOT TO SCALE

THIRD ANGLE PROJECTION

ALL DIMENSIONS IN mm



ORDER CODE:

**G125-MVXXX05LXR**

CONTACT STYLE:

3.00MM PC-TAIL = V1  
4.50MM PC-TAIL = V2

TOTAL No. OF CONTACTS:

06, 10, 12, 16, 20, 26, 34, 50

LATCHES:

NO LATCHES = L0  
1.6mm LATCHES = L1  
2.4mm LATCHES = L2

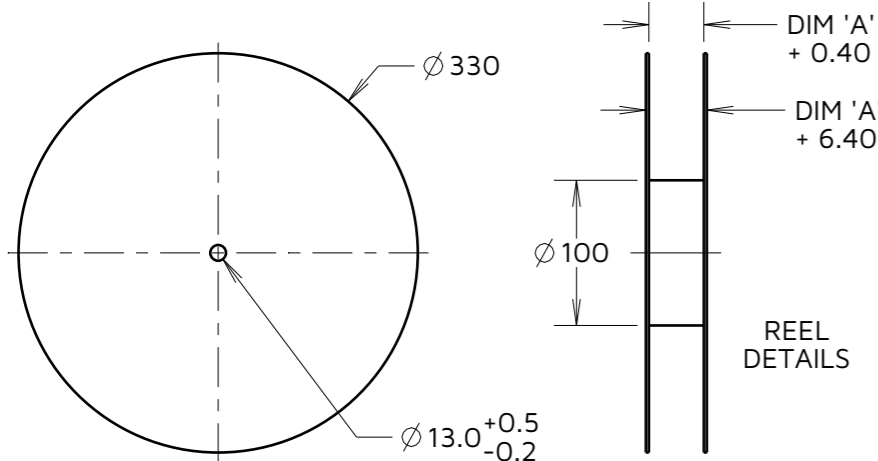


TABLE 3: DIMENSION VARIANTS

PART No.	DIM 'F'	DIM 'G'	DIM 'H'	DIM 'J'	DIM 'K'
G125-MVX0605LXR	24.0±0.3	NO ELONGATED HOLE	11.50	(8.7)	(5.5)
G125-MVX1005LXR				(11.2)	(8.0)
G125-MVX1205LXR	32.0±0.3	28.40	14.20	(12.4)	(9.2)
G125-MVX1605LXR				(14.9)	(11.7)
G125-MVX2005LXR	44.0±0.3	40.40	20.2±0.15	(17.4)	(14.2)
G125-MVX2605LXR				(21.2)	(18.0)
G125-MVX3405LXR	56.0±0.3	52.40	26.2±0.15	(26.2)	(23.0)
G125-MVX5005LXR				(36.2)	(33.0)

- NOTES:
- QUANTITY OF COMPONENTS PER REEL = 250.
  - FOR OTHER QUANTITIES SEE G125-MVXXX05LXP.
  - THIS PRODUCT IS TAPED AND REELED IN ACCORDANCE WITH EIA-481-2-A (ELECTRONIC INDUSTRIES ASSOCIATION).
  - FOR COMPLETE SPECIFICATION, SEE COMPONENT SPECIFICATION C125XX (LATEST ISSUE).
  - COMPONENTS ARE ORIENTATED IN TAPE POCKETS SO THAT THE POLARISING FEATURES ARE FACING AWAY FROM THE FREE END.
  - LATCHES SHOWN FOR ILLUSTRATION ONLY. WHEN "L0" IS SPECIFIED IN ORDER CODE NO LATCHES WILL BE FITTED/SUPPLIED.
  - ELONGATED SPROCKET HOLE NOT PRESENT ON 06 & 10 POSITIONS.

**HARWIN**

www.harwin.com

TOLERANCES  
X. = ±1mm  
X.X = ±0.50mm  
X.XX = ±0.20mm  
X.XXX = ±0.01mm  
ANGLES = ±5°  
UNLESS STATED

THIS DRAWING AND ANY INFORMATION OR DESCRIPTIVE MATTER SET OUT HEREON ARE CONFIDENTIAL AND COPYRIGHT PROPERTY OF THE HARWIN GROUP AND MUST NOT BE DISCLOSED, LOANED, COPIED OR USED FOR MANUFACTURING, TENDERING OR FOR ANY OTHER PURPOSE WITHOUT THEIR WRITTEN PERMISSION.

MATERIAL & FINISH:  
SEE SHEET 4

TITLE: **GECKO LATCH MALE PLUG STRAIGHT THROUGH BOARD CONNECTOR ASSEMBLY**

DRAWING NUMBER:  
**G125-MVXXX05LXR**

SHT  
5 OF 5

GS	7	11.06.25	36148
NAME	ISS.	DATE	CN/CO
APPROVED:		G.STIRZAKER	
CHECKED:		M.JELLEY	
DRAWN:		S.FLOWER	