

Customer Information Sheet

IF IN DOUBT - ASK

©

NOT TO SCALE

THIRD ANGLE PROJECTION

ALL DIMENSIONS IN mm

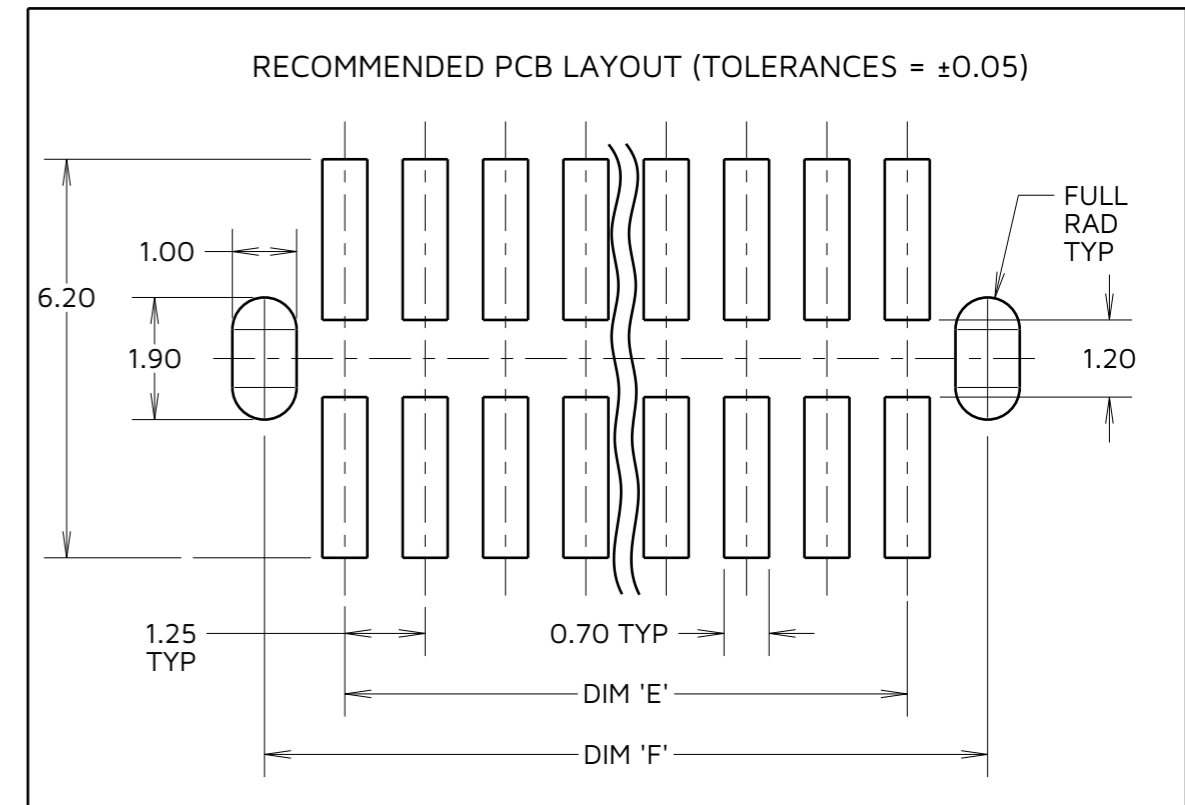
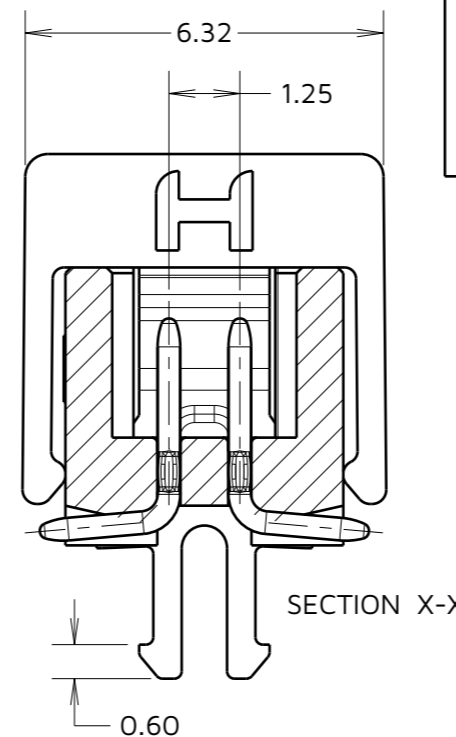
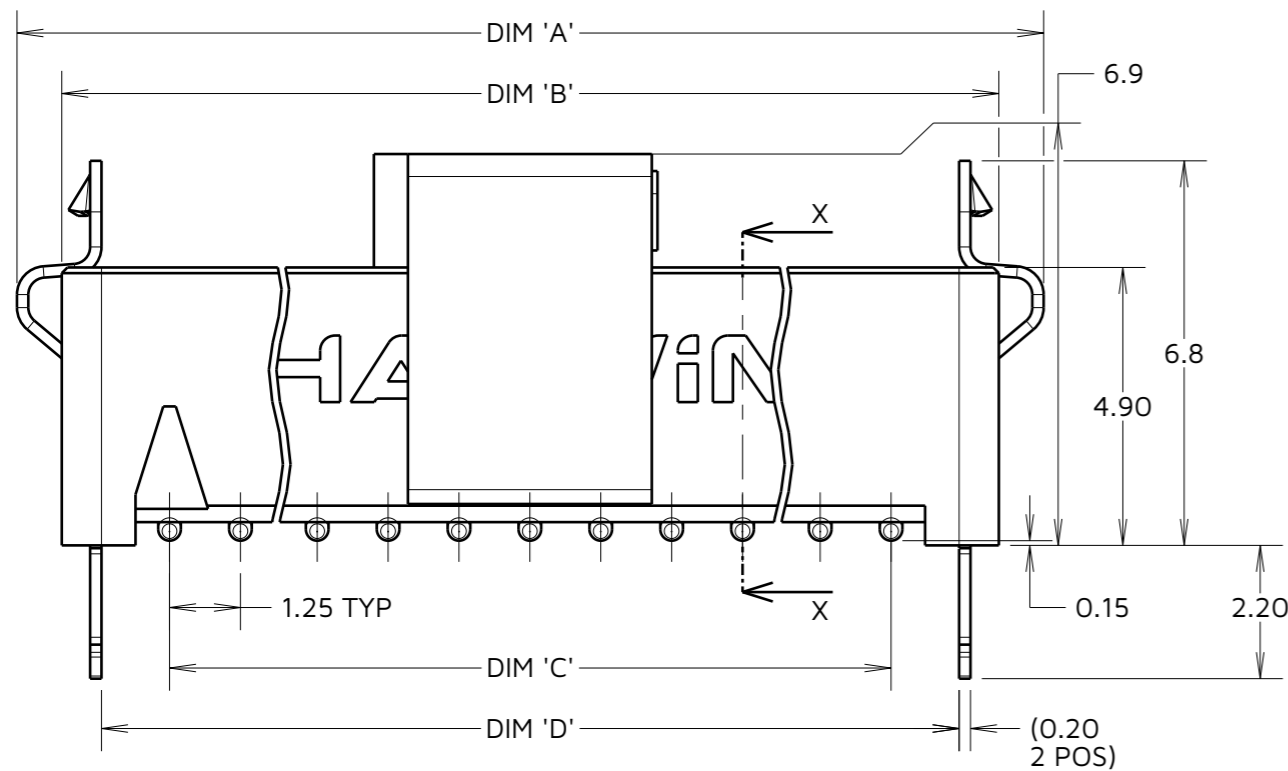
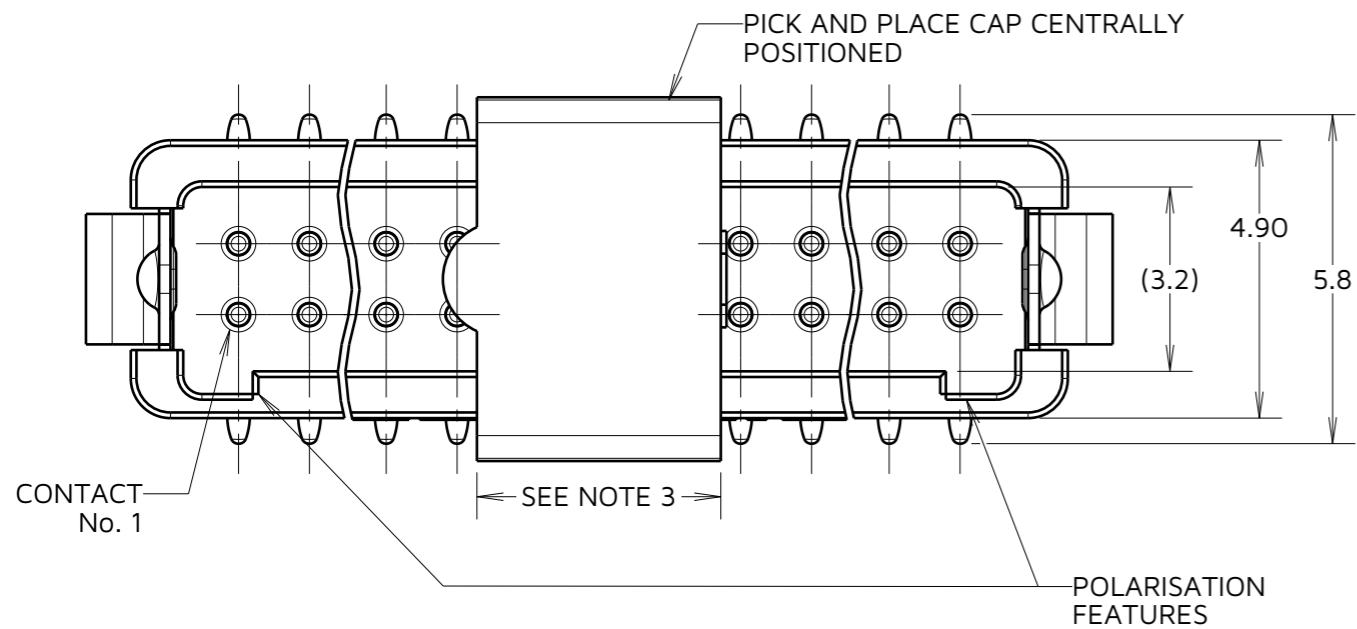


TABLE 1: DIMENSION VARIANTS						
PART No.	DIM 'A'	DIM 'B'	DIM 'C'	DIM 'D'	DIM 'E'	DIM 'F'
G125-MS10605L1R	7.70	6.30	2.50	4.90	2.50	5.00
G125-MS11005L1R	10.20	8.80	5.00	7.40	5.00	7.50
G125-MS11205L1R	11.45	10.05	6.25	8.65	6.25	8.75
G125-MS11605L1R	13.95	12.55	8.75	11.15	8.75	11.25
G125-MS12005L1R	16.45	15.05	11.25	13.65	11.25	13.75
G125-MS12605L1R	20.20	18.80	15.00	17.40	15.00	17.50
G125-MS13405L1R	25.20	23.80	20.00	22.40	20.00	22.50
G125-MS15005L1R	35.20	33.80	30.00	32.40	30.00	32.50

CONNECTOR DETAILS
AND PCB LAYOUT ONLY.
SEE SHEET 5 FOR
TAPE AND REEL DETAILS.

ORDER CODE:

G125-MS1XX05L1R

TOTAL No. OF CONTACTS:
06, 10, 12, 16, 20, 26, 34, 50

MJ	9	14.11.24	34895
NAME	ISS.	DATE	CN/CO
APPROVED:		M. JELLEY	
CHECKED:		A. BOXALL	
DRAWN:		S.FLOWER	

NOTES:

- FOR COMPLETE SPECIFICATION, SEE COMPONENT SPECIFICATION C125XX (LATEST ISSUE).
- CO-PLANARITY OF SMT TAILS NOT TO EXCEED 0.10mm. RECOMMENDED SOLDER PASTE THICKNESS = 0.125mm MIN.
- PICK AND PLACE CAP LENGTH = 4.3mm ON ALL PART NUMBERS EXCEPT G125-MS10605L1R ON THIS PART LENGTH = 3.3mm.

HARWIN

www.harwin.com

TOLERANCES
X. = ±1mm
X.X = ±0.50mm
X.XX = ±0.20mm
X.XXX = ±0.01mm
ANGLES = ±5°
UNLESS STATED

THIS DRAWING AND ANY INFORMATION OR DESCRIPTIVE MATTER SET OUT HEREON ARE CONFIDENTIAL AND COPYRIGHT PROPERTY OF THE HARWIN GROUP AND MUST NOT BE DISCLOSED, LOANED, COPIED OR USED FOR MANUFACTURING, TENDERING OR FOR ANY OTHER PURPOSE WITHOUT THEIR WRITTEN PERMISSION.

MATERIAL & FINISH:
SEE ABOVE

TITLE: GECKO LATCH MALE VERTICAL SMT CONNECTOR ASSEMBLY

DRAWING NUMBER:
G125-MS1XX05L1R

SHT
4 OF 5

Customer Information Sheet

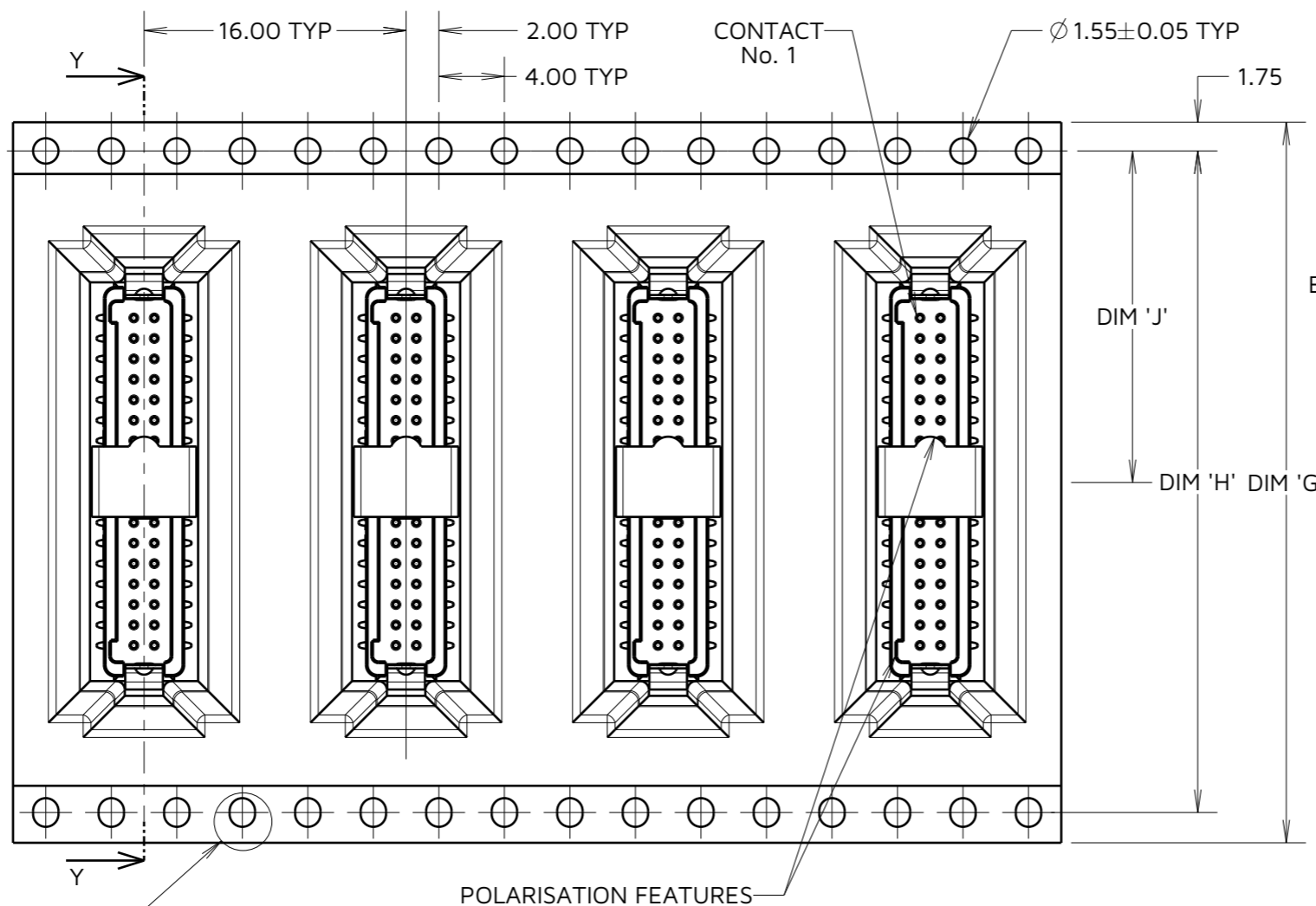
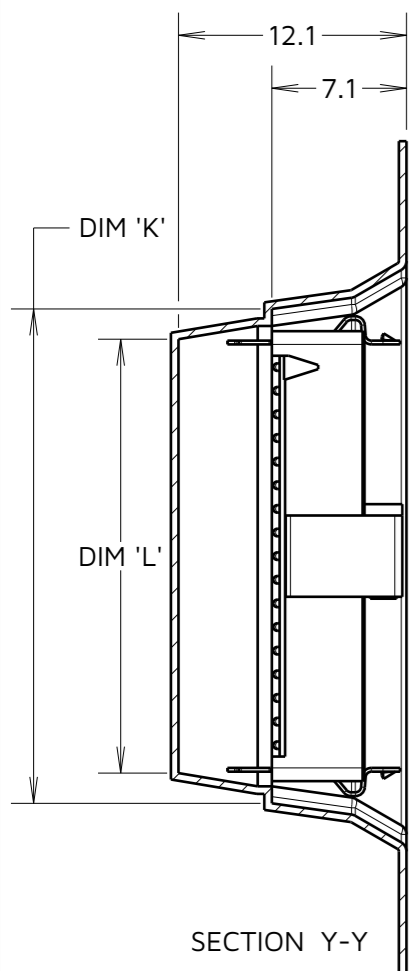
IF IN DOUBT - ASK

©

NOT TO SCALE

THIRD ANGLE PROJECTION

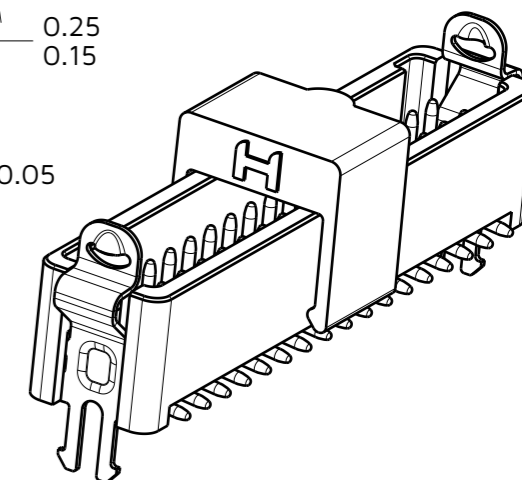
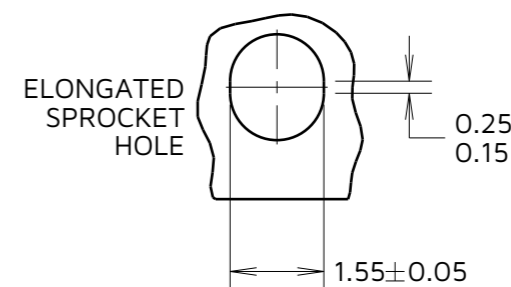
ALL DIMENSIONS IN mm



ORDER CODE:
G125-MS1XX05L1R

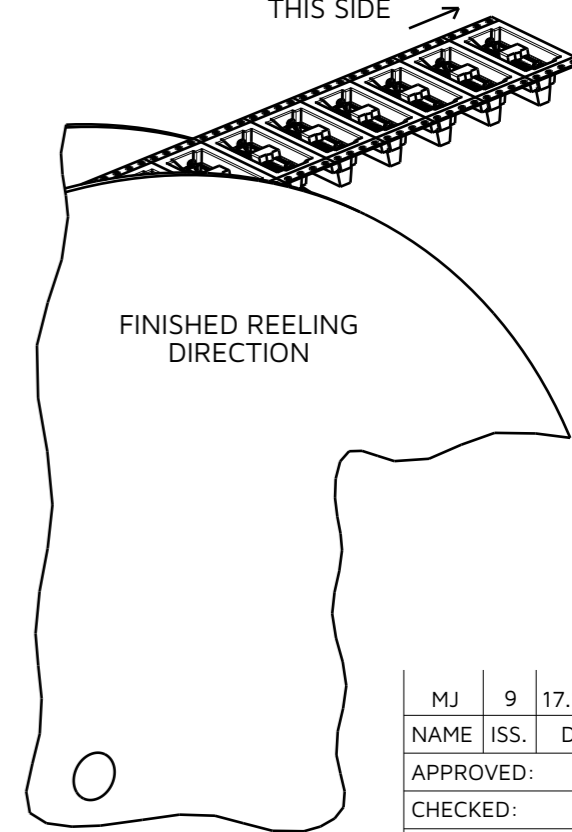
TOTAL No. OF CONTACTS:
06, 10, 12, 16, 20, 26, 34, 50

DETAIL A
SEE NOTE 5

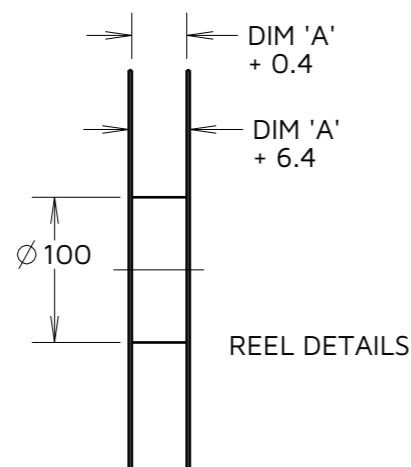
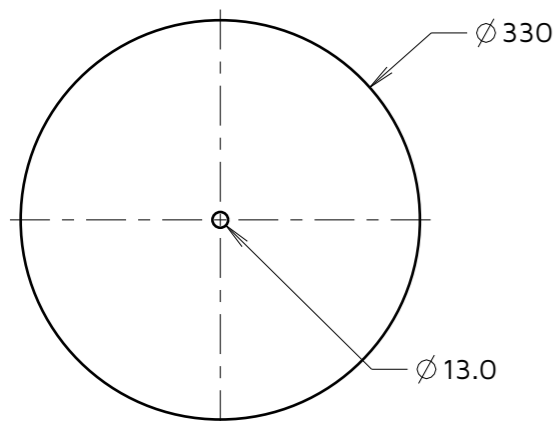


ROUND HOLES
THIS SIDE

FREE
END



ELONGATED SPROCKET HOLE
SEE DETAIL A



POLARISATION FEATURES

TABLE 2: DIMENSION VARIANTS

PART No.	DIM 'G'	DIM 'H'	DIM 'J'	DIM 'K'	DIM 'L'
G125-MS10605L1R	24.0±0.3	NO ELONGATED HOLE	11.50	(8.7)	(5.5)
G125-MS11005L1R				(11.2)	(8.0)
G125-MS11205L1R	32.0±0.3	28.40	14.20	(12.4)	(9.2)
G125-MS11605L1R				(14.9)	(11.7)
G125-MS12005L1R	44.0±0.3	40.40	20.2±0.15	(17.4)	(14.2)
G125-MS12605L1R				(21.2)	(18.0)
G125-MS13405L1R				(26.2)	(23.0)
G125-MS15005L1R	56.0±0.3	52.40	26.2±0.15	(36.2)	(33.0)

NOTES:

- QUANTITY OF COMPONENTS PER REEL = 250.
- FOR OTHER QUANTITIES SEE G125-MS1XX05L1P.
- THIS PRODUCT IS TAPED AND REELED IN ACCORDANCE WITH EIA-481-2-A (ELECTRONIC INDUSTRIES ASSOCIATION).
- COMPONENTS ARE ORIENTATED IN TAPE POCKETS SO THAT THE POLARISING FEATURES ARE FACING AWAY FROM THE FREE END.
- ELONGATED SPROCKET HOLE NOT PRESENT ON 06 & 10 POSITIONS.

HARWIN

www.harwin.com

TOLERANCES
X. = ±1mm
X.X = ±0.50mm
X.XX = ±0.20mm
X.XXX = ±0.01mm
ANGLES = ±5°
UNLESS STATED

THIS DRAWING AND ANY INFORMATION OR DESCRIPTIVE MATTER SET OUT HEREON ARE CONFIDENTIAL AND COPYRIGHT PROPERTY OF THE HARWIN GROUP AND MUST NOT BE DISCLOSED, LOANED, COPIED OR USED FOR MANUFACTURING, TENDERING OR FOR ANY OTHER PURPOSE WITHOUT THEIR WRITTEN PERMISSION.

MATERIAL & FINISH:

SEE NOTE 4

TITLE: **GECKO LATCH MALE VERTICAL SMT CONNECTOR ASSEMBLY**

DRAWING NUMBER:
G125-MS1XX05L1R

MJ	9	17.10.24	34895
NAME	ISS.	DATE	CN/CO
APPROVED:		M. JELLEY	
CHECKED:		A. BOXALL	
DRAWN:		S.FLOWER	

SHT
5
OF
5