

Customer Information Sheet

IF IN DOUBT - ASK

©

NOT TO SCALE

THIRD ANGLE PROJECTION

ALL DIMENSIONS IN mm

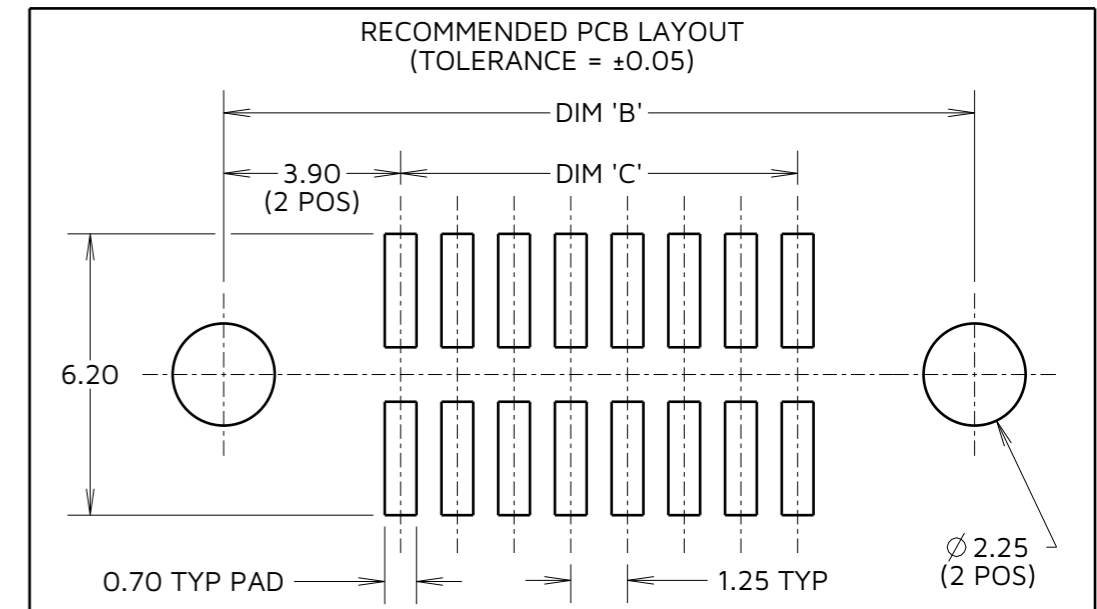
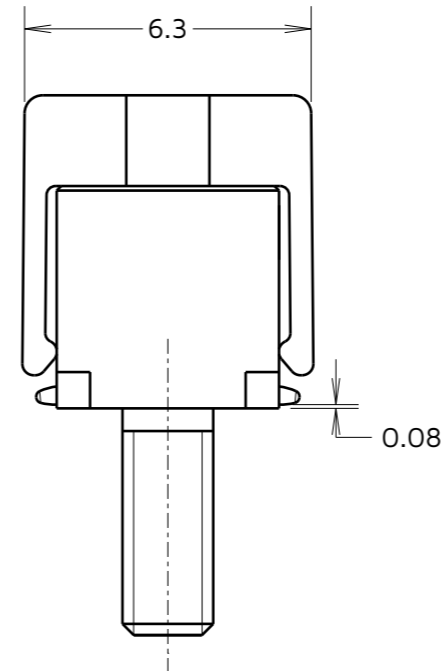
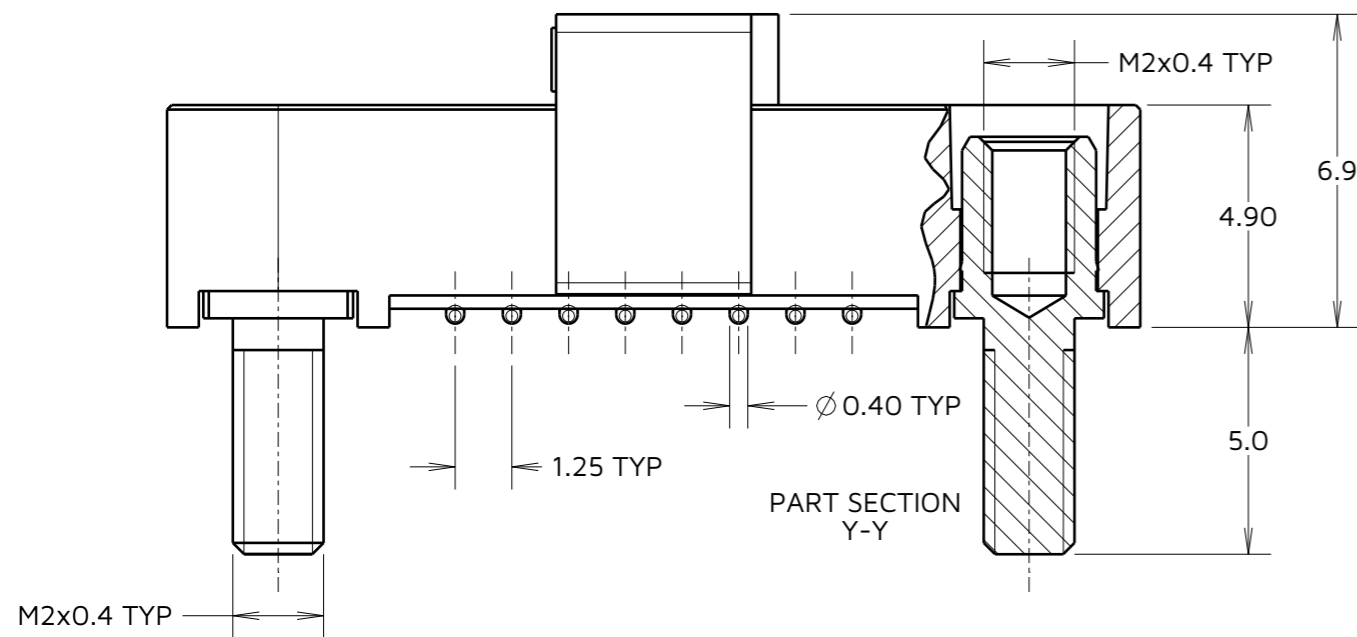
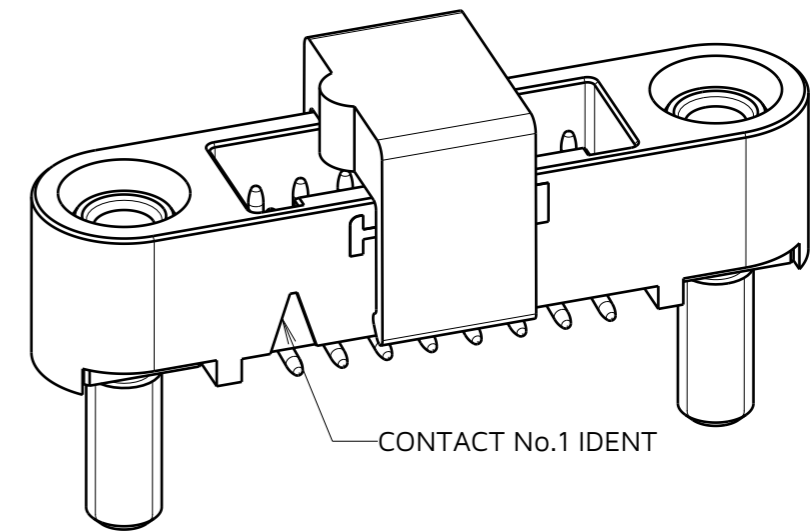
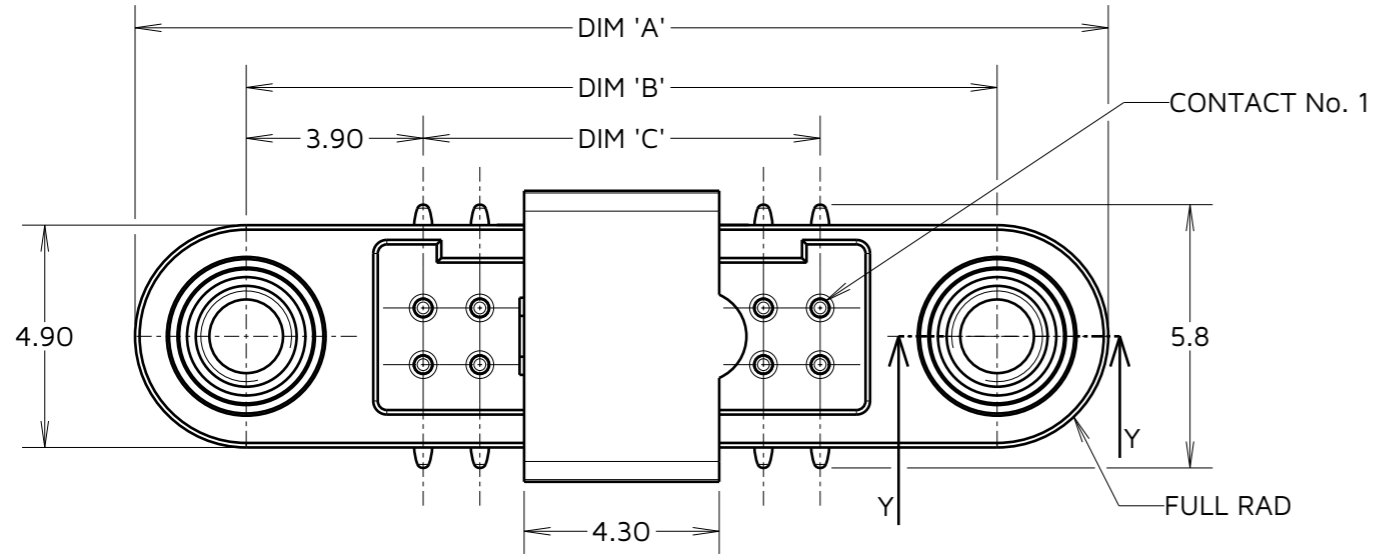


TABLE 1: DIMENSION VARIANTS

PART No.	DIM 'A'	DIM 'B'	DIM 'C'
G125-MS10605M2R	15.20	10.30	2.50
G125-MS11005M2R	17.70	12.80	5.00
G125-MS11205M2R	18.95	14.05	6.25
G125-MS11605M2R	21.45	16.55	8.75
G125-MS12005M2R	23.95	19.05	11.25
G125-MS12605M2R	27.70	22.80	15.00
G125-MS13405M2R	32.70	27.80	20.00
G125-MS15005M2R	42.70	37.80	30.00

CONNECTOR AND PCB LAYOUT DETAILS ONLY.
SEE SHEET 5 FOR TAPE AND REEL DETAILS.

ORDER CODE:

G125-MS1XX05M2R

TOTAL No. OF CONTACTS
06, 10, 12, 16, 20, 26, 34 & 50.

MJ	3	14.02.25	35481
NAME	ISS.	DATE	CN/CO
APPROVED: M. JELLEY			
CHECKED: A. BOXALL			
DRAWN: MARK G PLESTED			

NOTES:

- FOR MATERIALS, FINISH AND SPECIFICATIONS SEE GECKO SERIES SPECIFICATION SUMMARY SHEET OR COMPONENT SPECIFICATION C125XX (LATEST ISSUE) FOR FULL SPECIFICATION.
- CO-PLANARITY OF SMT TAILS = 0.10mm MAX.
- DRAWING SHOWS CONNECTOR WITH 16 CONTACTS.
- FOR BOARD MOUNT NUTS, ORDER SEPARATELY. PART NUMBER:
G125-4500000B HEXAGONAL THIN NUT - BAG OF 12 OR
G125-4510000B ROUND SLOTTED NUT - BAG OF 12.

HARWIN

www.harwin.com

TOLERANCES
X. = ±1mm
X.X = ±0.50mm
X.XX = ±0.20mm
X.XXX = ±0.01mm
ANGLES = ±5°
UNLESS STATED

THIS DRAWING AND ANY INFORMATION OR DESCRIPTIVE MATTER SET OUT HEREON ARE CONFIDENTIAL AND COPYRIGHT PROPERTY OF THE HARWIN GROUP AND MUST NOT BE DISCLOSED, LOANED, COPIED OR USED FOR MANUFACTURING, TENDERING OR FOR ANY OTHER PURPOSE WITHOUT THEIR WRITTEN PERMISSION.

MATERIAL & FINISH:
SEE ABOVE

TITLE: GECKO SL SERIES MALE VERTICAL SMT CONNECTOR IN T&R

DRAWING NUMBER: G125-MS1XX05M2R

SHT 4 OF 5

Customer Information Sheet

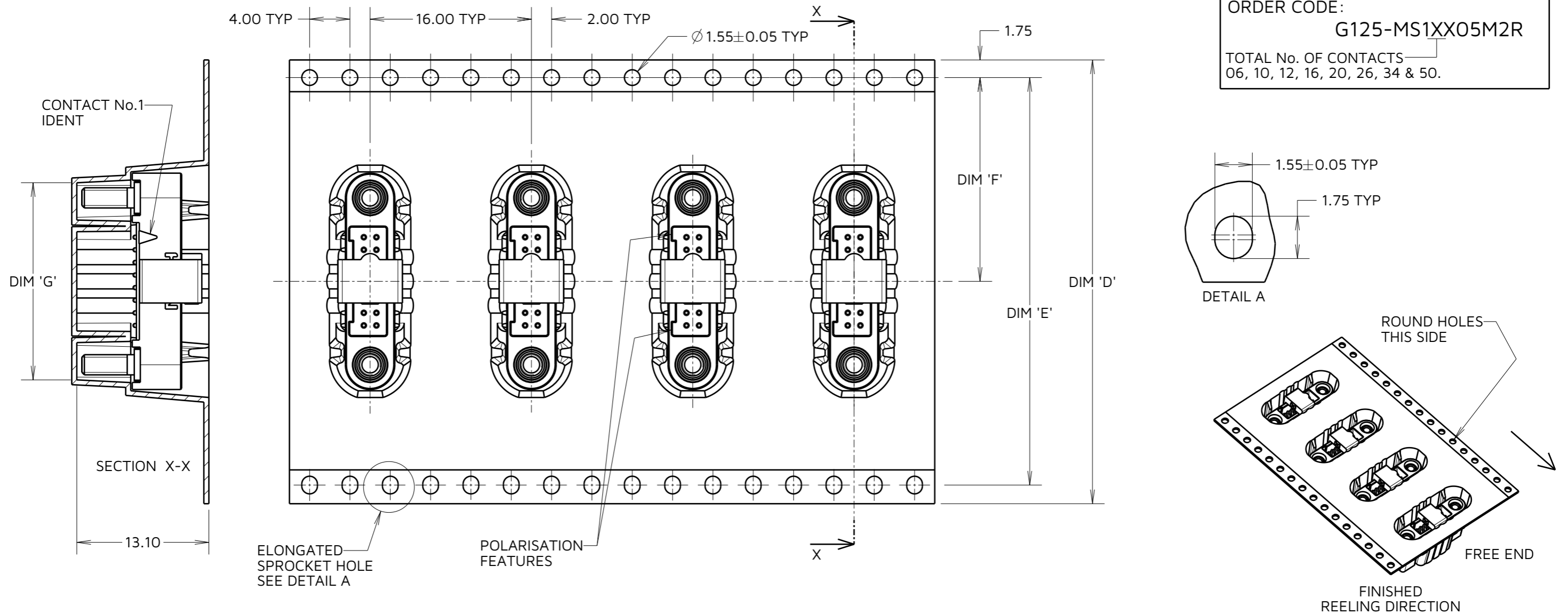
IF IN DOUBT - ASK

©

NOT TO SCALE

THIRD ANGLE PROJECTION

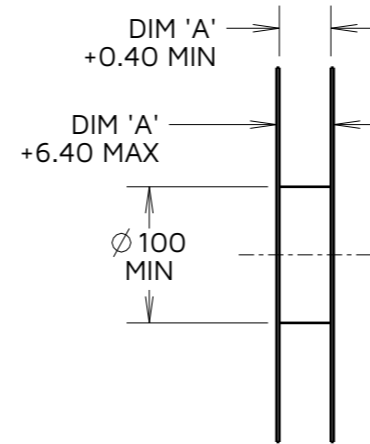
ALL DIMENSIONS IN mm



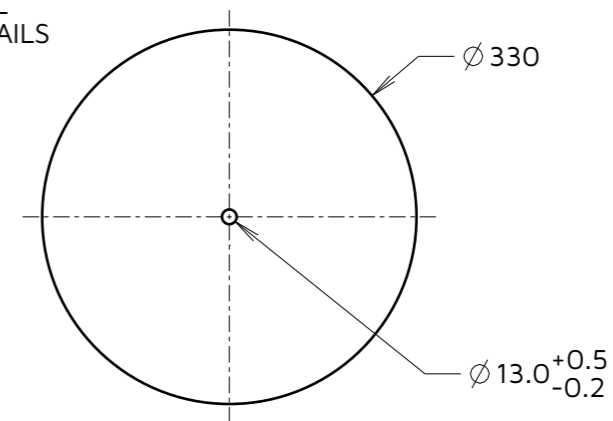
ORDER CODE:
G125-MS1XX05M2R
 TOTAL No. OF CONTACTS
 06, 10, 12, 16, 20, 26, 34 & 50.

TABLE 2: DIMENSION VARIANTS

PART No.	DIM 'D'	DIM 'E'	DIM 'F'	DIM 'G'
G125-MS10605M2R				13.60
G125-MS11005M2R	32.0±0.3	28.40	14.20	16.10
G125-MS11205M2R				17.35
G125-MS11605M2R				19.85
G125-MS12005M2R	44.0±0.3	40.40	20.20±0.15	22.20±0.15
G125-MS12605M2R				26.00±0.15
G125-MS13405M2R	56.0±0.3	52.40	26.20±0.15	30.90±0.15
G125-MS15005M2R				41.00±0.15



REEL DETAILS



- NOTES:
- QUANTITY OF COMPONENTS PER REEL = 250.
 - FOR OTHER QUANTITIES SEE G125-MS1XX05M2P.
 - THIS PRODUCT IS TAPE AND REELED IN ACCORDANCE WITH EIA-481 (ELECTRONIC INDUSTRIES ASSOCIATION).
 - COMPONENTS ARE ORIENTATED IN TAPE POCKETS SO THAT THE POLARISING FEATURES ARE FACING AWAY FROM THE FREE END.

HARWIN

www.harwin.com

TOLERANCES
 X. = ±1mm
 X.X = ±0.50mm
 X.XX = ±0.20mm
 X.XXX = ±0.01mm
 ANGLES = ±5°
 UNLESS STATED

THIS DRAWING AND ANY INFORMATION OR DESCRIPTIVE MATTER SET OUT HEREON ARE CONFIDENTIAL AND COPYRIGHT PROPERTY OF THE HARWIN GROUP AND MUST NOT BE DISCLOSED, LOANED, COPIED OR USED FOR MANUFACTURING, TENDERING OR FOR ANY OTHER PURPOSE WITHOUT THEIR WRITTEN PERMISSION.

MATERIAL & FINISH:
 SEE SHEET 4

TITLE: **GECKO SL SERIES MALE VERTICAL SMT CONNECTOR IN T&R**

DRAWING NUMBER:
G125-MS1XX05M2R

MJ	3	14.02.25	35481
NAME	ISS.	DATE	CN/CO
APPROVED:		M. JELLEY	
CHECKED:		A. BOXALL	
DRAWN:		MARK G PLESTED	