

# Customer Information Sheet

DRAWING No.: P70-10X0045R

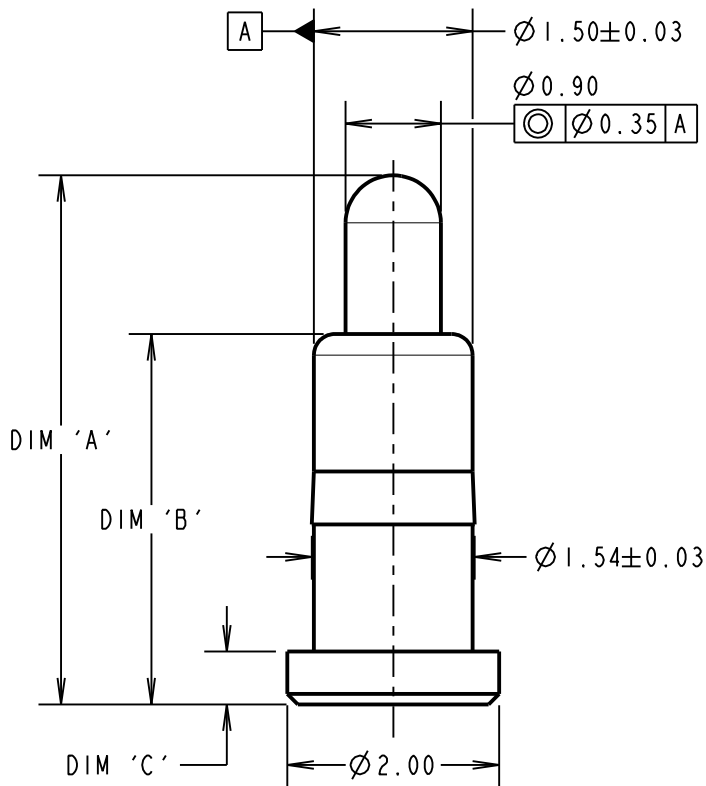
IF IN DOUBT - ASK

©

NOT TO SCALE

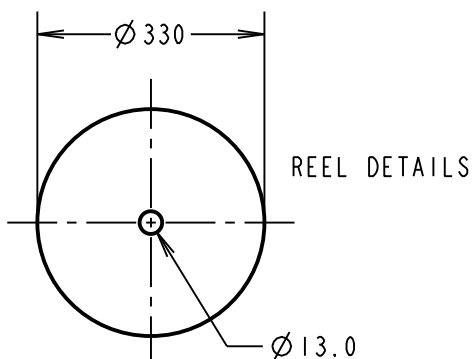
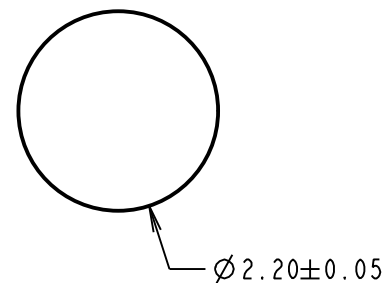
THIRD ANGLE PROJECTION

ALL DIMENSIONS IN mm

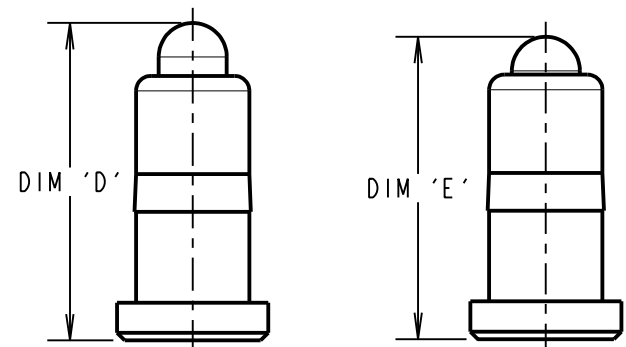
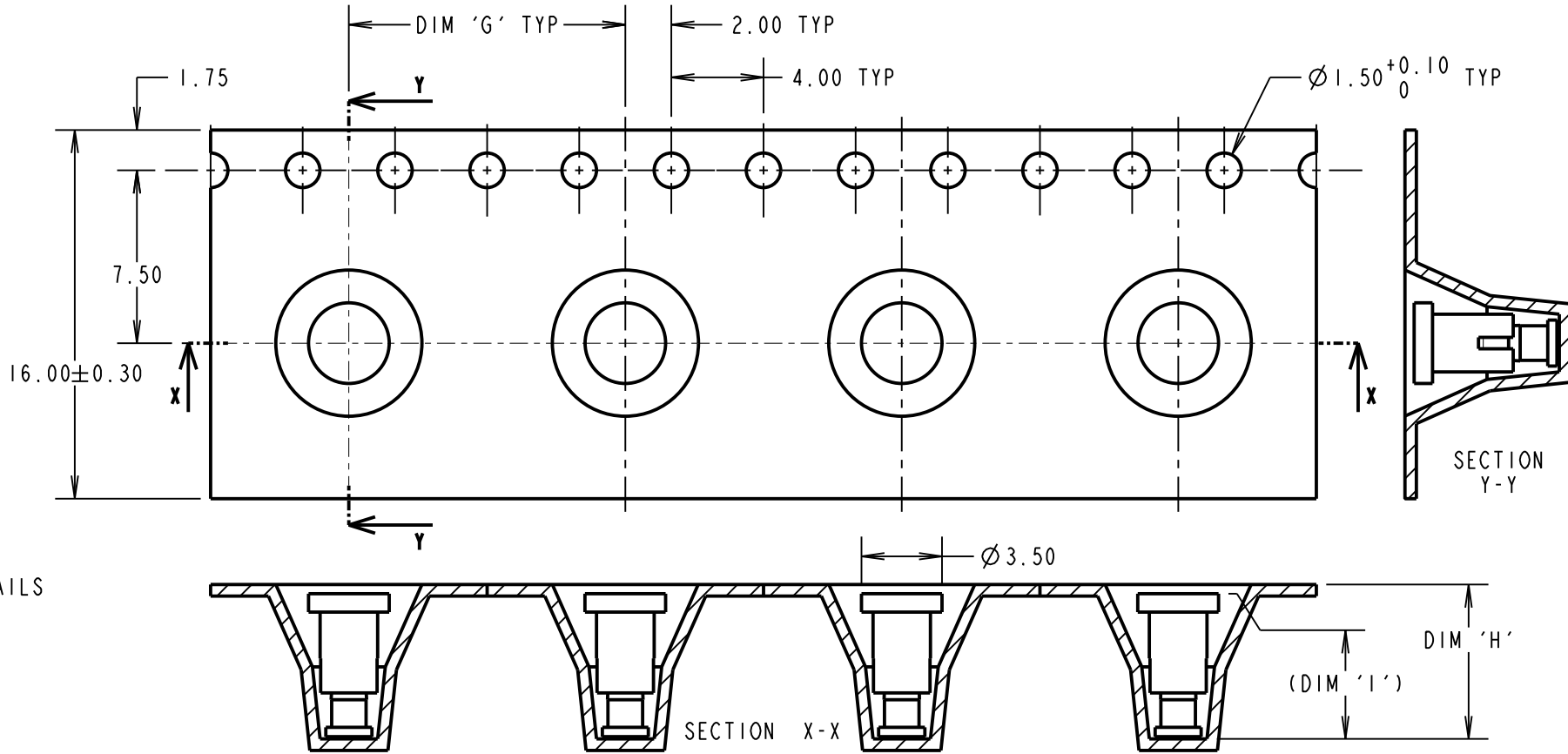


COMPONENT DETAILS

RECOMMENDED PCB PAD LAYOUT



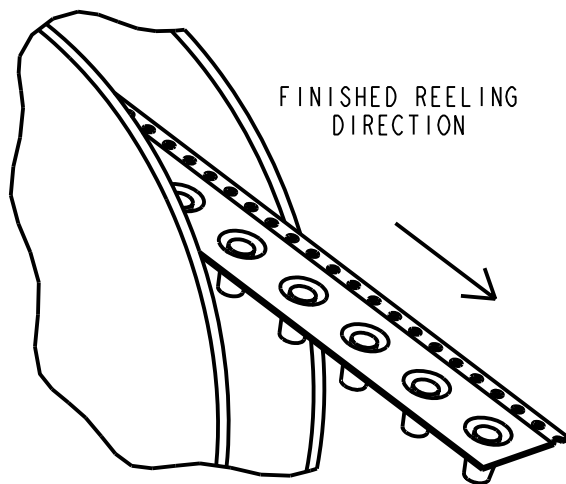
REEL DETAILS



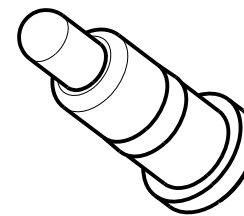
MAXIMUM WORKING HEIGHT

NORMAL WORKING HEIGHT

MINIMUM WORKING HEIGHT/MAX ALLOWED TRAVEL



FINISHED REELING DIRECTION



**SPECIFICATION:**

**MATERIAL:**  
 BODY & PLUNGER = BRASS  
 SPRING = STAINLESS STEEL WIRE  
**PLATING:**  
 BODY = 0.1µm GOLD OVER 1.4µm NICKEL  
 PLUNGER = 0.4µm GOLD OVER 1.4µm NICKEL  
**ELECTRICAL:**  
 CONTACT RESISTANCE = 30mΩ MAX  
 CURRENT RATING = 2.0A  
**MECHANICAL:**  
 FORCE AT NORMAL HEIGHT = SEE TABLE  
 DURABILITY = 10,000 CYCLES  
**ENVIRONMENTAL:**  
 OPERATING TEMPERATURE = -40°C TO 85°C

**NOTES:**

- IF ASSEMBLING PIN INTO MOULDING:  
 RECOMMENDED HOLE SIZE = Ø1.49 MIN.  
 RECOMMENDED MATERIAL = GLASS FILLED PA46.
- ALL PRODUCTS ARE RoHS COMPLIANT.
- PRODUCT IS TAPE AND REELED IN GENERAL ACCORDANCE WITH EIA-481 (ELECTRONIC INDUSTRIES ASSOCIATION).

PART No.	DIM 'A'	DIM 'B'	DIM 'C'	DIM 'D'	DIM 'E'	DIM 'F'	DIM 'G'	DIM 'H'	DIM 'I'	PACK SIZE	MECHANICAL FORCE
P70-1000045R	3.50±0.20	2.50	0.40	3.00	2.90	2.70	8.00	6.00	5.10	1400	0.88N ±0.29N
P70-1010045R	5.00±0.15	3.50	0.50	4.20	4.00	3.70	12.00	6.70	6.30	800	1.17N ±0.29N
P70-1020045R	5.50±0.15	4.00		4.70	4.50	4.20		7.00	6.70	700	1.17N +0.29/-0.19N
P70-1030045R	7.30±0.15	5.80	1.00	6.50	6.20	6.00		9.00	8.50	600	1.29N ±0.29N

ORDER CODE:

**P70-10X0045R**

PART No.: \_\_\_\_\_  
 0, 1, 2, 3  
 SEE TABLE FOR SIZES.

**HARWIN**

www.harwin.com  
 technical@harwin.com

THIS DRAWING AND ANY INFORMATION OR DESCRIPTIVE MATTER SET OUT HEREON ARE CONFIDENTIAL AND COPYRIGHT PROPERTY OF THE HARWIN GROUP AND MUST NOT BE DISCLOSED, LOANED, COPIED OR USED FOR MANUFACTURING, TENDERING OR FOR ANY OTHER PURPOSE WITHOUT THEIR WRITTEN PERMISSION.

**TOLERANCES**

X. = ±1mm  
 X.X = ±0.50mm  
 X.XX = ±0.20mm  
 X.XXX = ±0.01mm  
 ANGLES = ±5°  
 UNLESS STATED

**MATERIAL:**

SEE ABOVE

FINISH: SEE ABOVE

S/AREA: mm<sup>2</sup>

**TITLE:**

SMT SPRING LOADED POGO PIN IN TAPE AND REEL

DRAWING NUMBER:

**P70-10X0045R**

SHT 2 OF 2

RTP	4	02.07.21	30572
NAME	ISS.	DATE	CN/CO
APPROVED:		R.PORTLOCK	
CHECKED:		M.RUDKIN	
DRAWN:		S.BENNETT	
CUSTOMER REF.:			
ASSEMBLY DRG:			