

# Customer Information Sheet

IF IN DOUBT - ASK

©

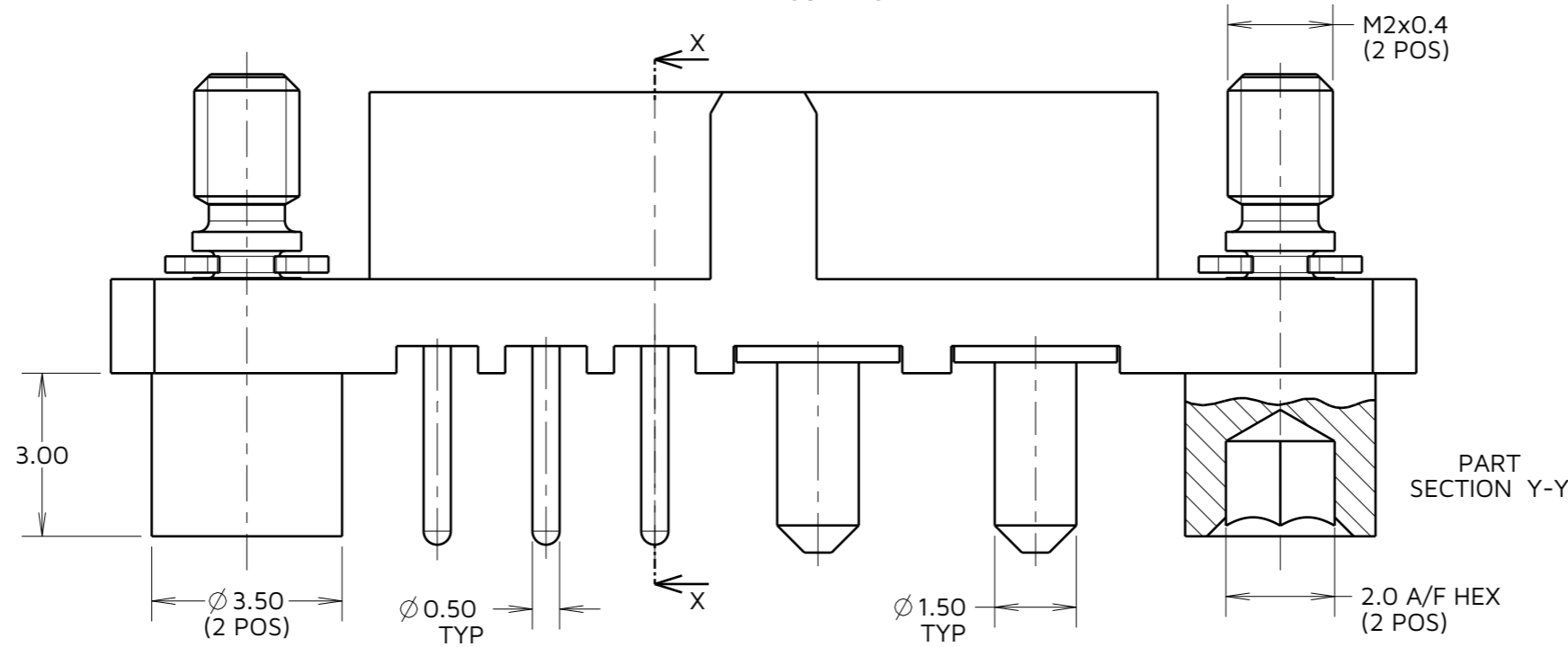
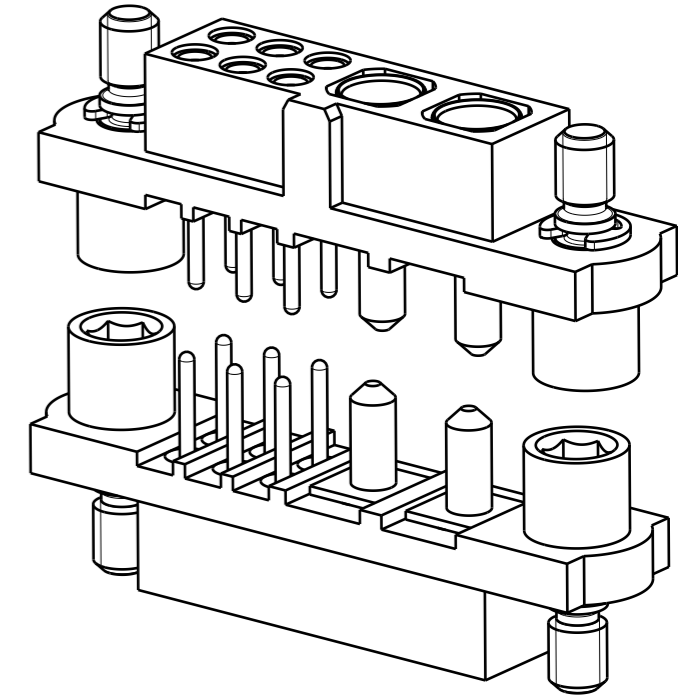
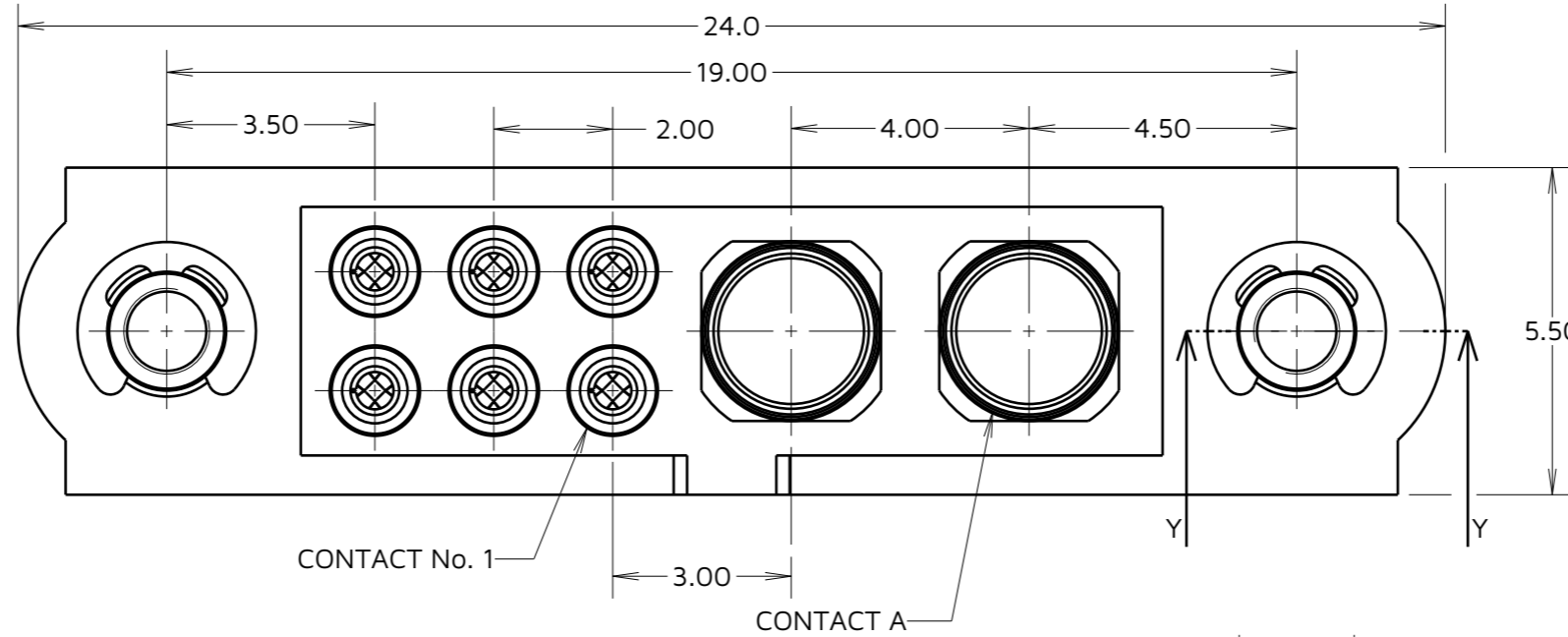
NOT TO SCALE

THIRD ANGLE PROJECTION

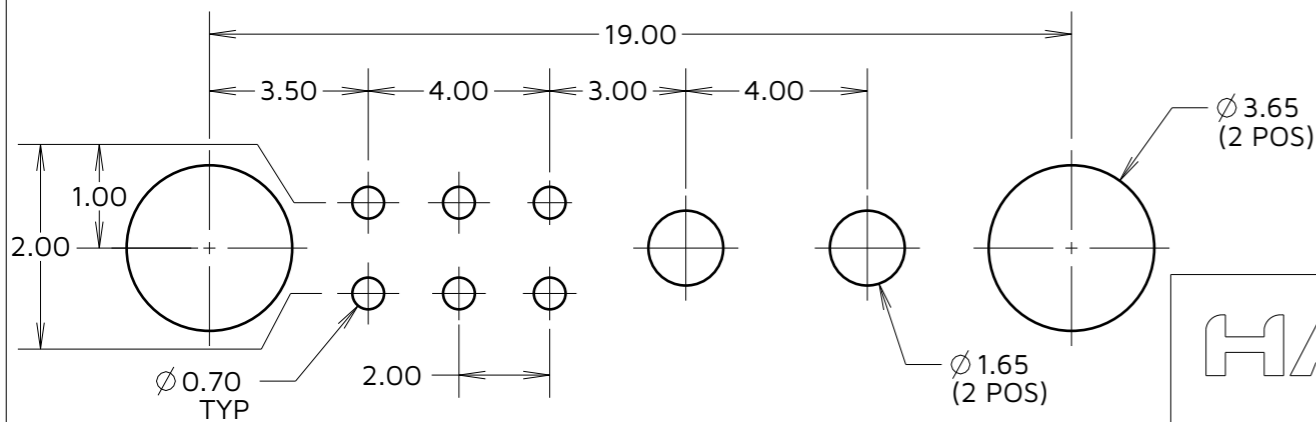
ALL DIMENSIONS IN mm

## SPECIFICATIONS:

**MATERIAL:**  
 MOULDING = GLASS FILLED PPS, UL94V-0, BLACK  
**SIGNAL CONTACT:**  
 CLIP = BERYLLIUM COPPER  
 SHELL = BRASS  
**POWER CONTACT = COPPER ALLOY**  
**FINISH:**  
**SIGNAL CONTACT:**  
 CLIP = 0.3µm GOLD  
 SHELL = 0.25µm-0.3µm GOLD  
**POWER CONTACT = GOLD**  
**PACKING:**  
 TUBE  
 FOR COMPLETE SPECIFICATION SEE COMPONENT SPECIFICATION C005XX (LATEST ISSUE)



RECOMMENDED PCB LAYOUT  
 TOLERANCES ±0.05 (UNLESS OTHERWISE STATED)



AY	2	09.07.24	34371
NAME	ISS.	DATE	CN/CO
APPROVED:		A.YEOMANS	
CHECKED:		R.PORTLOCK	
DRAWN:		A.BOXALL	
ASSEMBLY DRG:			

**HARWIN**

www.harwin.com

**TOLERANCES**  
 X. = ±1mm  
 X.X = ±0.50mm  
 X.XX = ±0.20mm  
 X.XXX = ±0.01mm  
 ANGLES = ±5°  
 UNLESS STATED

THIS DRAWING AND ANY INFORMATION OR DESCRIPTIVE MATTER SET OUT HEREON ARE CONFIDENTIAL AND COPYRIGHT PROPERTY OF THE HARWIN GROUP AND MUST NOT BE DISCLOSED, LOANED, COPIED OR USED FOR MANUFACTURING, TENDERING OR FOR ANY OTHER PURPOSE WITHOUT THEIR WRITTEN PERMISSION.

**MATERIAL:**  
 SEE ABOVE

**TITLE:** DATAMATE MIX-TEK  
 FEMALE VERTICAL PC TAIL  
 JACKSCREW ASSEMBLY

**DRAWING NUMBER:** M80-4T10605F2-02-321-00-000

SHT  
 2 OF 2