

Customer Information Sheet

IF IN DOUBT - ASK

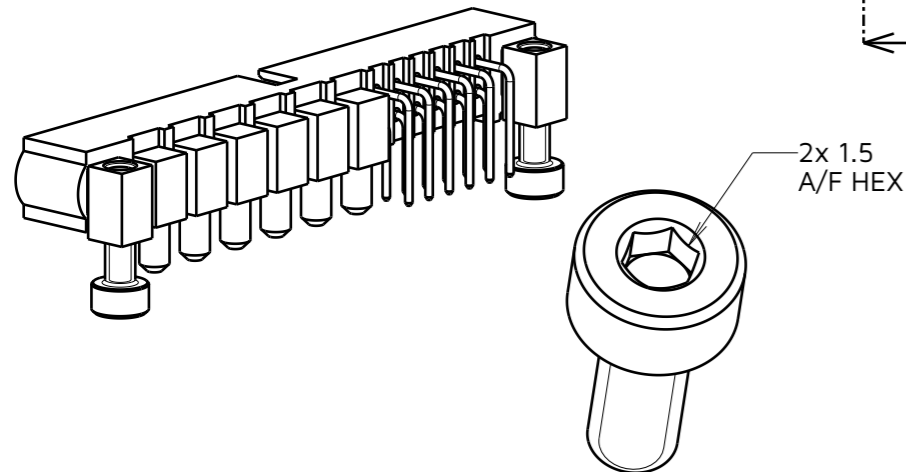
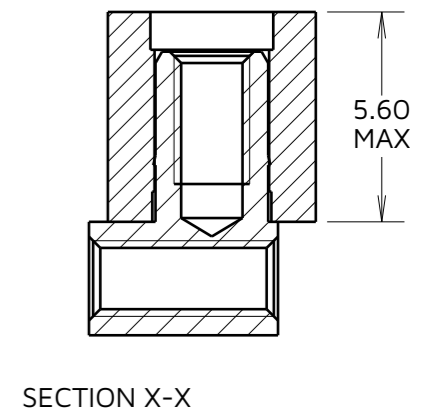
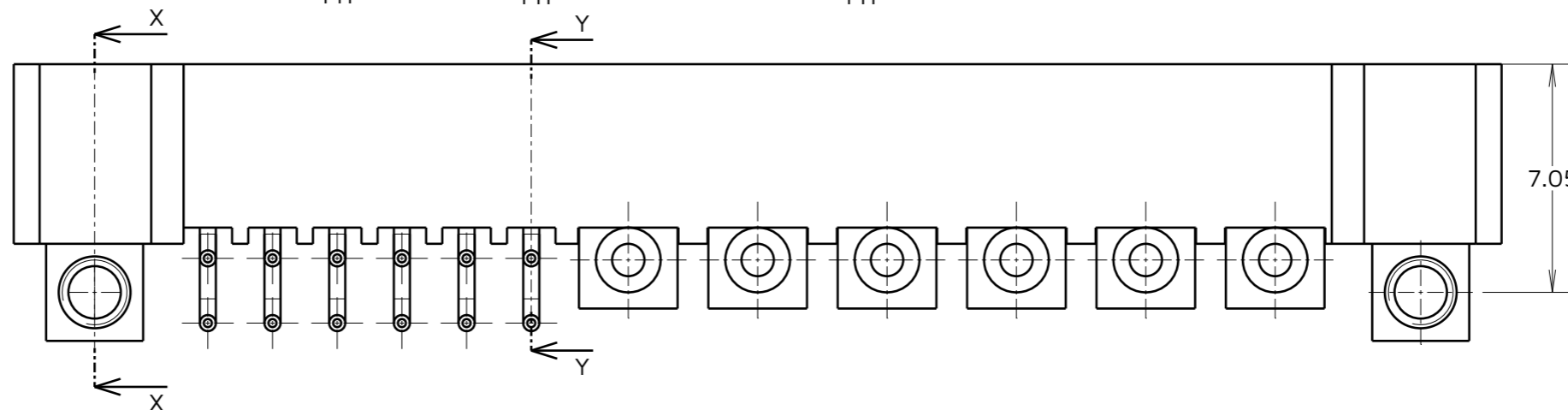
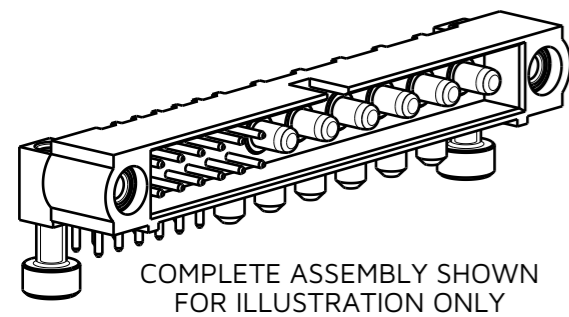
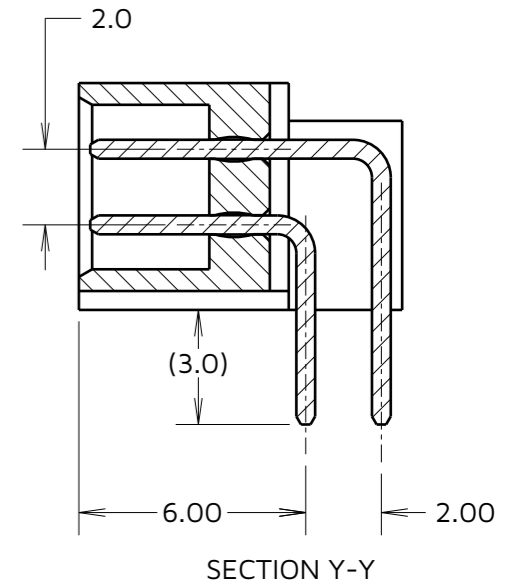
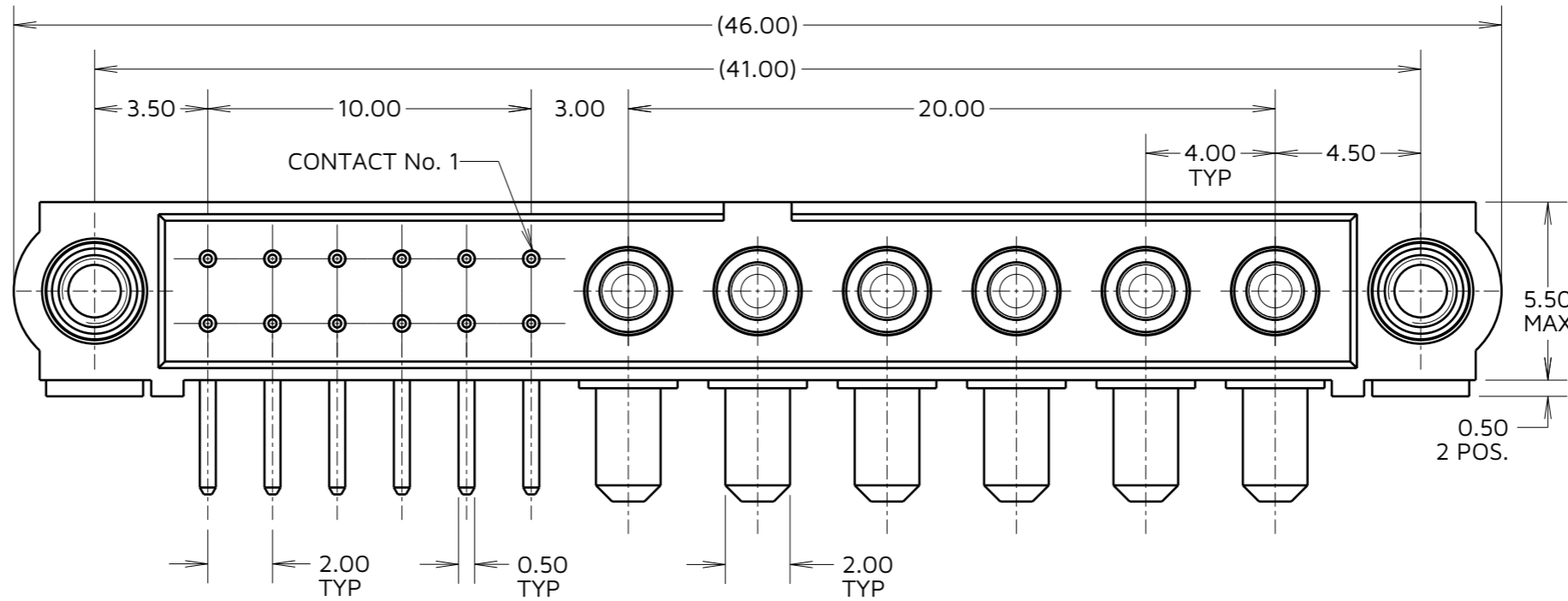
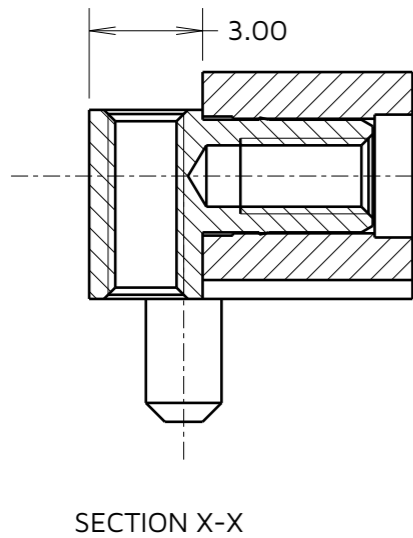
©

NOT TO SCALE

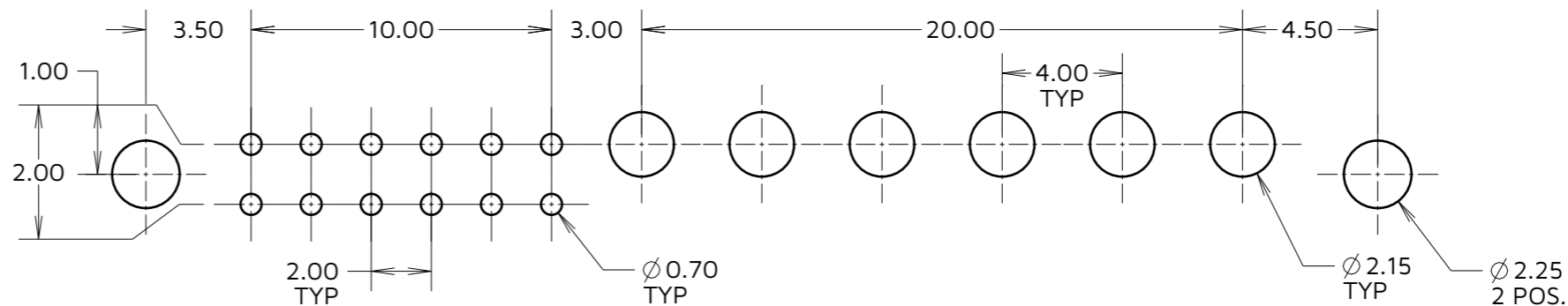
THIRD ANGLE PROJECTION

ALL DIMENSIONS IN mm

SPECIFICATIONS:
MATERIAL:
 MOULDING: GLASS-FILLED PPS, UL94V-0, BLACK.
 SIGNAL CONTACT: PHOSPHOR BRONZE
 POWER CONTACT: COPPER ALLOY
 BOARD-MOUNT JACKSCREW, NUT: STAINLESS STEEL.
FINISH:
 SIGNAL CONTACT: 0.75µm GOLD
 POWER CONTACT : GOLD
 PACKING: TUBE.
 FOR COMPLETE SPECIFICATION SEE COMPONENT SPECIFICATION C005XX (LATEST ISSUE).



RECOMMENDED PCB LAYOUT
 ALL TOLERANCES ±0.05mm (UNLESS OTHERWISE STATED)



NOTES:
 1. CONNECTOR IS SUPPLIED WITH BOARD MOUNT NUTS NOT ASSEMBLED AS SHOWN. SUPPLIED LOOSE IN BAG ATTACHED TO PACKING TUBE

HARWIN
 www.harwin.com

TOLERANCES
 X. = ±1mm
 X.X = ±0.50mm
 X.XX = ±0.20mm
 X.XXX = ±0.01mm
 ANGLES = ±5°
 UNLESS STATED

THIS DRAWING AND ANY INFORMATION OR DESCRIPTIVE MATTER SET OUT HEREON ARE CONFIDENTIAL AND COPYRIGHT PROPERTY OF THE HARWIN GROUP AND MUST NOT BE DISCLOSED, LOANED, COPIED OR USED FOR MANUFACTURING, TENDERING OR FOR ANY OTHER PURPOSE WITHOUT THEIR WRITTEN PERMISSION.

MATERIAL:
 SEE ABOVE

TITLE:
 DATAMATE MIXTEK
 PC TAIL MALE ASSEMBLY

DRAWING NUMBER:
 M80-5L11205M7-06-PM3-00-000

SHT
 2 OF 2

AY	2	20.12.23	33470
NAME	ISS.	DATE	CN/CO
APPROVED: A.YEOMANS			
CHECKED: A.BOXALL			
DRAWN: A.YEOMANS			
ASSEMBLY DRG:			