

Customer Information Sheet

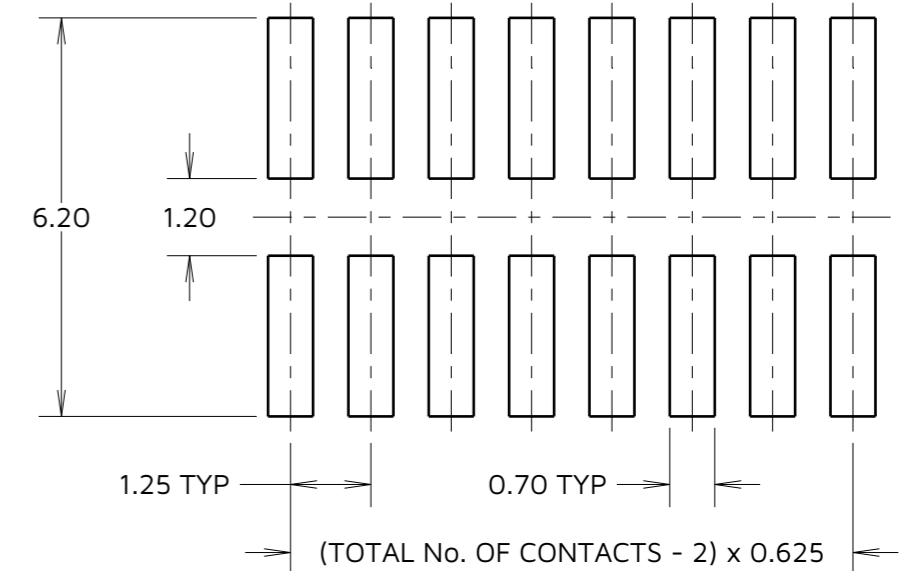
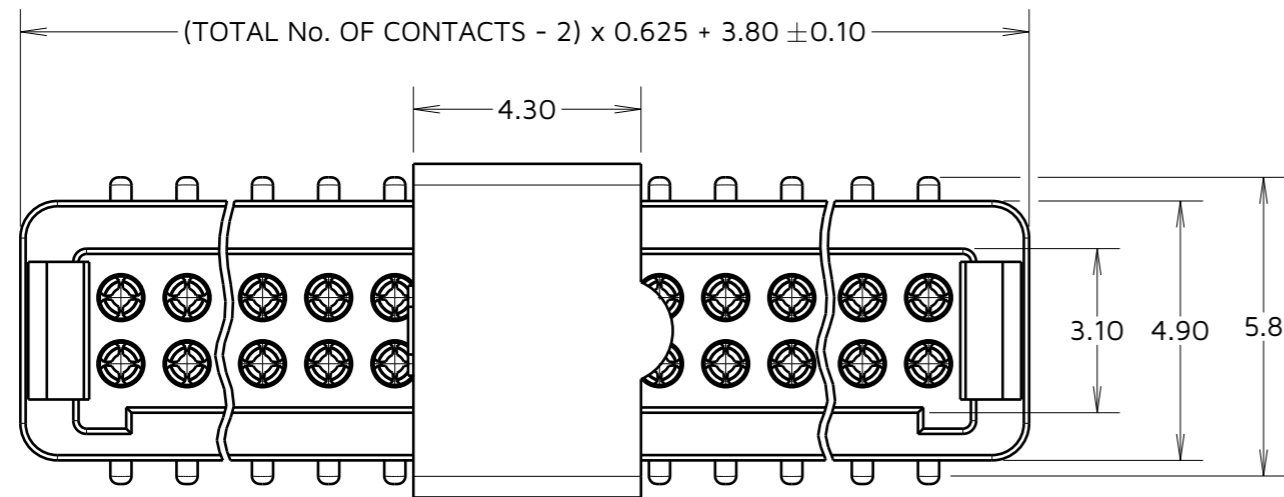
IF IN DOUBT - ASK

©

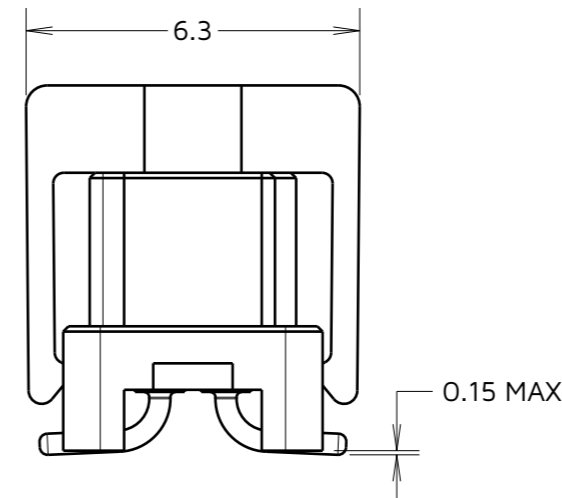
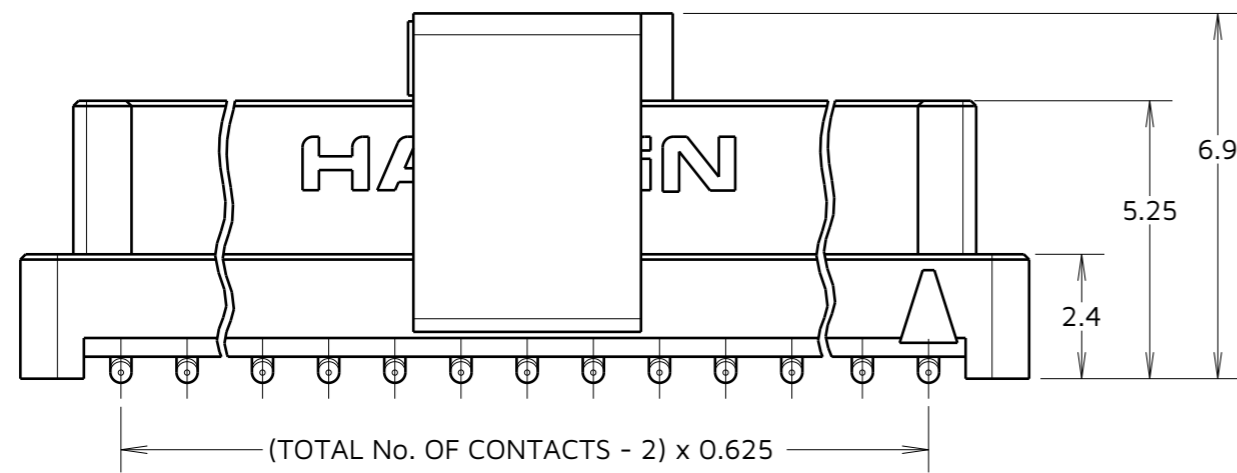
NOT TO SCALE

THIRD ANGLE PROJECTION

ALL DIMENSIONS IN mm

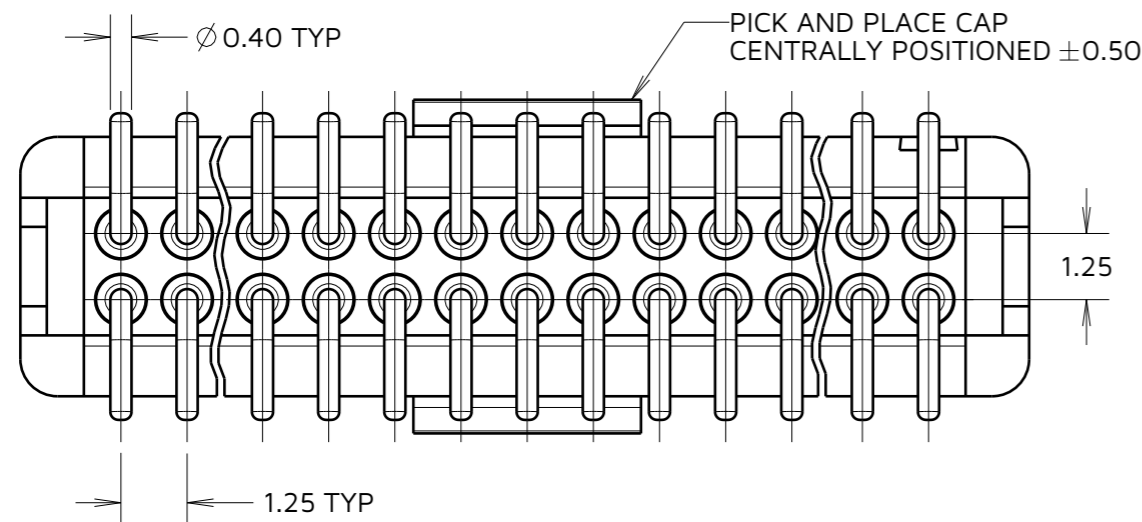


RECOMMENDED PCB LAYOUT
(ALL TOLERANCES ±0.05mm)



ORDER CODE:
G125-FS1XX05LOR

TOTAL No. OF CONTACTS:
06, 10, 12, 16, 20, 26, 34 & 50.



CONNECTOR DETAILS AND PCB LAYOUT ONLY.
SEE SHEET 6 FOR TAPE AND REEL DETAILS.

- NOTES:
- FOR COMPLETE SPECIFICATION, SEE COMPONENT SPECIFICATION C125XX (LATEST ISSUE).
 - CO-PLANARITY OF SMT TAILS NOT TO EXCEED 0.10mm. RECOMMENDED SOLDER PASTE THICKNESS = 0.125mm MIN.

MGP	6	03.05.23	32485
NAME	ISS.	DATE	CN/CO
APPROVED: MGP			
CHECKED: RTP			
DRAWN: S.FLOWER			
ASSEMBLY DRG:			

HARWIN

www.harwin.com

TOLERANCES
X. = ±1mm
X.X = ±0.50mm
X.XX = ±0.20mm
X.XXX = ±0.01mm
ANGLES = ±5°
UNLESS STATED

THIS DRAWING AND ANY INFORMATION OR DESCRIPTIVE MATTER SET OUT HEREON ARE CONFIDENTIAL AND COPYRIGHT PROPERTY OF THE HARWIN GROUP AND MUST NOT BE DISCLOSED, LOANED, COPIED OR USED FOR MANUFACTURING, TENDERING OR FOR ANY OTHER PURPOSE WITHOUT THEIR WRITTEN PERMISSION.

MATERIAL:
SEE ABOVE

TITLE:
1.25mm GECKO FEMALE VERTICAL
SMT CONNECTORS IN TAPE & REEL

DRAWING NUMBER:
G125-FS1XX05LOR

SHT
5
OF
6

Customer Information Sheet

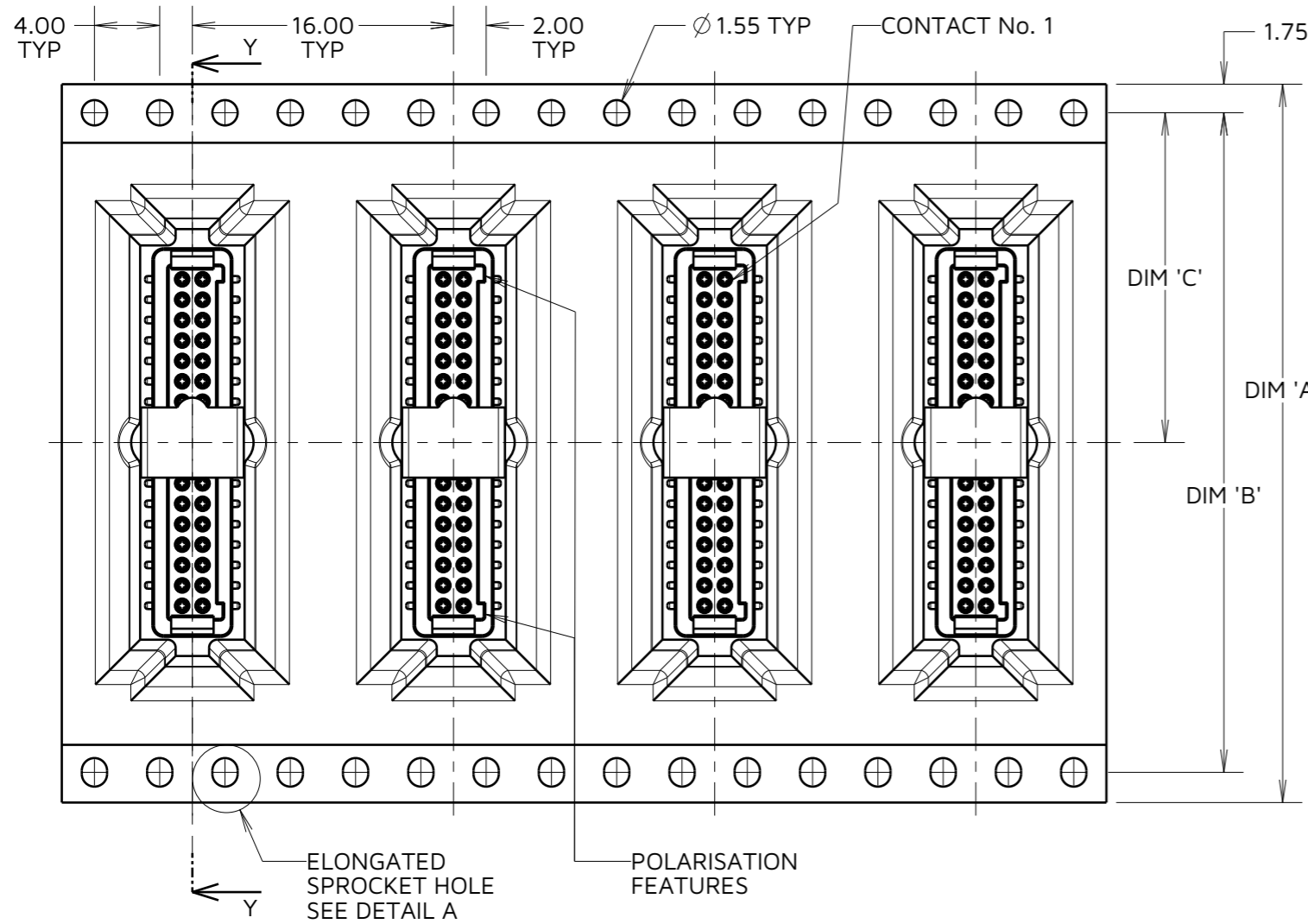
IF IN DOUBT - ASK



NOT TO SCALE

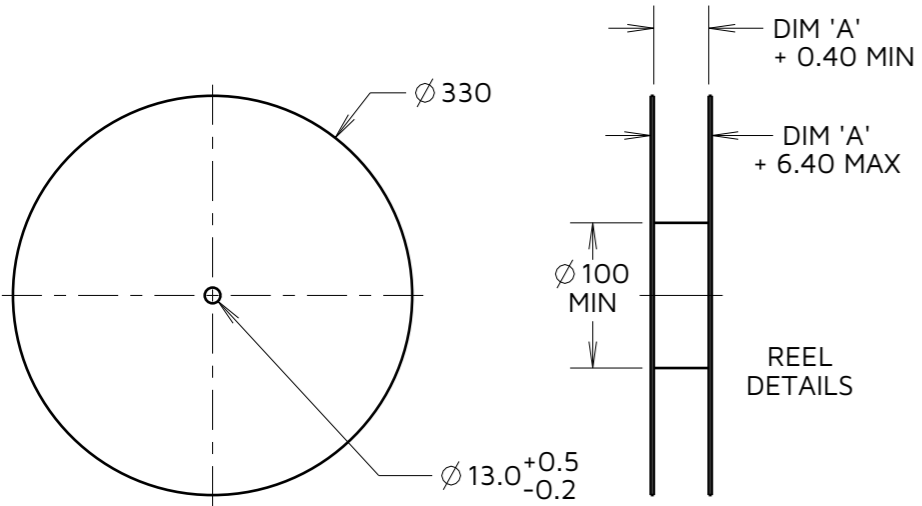
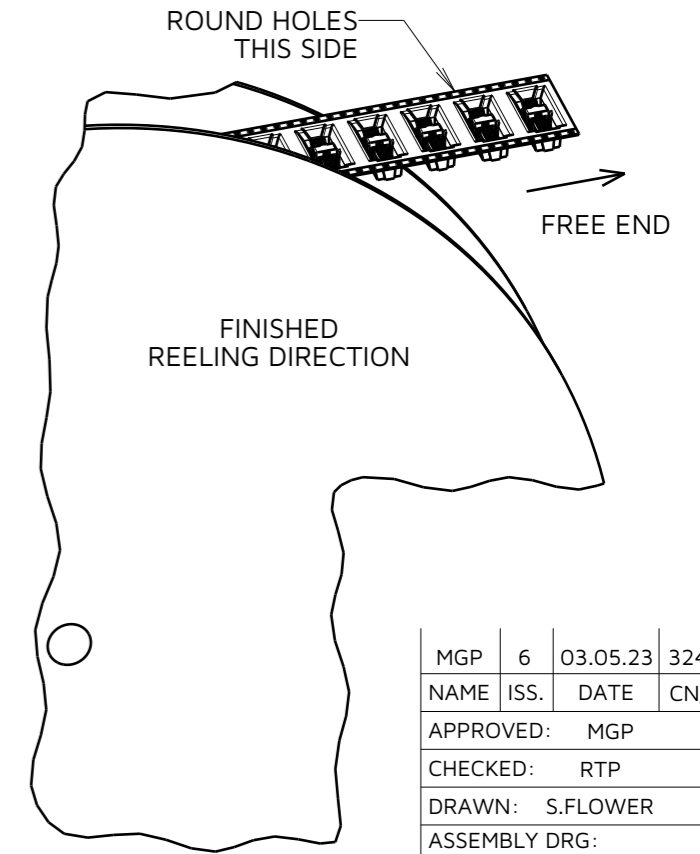
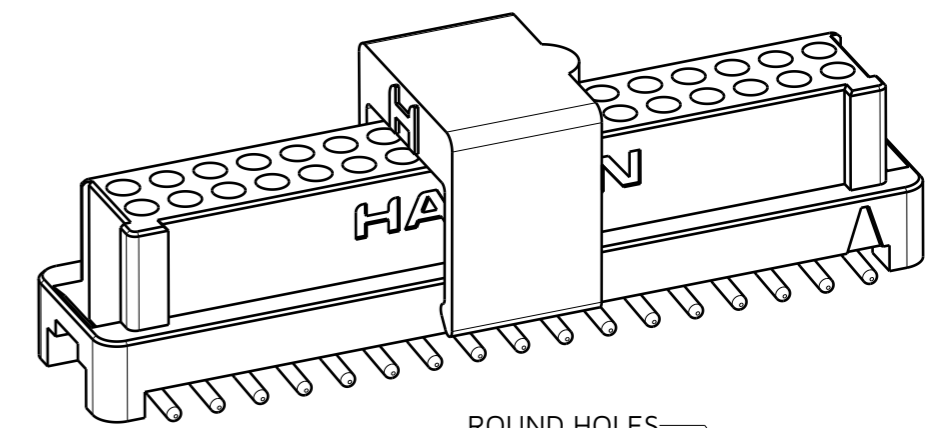
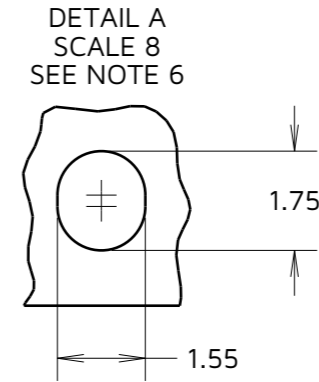
THIRD ANGLE PROJECTION

ALL DIMENSIONS IN mm



ORDER CODE:
G125-FS1XX05LOR

TOTAL No. OF CONTACTS:
06, 10, 12, 16, 20, 26, 34 & 50.



REELED PART No.	DIM 'A'	DIM 'B'	DIM 'C'	DIM 'D'
G125-FVX0605LOR	24.0±0.3	NO ELONGATED HOLE	11.50	(8.6)
G125-FVX1005LOR				(11.1)
G125-FVX1205LOR	32.0±0.3	28.40	14.20	(12.4)
G125-FVX1605LOR				(14.9)
G125-FVX2005LOR	44.0±0.3	40.40	20.2±0.15	(18.1)
G125-FVX2605LOR				(21.9)
G125-FVX3405LOR	56.0±0.3	52.40	26.2±0.15	(26.9)
G125-FVX5005LOR				(36.1)

- NOTES:
1. QUANTITY OF COMPONENTS PER REEL = 400.
 2. SEE DRAWING G125-FS1XX05LOP FOR OTHER QUANTITIES.
 3. THIS PRODUCT IS TAPED AND REELED IN ACCORDANCE WITH EIA-481 (ELECTRONIC INDUSTRIES ASSOCIATION).
 4. FOR COMPLETE SPECIFICATION, SEE COMPONENT SPECIFICATION C125XX (LATEST ISSUE).
 5. COMPONENTS ARE ORIENTATED IN TAPE POCKETS SO THAT THE POLARISING FEATURES ARE FACING TOWARDS THE FREE END.
 6. ELONGATED SPROCKET HOLE NOT PRESENT ON 06 & 10 POSITIONS.

MGP	6	03.05.23	32485
NAME	ISS.	DATE	CN/CO
APPROVED: MGP			
CHECKED: RTP			
DRAWN: S.FLOWER			
ASSEMBLY DRG:			



TOLERANCES
 X. = ±1mm
 X.X = ±0.50mm
 X.XX = ±0.20mm
 X.XXX = ±0.01mm
 ANGLES = ±5°
 UNLESS STATED

THIS DRAWING AND ANY INFORMATION OR DESCRIPTIVE MATTER SET OUT HEREON ARE CONFIDENTIAL AND COPYRIGHT PROPERTY OF THE HARWIN GROUP AND MUST NOT BE DISCLOSED, LOANED, COPIED OR USED FOR MANUFACTURING, TENDERING OR FOR ANY OTHER PURPOSE WITHOUT THEIR WRITTEN PERMISSION.

MATERIAL:
SEE NOTE 4

TITLE:
1.25mm GECKO FEMALE VERTICAL SMT CONNECTORS IN TAPE & REEL

DRAWING NUMBER:
G125-FS1XX05LOR

SHT 6 OF 6