

Customer Information Sheet

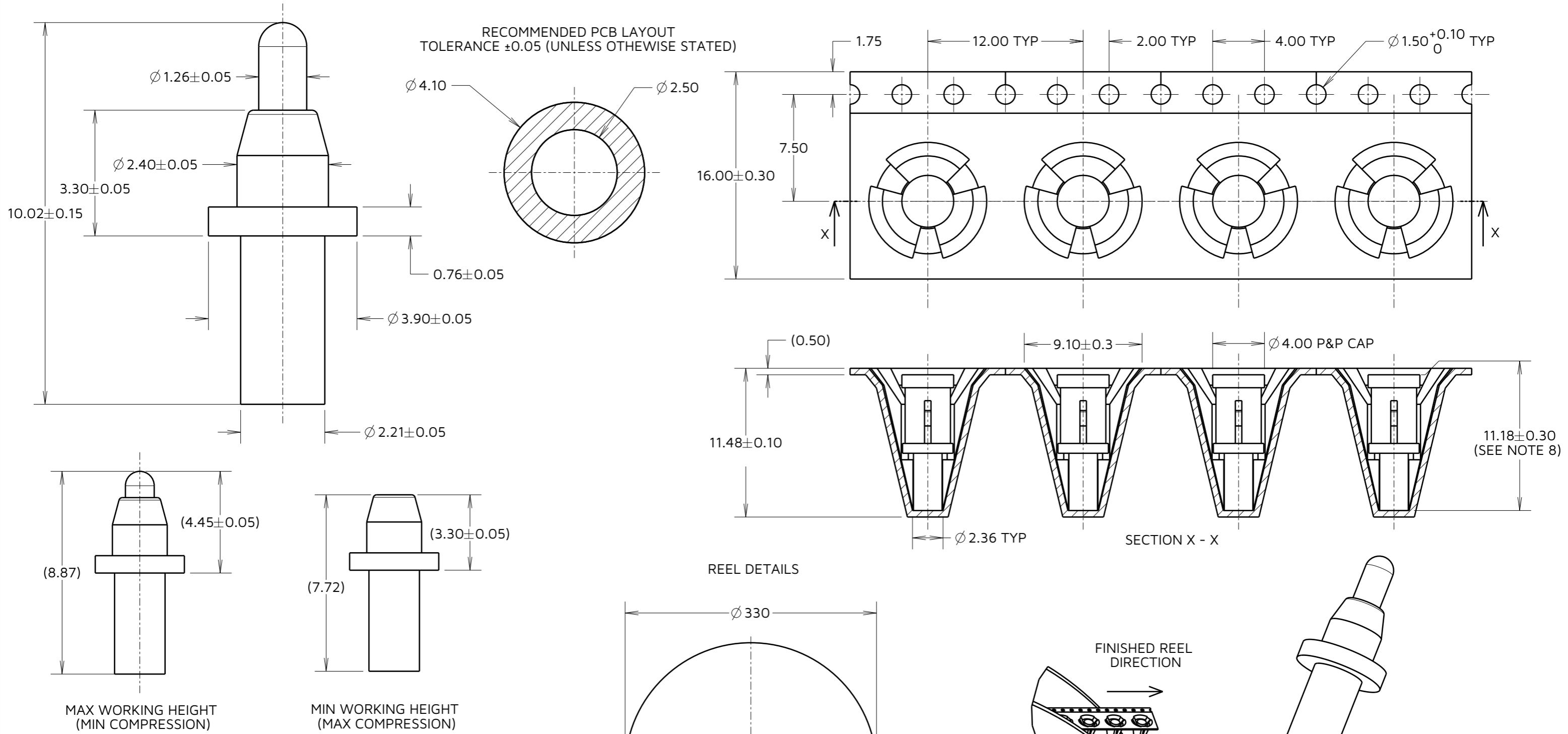
IF IN DOUBT - ASK



NOT TO SCALE

THIRD ANGLE PROJECTION

ALL DIMENSIONS IN mm



- NOTES:
- MATERIALS:
BARREL & PLUNGER: COPPER ALLOY
SPRING: STAINLESS STEEL
TAPE MATERIAL: PET TRANSPARENT
 - PLATING:
PLUNGER: GOLD OVER NICKEL
BARREL : GOLD OVER NICKEL
P&P CAP: PA9T
 - TAPE MATERIAL: PET TRANSPARENT
 - QUANTITY OF COMPONENT PER REEL: 500PCS/6.34m.
 - THIS PRODUCT IS TAPED AND REELED IN ACCORDANCE WITH EIA-481 STANDARDS.
 - SEE SHEET 3 FOR P70-2410045R
 - FOR COMPLETE ELECTRICAL AND MECHANICAL SPECIFICATION SEE COMPONENT SPECIFICATION C056XX (LATEST ISSUE)
 - THIS DIMENSION IS THE TOTAL COMPONENT HEIGHT (INC. PICK AND PLACE CAP).



TOLERANCES
X. = ±1mm
X.X = ±0.50mm
X.XX = ±0.20mm
X.XXX = ±0.01mm
ANGLES = ±5°
UNLESS STATED

THIS DRAWING AND ANY INFORMATION OR DESCRIPTIVE MATTER SET OUT HEREON ARE CONFIDENTIAL AND COPYRIGHT PROPERTY OF THE HARWIN GROUP AND MUST NOT BE DISCLOSED, LOANED, COPIED OR USED FOR MANUFACTURING, TENDERING OR FOR ANY OTHER PURPOSE WITHOUT THEIR WRITTEN PERMISSION.

MATERIAL:
SEE NOTE 1

TITLE:
THROUGH HOLE SPRING LOADED POGO PIN
DRAWING NUMBER:
P70-2400045R

FC	1	23.04.24	33949
NAME	ISS.	DATE	CN/CO
APPROVED: R.PORTLOCK			
CHECKED: A.YEOMANS			
DRAWN: F.CHRISPINE			
ASSEMBLY DRG:			

Customer Information Sheet

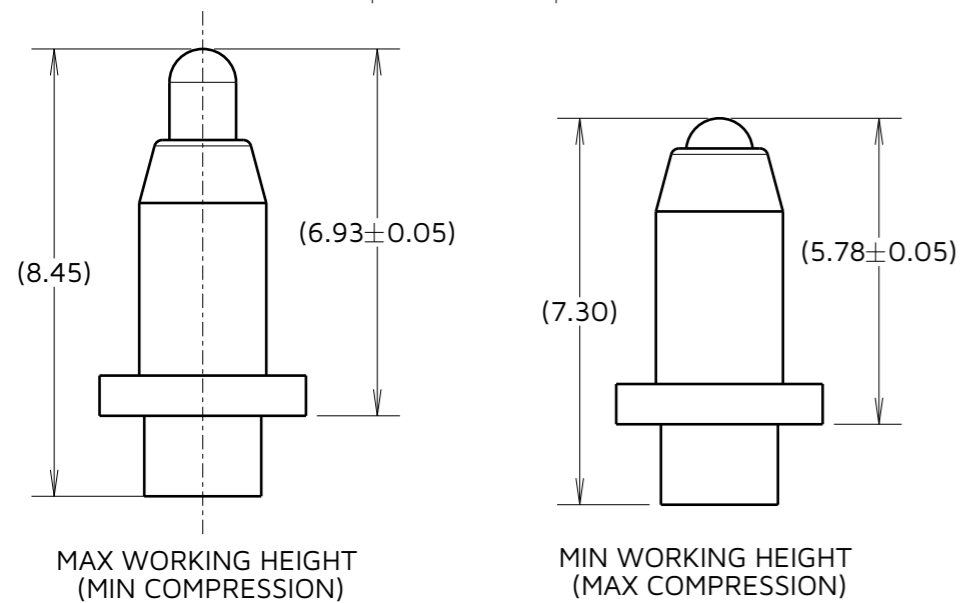
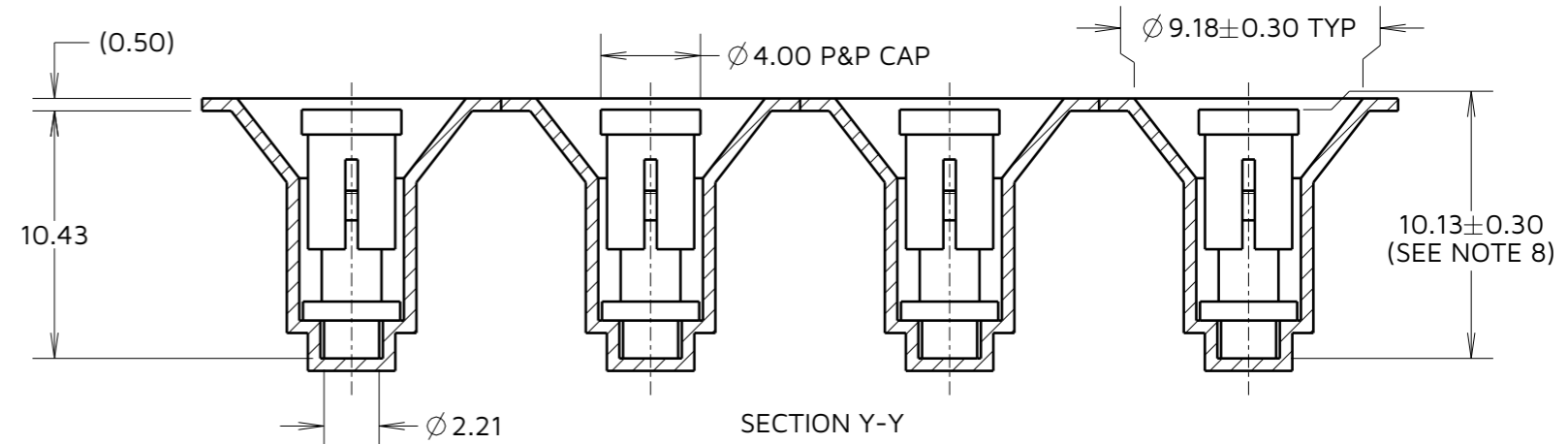
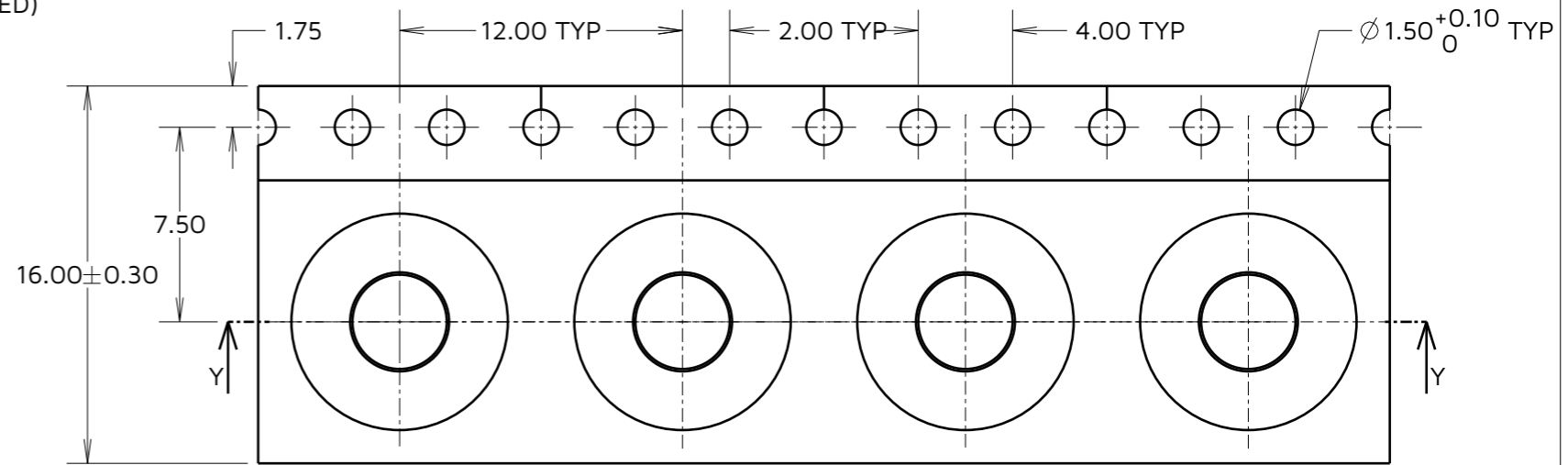
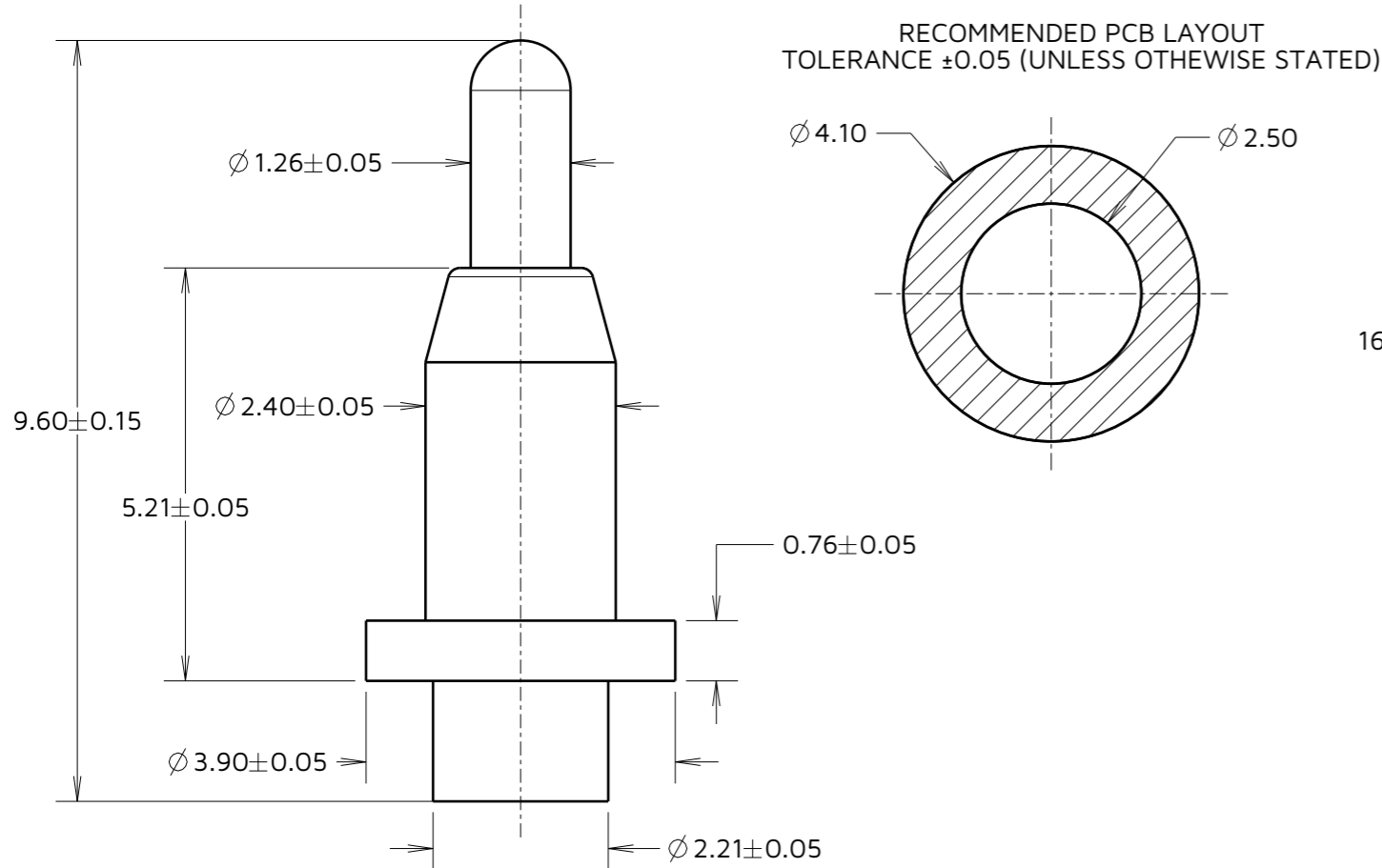
IF IN DOUBT - ASK

©

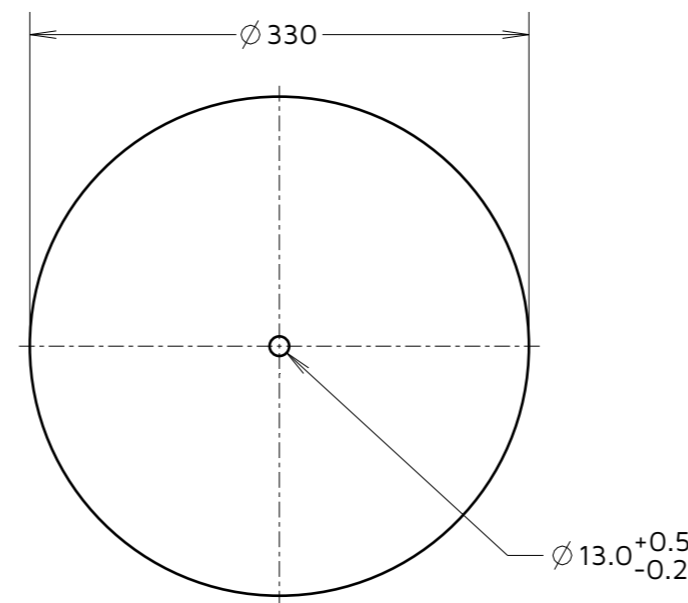
NOT TO SCALE

THIRD ANGLE PROJECTION

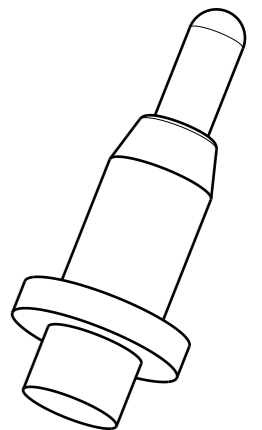
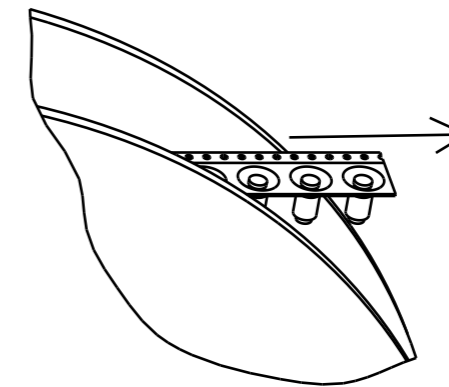
ALL DIMENSIONS IN mm



REEL DETAILS



FINISHED REELING DIRECTION.



NOTES:

- MATERIALS:
BARREL & PLUNGER: COPPER ALLOY
SPRING: STAINLESS STEEL
TAPE MATERIAL: PET TRANSPARENT
- PLATING:
PLUNGER: GOLD OVER NICKEL
BARREL : GOLD OVER NICKEL
P&P CAP: PA9T
- TAPE MATERIAL: PET TRANSPARENT
- QUANTITY OF COMPONENT PER REEL: 500PCS/6.34m.
- THIS PRODUCT IS TAPED AND REELED IN ACCORDANCE WITH EIA-481 STANDARDS.
- SEE SHEET 2 FOR P70-2400045R
- FOR COMPLETE ELECTRICAL AND MECHANICAL SPECIFICATION SEE COMPONENT SPECIFICATION C056XX (LATEST ISSUE)
- THIS DIMENSION IS THE TOTAL COMPONENT HEIGHT (INC. PICK AND PLACE CAP).

FC	1	23.04.24	33949
NAME	ISS.	DATE	CN/CO
APPROVED: R.PORTLOCK			
CHECKED: A.YEOMANS			
DRAWN: F.CHRISPINE			
ASSEMBLY DRG:			

HARWIN

www.harwin.com

TOLERANCES
X. = ± 1 mm
X.X = ± 0.50 mm
X.XX = ± 0.20 mm
X.XXX = ± 0.01 mm
ANGLES = $\pm 5^\circ$
UNLESS STATED

THIS DRAWING AND ANY INFORMATION OR DESCRIPTIVE MATTER SET OUT HEREON ARE CONFIDENTIAL AND COPYRIGHT PROPERTY OF THE HARWIN GROUP AND MUST NOT BE DISCLOSED, LOANED, COPIED OR USED FOR MANUFACTURING, TENDERING OR FOR ANY OTHER PURPOSE WITHOUT THEIR WRITTEN PERMISSION.

MATERIAL:

SEE NOTE 1

TITLE:
**THROUGH HOLE SPRING
LOADED POGO PIN**
DRAWING NUMBER:
P70-2410045R

SHT
3
OF
3