

Customer Information Sheet

IF IN DOUBT - ASK



NOT TO SCALE

THIRD ANGLE PROJECTION

ALL DIMENSIONS IN mm

SPECIFICATIONS:

MATERIAL:
 HOUSING = GLASS-FILLED PPS, UL94V-0, BLACK
 CONTACT = BRASS
 JACKSCREW & BOARDMOUNT = STAINLESS STEEL
FINISH
 CONTACT = GOLD
PACKING:
 BAG
 FOR COMPLETE SPECIFICATION, SEE COMPONENT SPECIFICATION C005XX (LATEST ISSUE)

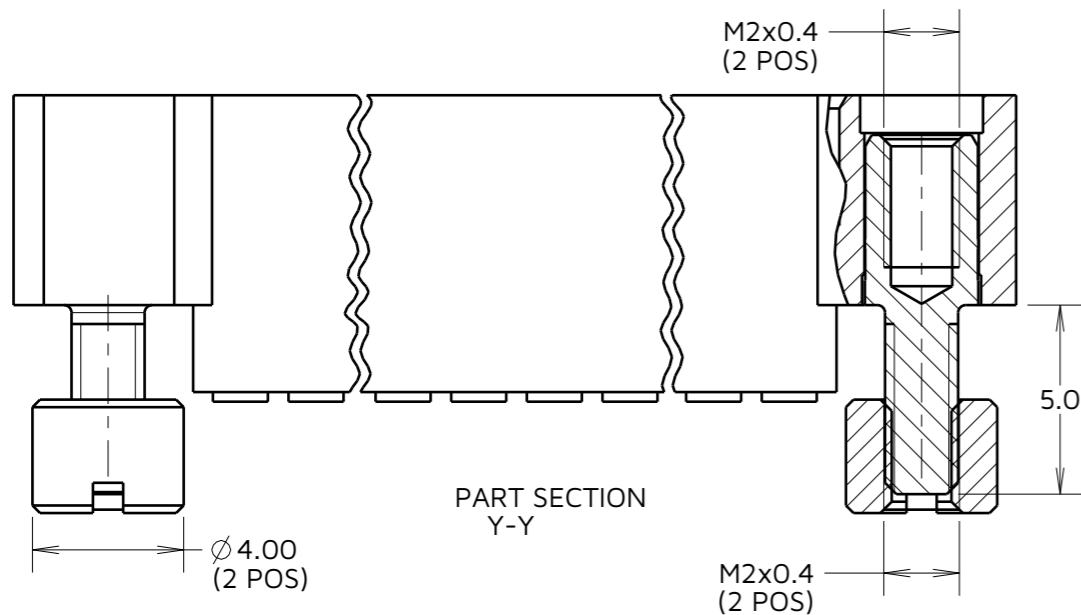
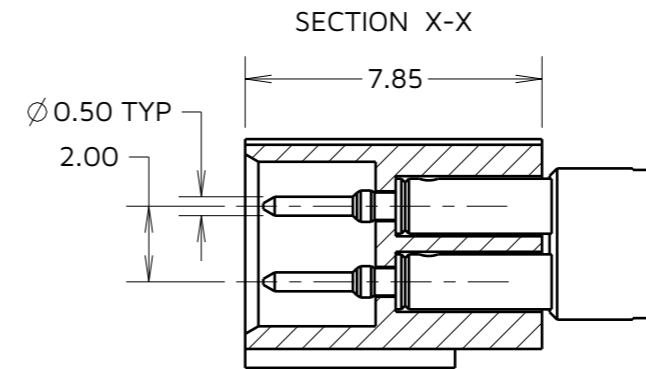
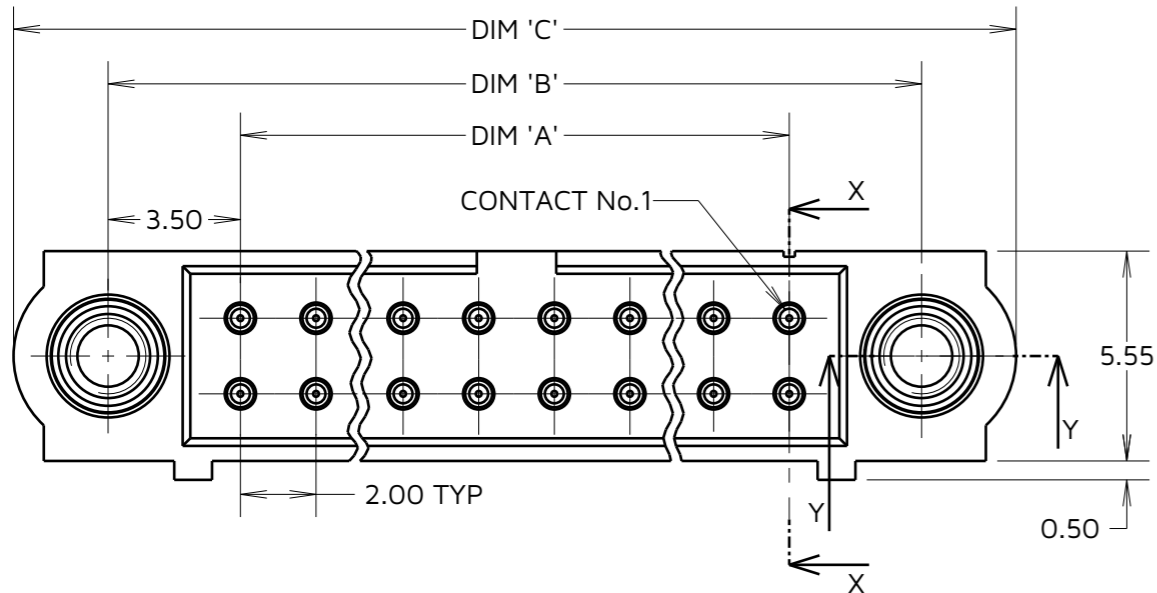
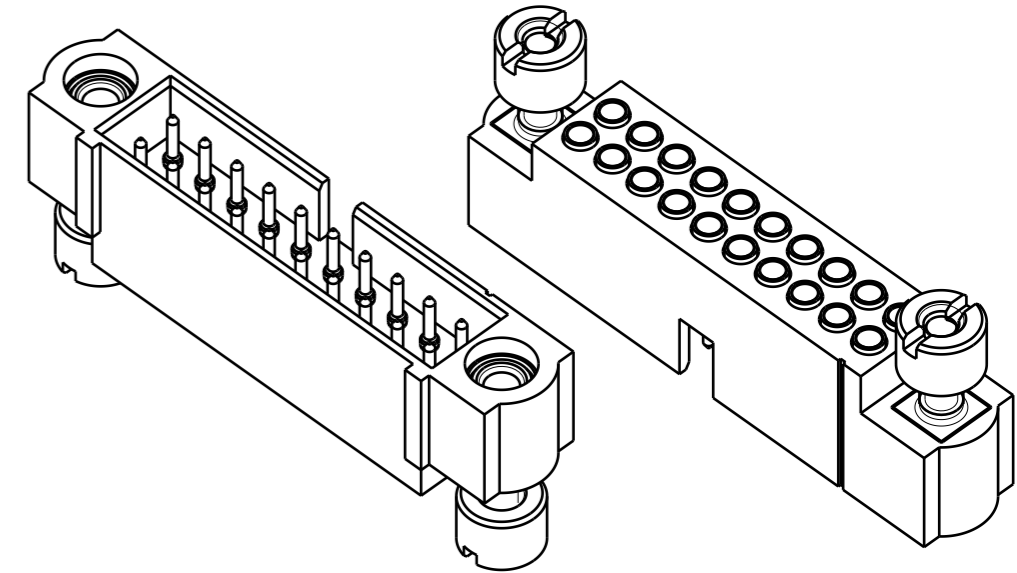
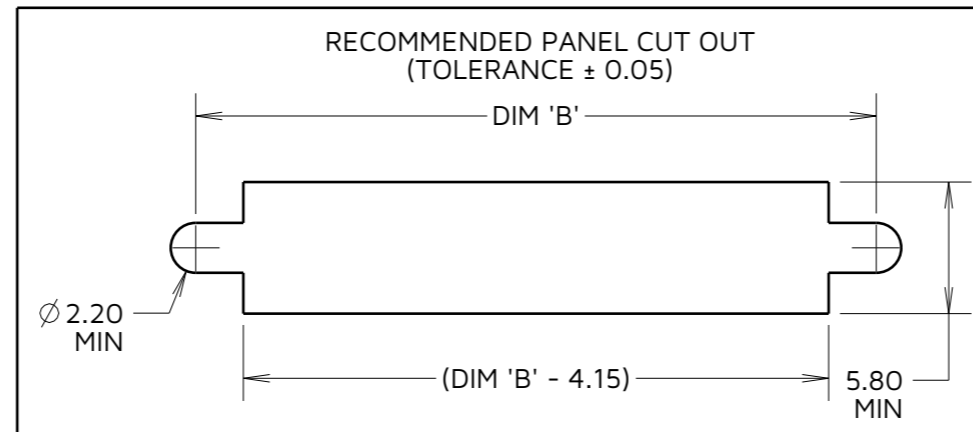


TABLE 1: DIMENSION VARIANTS

PART No.	DIM 'A'	DIM 'B'	DIM 'C'
M80-5C10405M3	2.00	3.50	4.5
M80-5C10605M3	4.00	5.50	6.5
M80-5C10805M3	6.00	7.50	8.5
M80-5C11005M3	8.00	9.50	10.5
M80-5C11205M3	10.00	11.50	12.5
M80-5C14005M3	12.00	13.50	14.5
M80-5C11405M3	14.00	15.50	16.5
M80-5C11605M3	16.00	17.50	18.5
M80-5C11805M3	18.00	19.50	20.5
M80-5C12005M3	20.00	21.50	22.5
M80-5C12205M3	22.00	23.50	24.5
M80-5C12405M3	24.00	25.50	26.5
M80-5C12605M3	26.00	27.50	28.5
M80-5C12805M3	28.00	29.50	30.5
M80-5C13005M3	30.00	31.50	32.5
M80-5C13205M3	32.00	33.50	34.5
M80-5C13405M3	34.00	35.50	36.5
M80-5C13605M3	36.00	37.50	38.5
M80-5C13805M3	38.00	39.50	40.5
M80-5C14205M3	40.00	41.50	42.5
M80-5C14405M3	42.00	43.50	44.5
M80-5C14605M3	44.00	45.50	46.5
M80-5C14805M3	46.00	47.50	48.5
M80-5C15005M3	48.00	49.50	50.5

ORDER CODE:
M80-5C1XX05M3
 TOTAL No. OF CONTACTS []
 04 TO 50
 (EVEN NUMBERS ONLY)

- NOTES:**
- CONNECTORS ARE SUPPLIED WITH CONTACTS AND NUTS LOOSE.
 - FOR EXTRA CONTACTS, USE PART NUMBER M80-1950005.
 - RECOMMENDED WIRE TYPE = BS 3G 210 TYPE A, PTFE INSULATED 24-28 AWG. MAX INSULATION DIAMETER = ϕ 1.10mm, STRIP WIRE BY 2.00mm.
 - RECOMMENDED HAND CRIMP TOOL = M22520/2-01 WITH POSITIONER Z80-193. REFER TO TOOLING INSTRUCTION SHEET IS-01 FOR COMPLETE CRIMPING INSTRUCTIONS. CONTACT INSERTION & EXTRACTION TOOL = Z80-280. REFER TO TOOLING INSTRUCTION SHEET IS-25 FOR ASSEMBLY INSTRUCTIONS.
 - PART M80-5C12005M3 SHOWN FOR ILLUSTRATIVE PURPOSES ONLY.



TOLERANCES
 X. = \pm 1mm
 X.X = \pm 0.50mm
 X.XX = \pm 0.20mm
 X.XXX = \pm 0.01mm
 ANGLES = \pm 5°
 UNLESS STATED

THIS DRAWING AND ANY INFORMATION OR DESCRIPTIVE MATTER SET OUT HEREON ARE CONFIDENTIAL AND COPYRIGHT PROPERTY OF THE HARWIN GROUP AND MUST NOT BE DISCLOSED, LOANED, COPIED OR USED FOR MANUFACTURING, TENDERING OR FOR ANY OTHER PURPOSE WITHOUT THEIR WRITTEN PERMISSION.

MATERIAL:
 SEE ABOVE

TITLE: DATAMATE J-TEK MALE CRIMP ASSY (SMALL BORE) WITH BOARDMOUNT JACKSCREW
DRAWING NUMBER: M80-5C1XX05M3
 SHT 2 OF 2

JD	4	11.09.24	34310
NAME	ISS.	DATE	CN/CO
APPROVED:	J.DEAN		
CHECKED:	A.YEOMANS		
DRAWN:	R.ADDE		