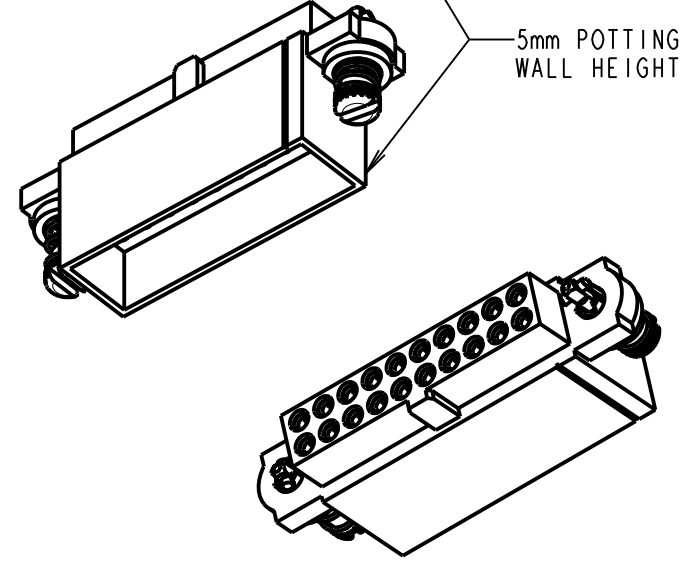
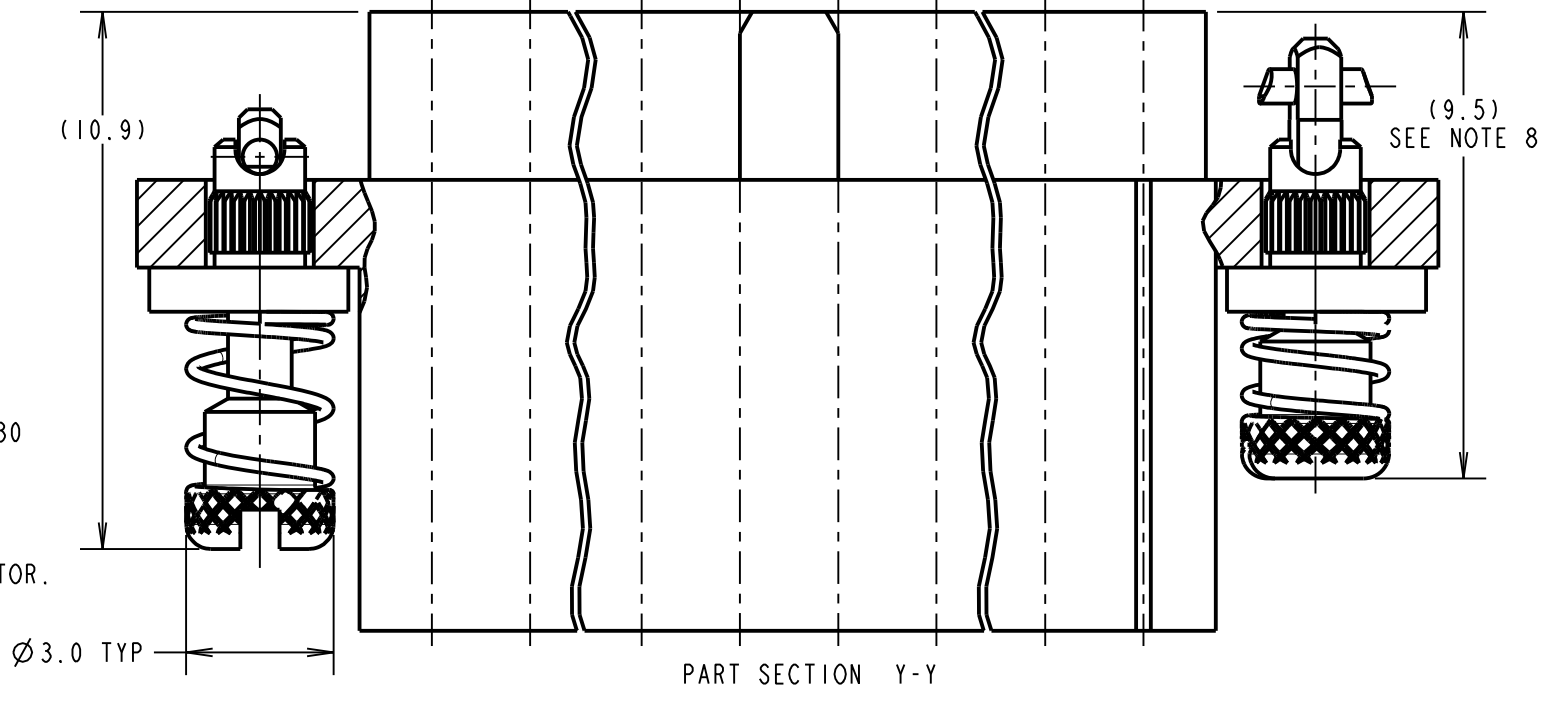
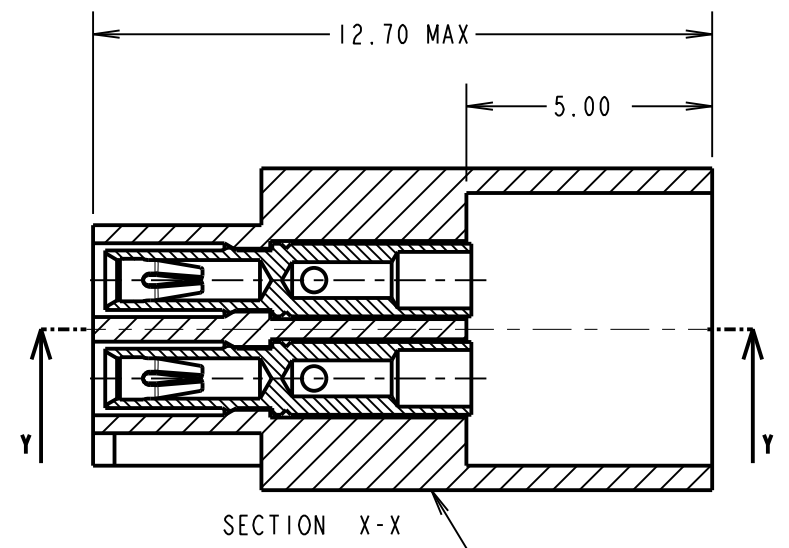
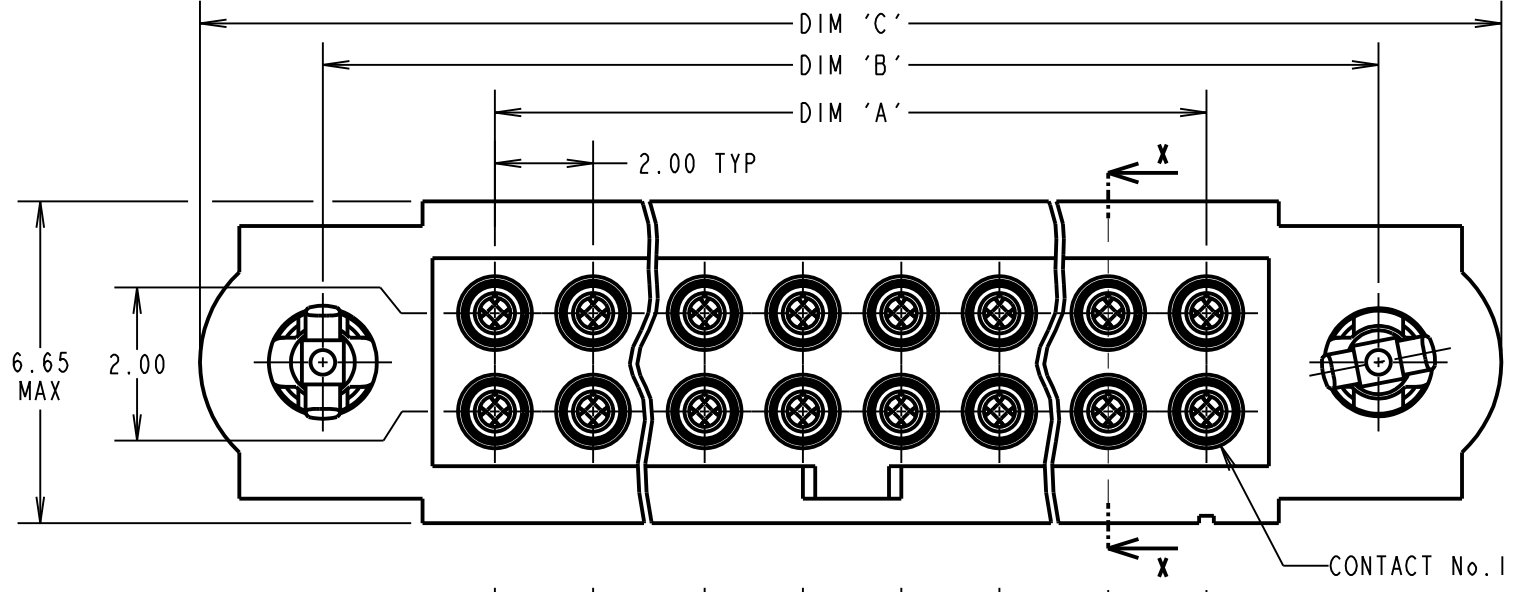


# Customer Information Sheet

DRAWING No.: M80-4C2XXXXFC      IF IN DOUBT - ASK      ©      NOT TO SCALE      THIRD ANGLE PROJECTION      ALL DIMENSIONS IN mm

**SPECIFICATIONS:**  
**MATERIAL:**  
 MOULDING = GLASS-FILLED PPS, UL94V-0, BLACK  
 CONTACT CLIP = BERYLLIUM COPPER  
 CONTACT SHELL = BRASS  
 IOILOK SCREW, COLLAR = STAINLESS STEEL  
 SPRING = MUSIC WIRE  
**FINISH:**  
 05 = 0.3µm GOLD CLIP, 0.25-0.3µm GOLD SHELL  
 42 = 0.3µm GOLD CLIP, 3.5-5.0µm 100% TIN OVER NICKEL SHELL  
 05 & 42 = TIN COATED SPRINGS  
**ELECTRICAL:**  
 CURRENT RATING AT 25°C = 3.3A MAX  
 CURRENT RATING AT 85°C = 2.6A MAX  
 WORKING VOLTAGE = 800V AC/DC  
 VOLTAGE PROOF = 1200V AC/DC  
 CONTACT RESISTANCE = 25mΩ MAX  
 INSULATION RESISTANCE = 100MΩ MIN  
**MECHANICAL:**  
 DURABILITY = 500 OPERATIONS  
 INSERTION FORCE (∅0.5mm GAUGE) = 2.0N MAX  
 WITHDRAWAL FORCE (∅0.5mm GAUGE) = 0.2N MIN  
**ENVIRONMENTAL:**  
 TEMPERATURE RANGE = -55°C TO +125°C  
**PACKING:**  
 BULK  
 FOR COMPLETE SPECIFICATION, SEE COMPONENT SPECIFICATION C005XX (LATEST ISSUE)



- NOTES:**
- CONNECTOR IS SUPPLIED WITH CONTACTS LOOSE.
  - FOR EXTRA CONTACTS, USE PART No.'s.  
 M80-0130001 FOR M80-4C2XX42FC  
 M80-0130005 FOR M80-4C2XX05FC
  - RECOMMENDED WIRE TYPE = BS 3G 210 TYPE A, PTFE INSULATED 24-28 AWG. MAX INSULATION DIAMETER = ∅1.10mm, STRIP WIRE BY 2.00mm.
  - RECOMMENDED HAND CRIMP TOOL = M22520/2-01 WITH POSITIONER T5747.
  - CONTACT INSERTION & EXTRACTION TOOL = Z80-280
  - INSTRUCTION SHEETS ARE AVAILABLE.
  - SPRING LOAD WHEN SOLID = 2.64N.  
 SPRING RATE = 1.32N/mm
  - LENGTH WILL BE 9.5mm WHEN IOILOK JACKSCREWS ARE ENGAGED WITH RETAINERS IN MATING CONNECTOR.

CONTACT: (QTY = TOTAL No. OF CONTACTS)  
 M80-01300XX (SEE NOTE 2)  
 05 = GOLD CLIP, GOLD SHELL  
 01 = GOLD CLIP, 100% TIN OVER NICKEL SHELL

DIMENSION	CALCULATION
DIM 'A'	TOTAL No. OF CONTACTS - 2
DIM 'B'	TOTAL No. OF CONTACTS + 5
DIM 'C'	TOTAL NUMBER CONTACTS + 10

EXAMPLE ORDER CODE: CONNECTOR WITH 20 SIGNAL CONTACTS, GOLD CLIP, 100% TIN OVER NICKEL SHELL AND 5mm EXTENDED POTTING WALL.  
 M80-4C22042FC  
 DIM 'A' = 18.00mm, DIM 'B' = 25.00mm, DIM 'C' = 30.00mm.

ORDER CODE: **M80-4C2XXXXFC**

TOTAL No. OF CONTACTS \_\_\_\_\_  
 06, 10, 12, 14, 18, 20,  
 26, 34, 42, 50

FINISH CODE \_\_\_\_\_  
 05 - GOLD CLIP, GOLD SHELL  
 42 - GOLD CLIP, 100% TIN OVER NICKEL SHELL

RTP	3	16.05.19	21531
NAME	ISS.	DATE	C/NOTE
APPROVED: R.PORTLOCK			
CHECKED: M.RUDKIN			
DRAWN: S.FLOWER			
CUSTOMER REF.:			
ASSEMBLY DRG:			

 www.harwin.com technical@harwin.com	THIS DRAWING AND ANY INFORMATION OR DESCRIPTIVE MATTER SET OUT HEREON ARE CONFIDENTIAL AND COPYRIGHT PROPERTY OF THE HARWIN GROUP AND MUST NOT BE DISCLOSED, LOANED, COPIED OR USED FOR MANUFACTURING, TENDERING OR FOR ANY OTHER PURPOSE WITHOUT THEIR WRITTEN PERMISSION.	TOLERANCES X. = ±1mm X.X = ±0.50mm X.XX = ±0.20mm X.XXX = ±0.01mm	MATERIAL: SEE ABOVE	TITLE: DATAMATE J-TEK FEMALE CRIMP (SMALL BORE) EXTENDED P. WALL WITH IOILOK SCREWS
		ANGLES = ±5° UNLESS STATED	FINISH: SEE ABOVE S/AREA: mm <sup>2</sup>	DRAWING NUMBER: <b>M80-4C2XXXXFC</b>