

Customer Information Sheet

IF IN DOUBT - ASK

©

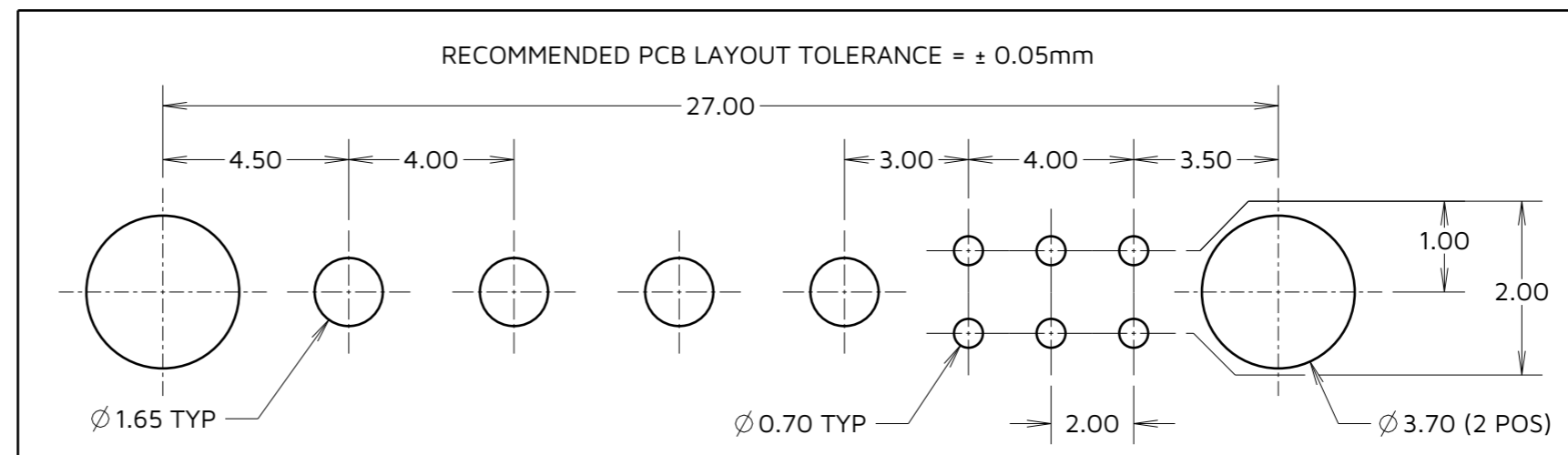
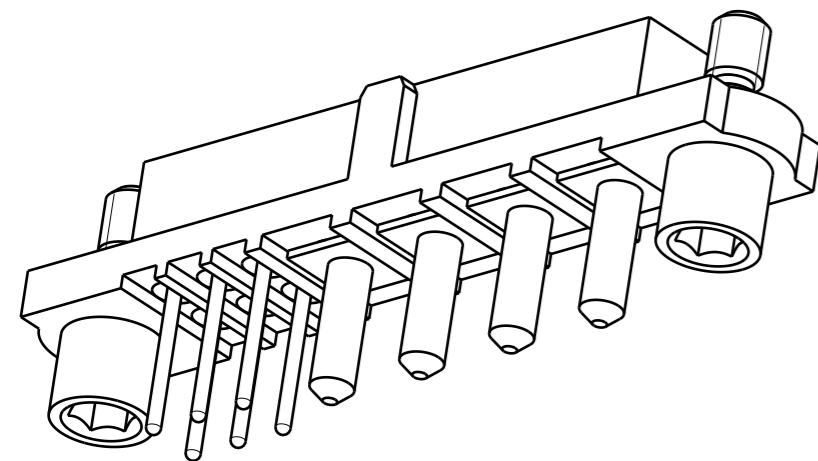
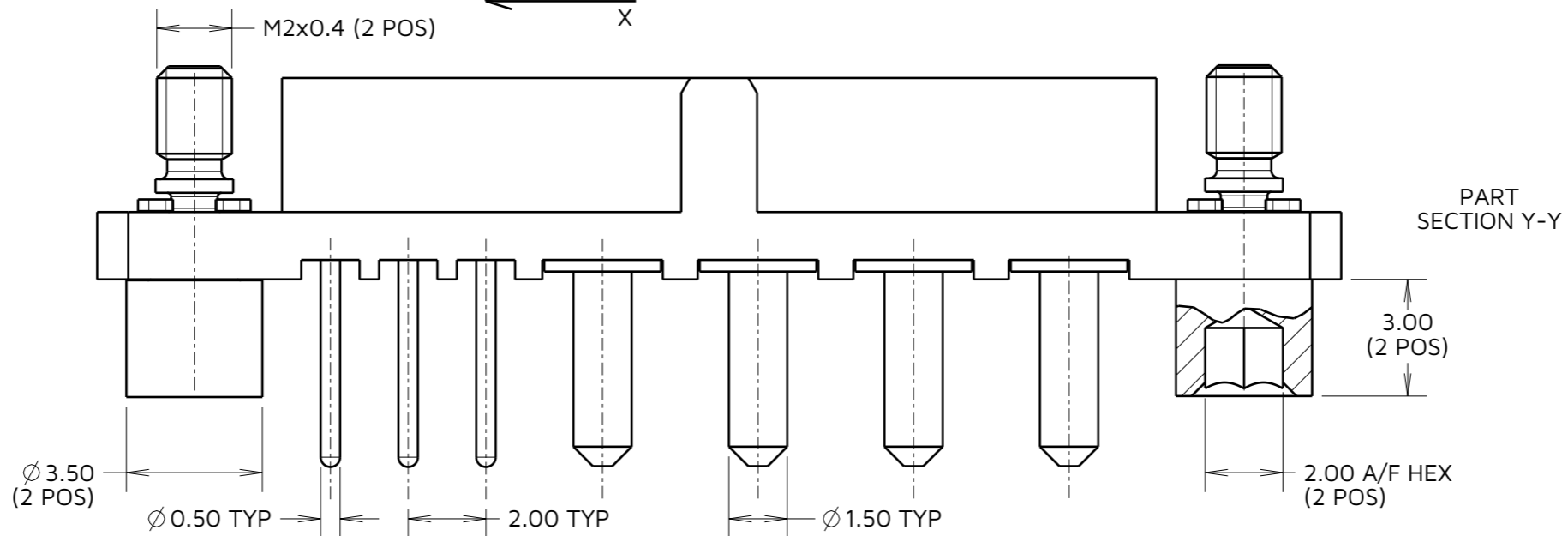
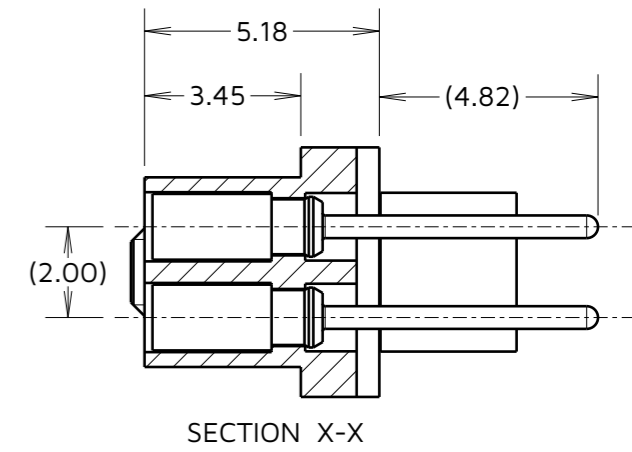
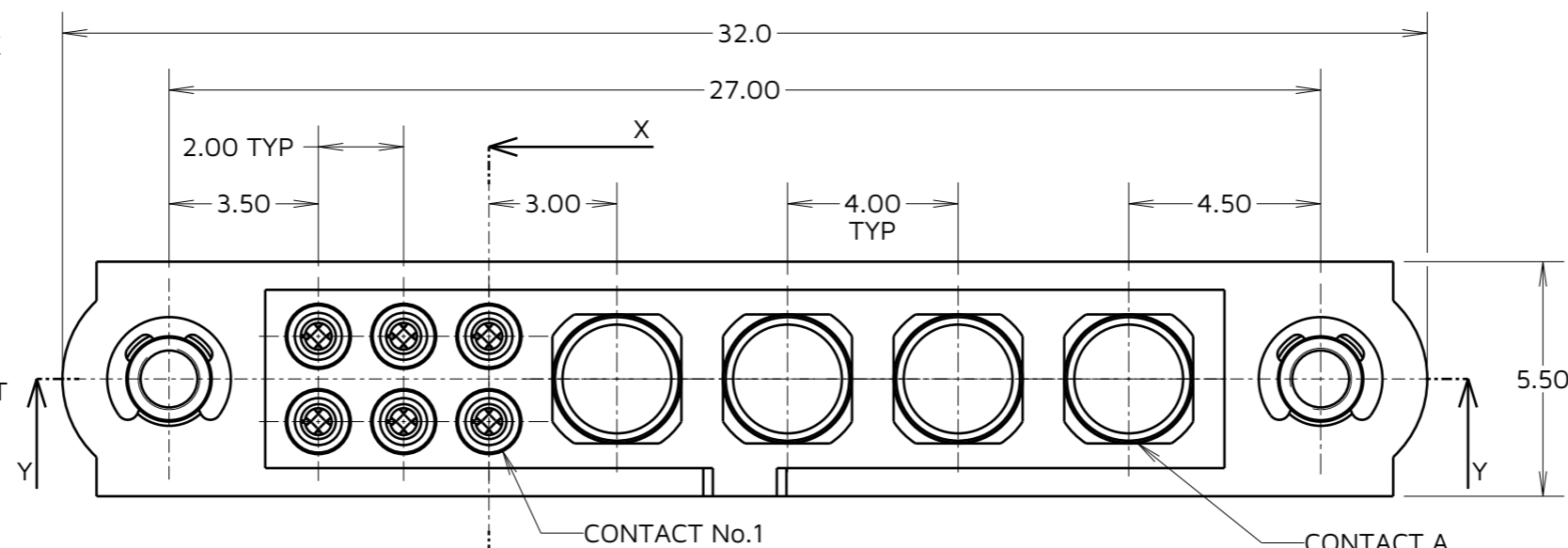
NOT TO SCALE

THIRD ANGLE PROJECTION

ALL DIMENSIONS IN mm

SPECIFICATIONS:

MATERIAL:
 HOUSING = GLASS FILLED PPS, UL94V-0, BLACK
 SIGNAL CONTACT:
 CLIP = BERYLLIUM COPPER
 SHELL = COPPER ALLOY
 POWER CONTACT = COPPER ALLOY
 JACKSCREW, CIRCLIP = STAINLESS STEEL
FINISH:
 SIGNAL CONTACT
 CLIP = GOLD
 SHELL - 90/10 TIN/LEAD
 POWER CONTACT = GOLD
PACKING:
 TUBE
 FOR COMPLETE SPECIFICATION, SEE COMPONENT SPECIFICATION C005XX (LATEST ISSUE)



JD	1	13.12.24	35356
NAME	ISS.	DATE	CN/CO
APPROVED: A.YEOMANS			
CHECKED: R.ALEXANDER			
DRAWN: J.DEAN			

HARWIN

www.harwin.com

TOLERANCES
 X. = ±1mm
 X.X = ±0.50mm
 X.XX = ±0.20mm
 X.XXX = ±0.01mm
 ANGLES = ±5°
 UNLESS STATED

THIS DRAWING AND ANY INFORMATION OR DESCRIPTIVE MATTER SET OUT HEREON ARE CONFIDENTIAL AND COPYRIGHT PROPERTY OF THE HARWIN GROUP AND MUST NOT BE DISCLOSED, LOANED, COPIED OR USED FOR MANUFACTURING, TENDERING OR FOR ANY OTHER PURPOSE WITHOUT THEIR WRITTEN PERMISSION.

MATERIAL & FINISH:
 SEE ABOVE

TITLE:
 DATAMATE MIX-TEK FEMALE VERTICAL JACKSCREW ASSEMBLY

DRAWING NUMBER:
 M80-4T20642F2-04-322-00-000

SHT
 2 OF 2