

Customer Information Sheet

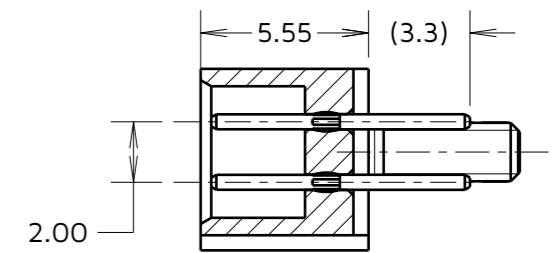
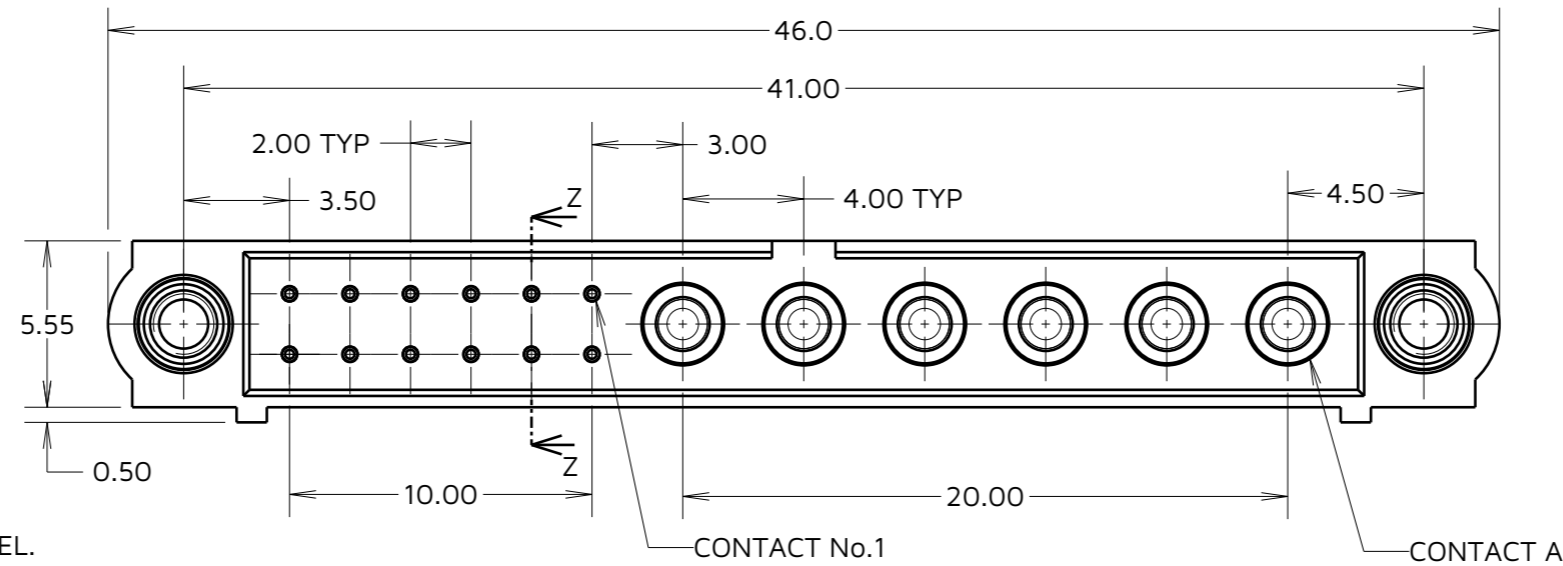
IF IN DOUBT - ASK

©

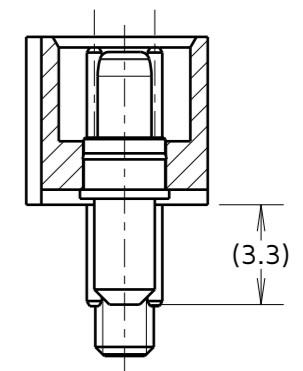
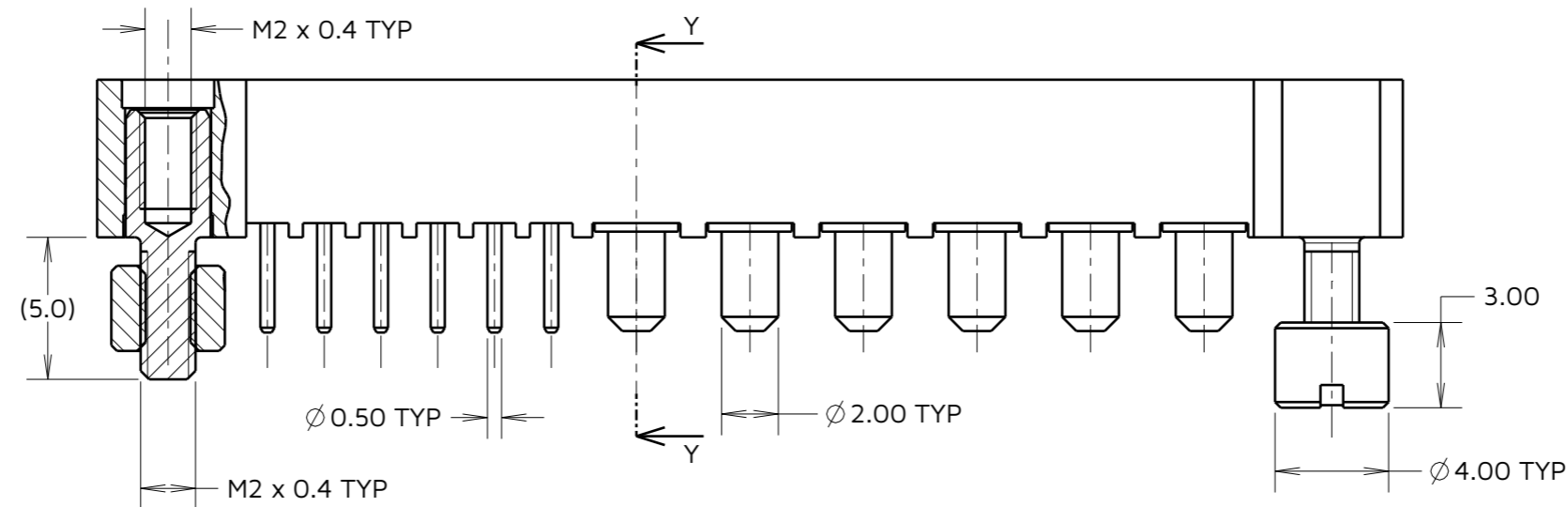
NOT TO SCALE

THIRD ANGLE PROJECTION

ALL DIMENSIONS IN mm



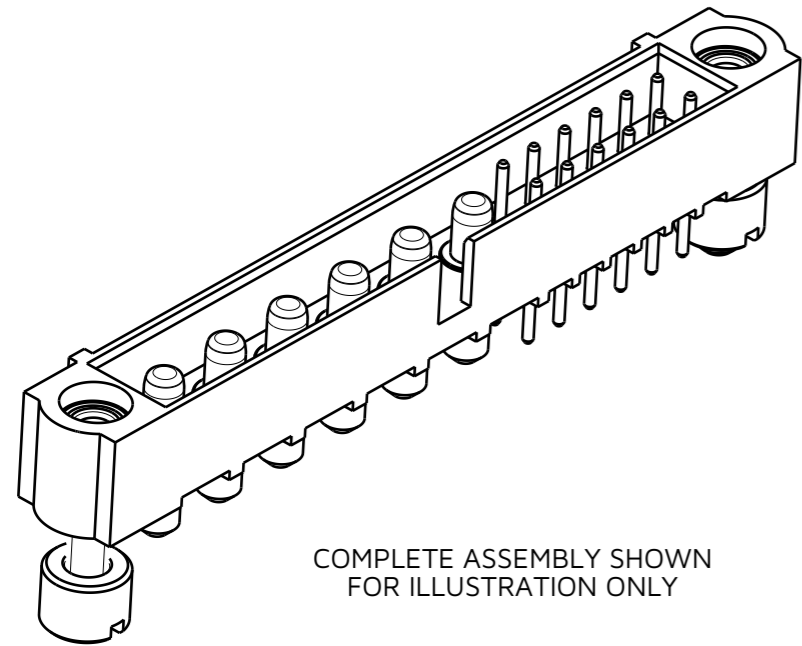
SECTION Z-Z



SECTION Y-Y

SPECIFICATIONS:
MATERIAL:
 MOULDING: GLASS-FILLED PPS, UL94V-0, BLACK.
 SIGNAL CONTACT: PHOSPHOR BRONZE
 POWER CONTACT: COPPER ALLOY
 BOARD-MOUNT JACKSCREW, NUT: STAINLESS STEEL.
FINISH:
 SIGNAL CONTACT: GOLD
 POWER CONTACT : GOLD
PACKING: TUBE.
 FOR COMPLETE SPECIFICATION SEE COMPONENT SPECIFICATION C005XX (LATEST ISSUE).

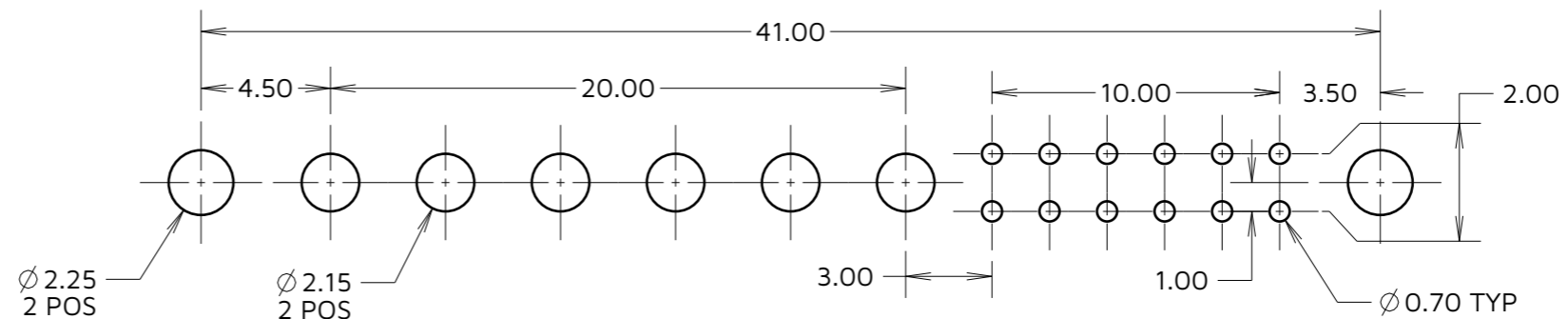
NOTES:
 1. FOR COMPLETE SPECIFICATION SEE COMPONENT SPECIFICATION C005XX (LATEST ISSUE).
 2. CONNECTORS ARE SUPPLIED WITH LOOSE NUTS ATTACHED TO TUBE. NUTS ARE SHOWN ASSEMBLED FOR ILLUSTRATIVE PURPOSES ONLY.
 3. FOR ADDITIONAL NUTS, USE PART NUMBER: M80-2130000B.



COMPLETE ASSEMBLY SHOWN FOR ILLUSTRATION ONLY

RECOMMENDED PCB LAYOUT:

ALL TOLERANCES ±0.05mm



RTP	2	18.07.24	34433
NAME	ISS.	DATE	CN/CO
APPROVED: R.PORTLOCK			
CHECKED: A.YEOMANS			
DRAWN: F.CHRISPINE			
ASSEMBLY DRG:			

HARWIN

www.harwin.com

TOLERANCES
 X. = ±1mm
 X.X = ±0.50mm
 X.XX = ±0.20mm
 X.XXX = ±0.01mm
 ANGLES = ±5°
 UNLESS STATED

THIS DRAWING AND ANY INFORMATION OR DESCRIPTIVE MATTER SET OUT HEREON ARE CONFIDENTIAL AND COPYRIGHT PROPERTY OF THE HARWIN GROUP AND MUST NOT BE DISCLOSED, LOANED, COPIED OR USED FOR MANUFACTURING, TENDERING OR FOR ANY OTHER PURPOSE WITHOUT THEIR WRITTEN PERMISSION.

MATERIAL:

SEE ABOVE

TITLE:

DATAMATE MIX-TEK VERTICAL PC TAIL MALE ASSEMBLY

DRAWING NUMBER:

M80-5T11205M3-06-PM1-00-000

SHT 2 OF 2