

Customer Information Sheet

DRAWING No.: G125-32496M2-01-08-01

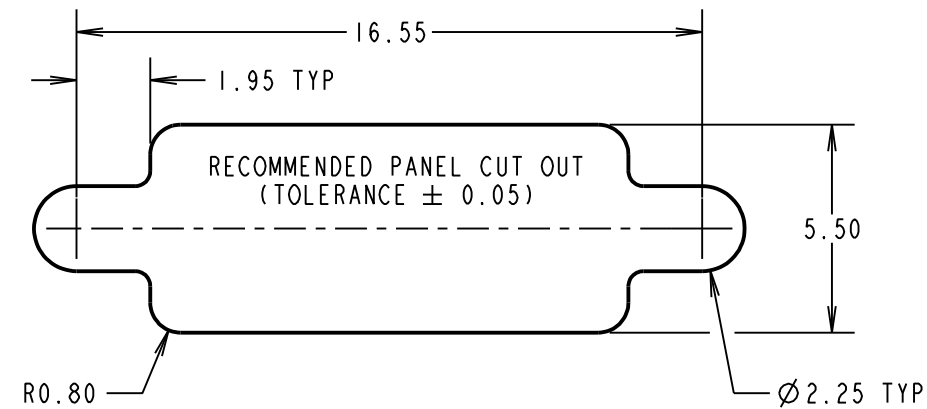
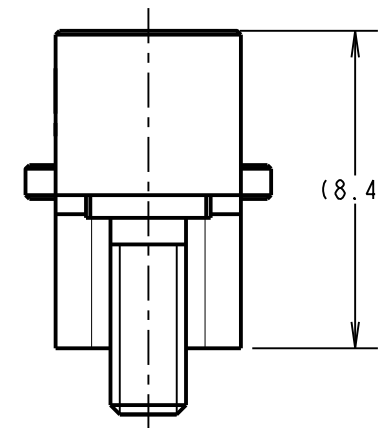
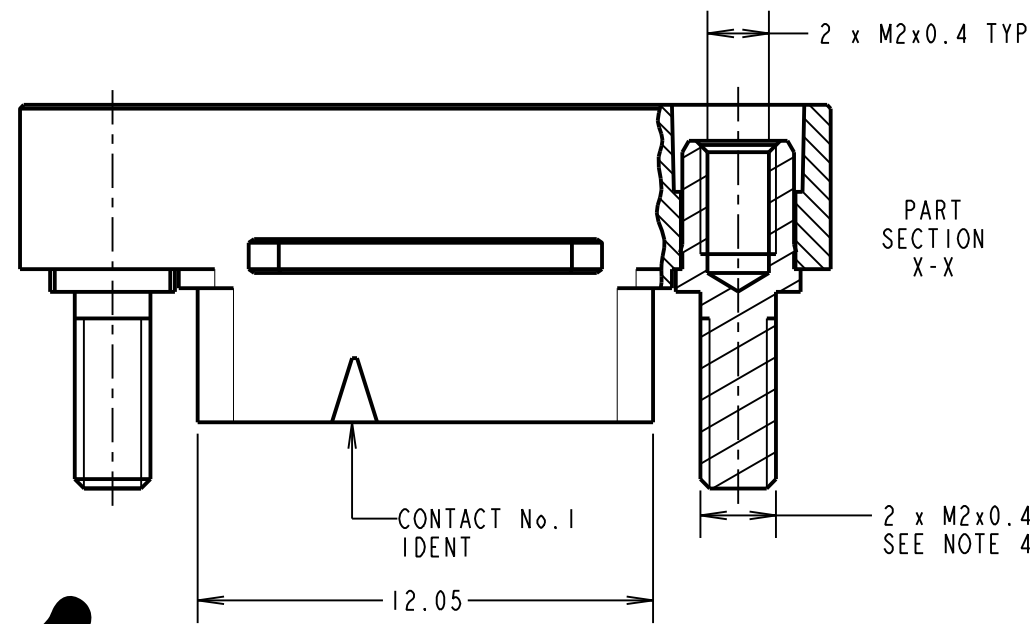
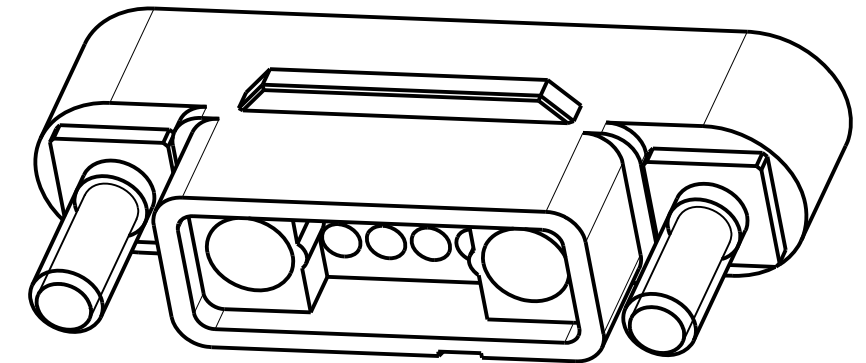
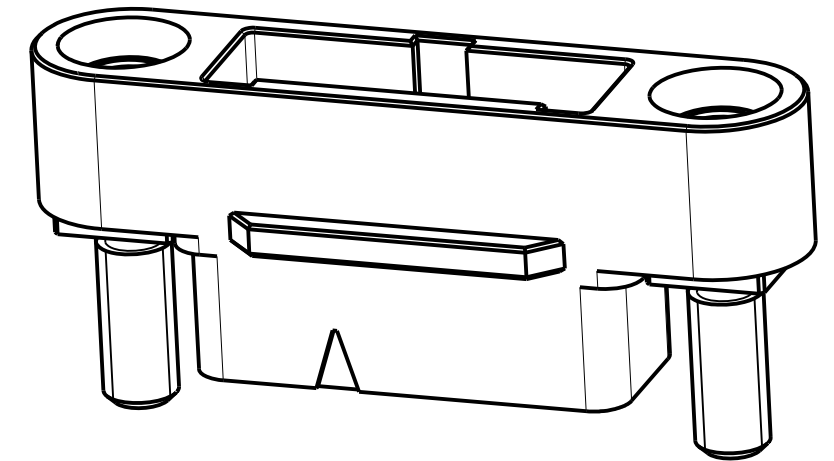
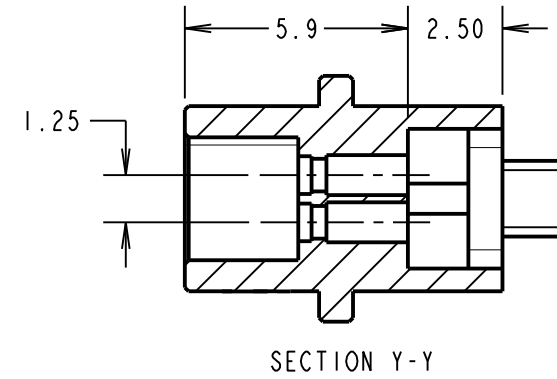
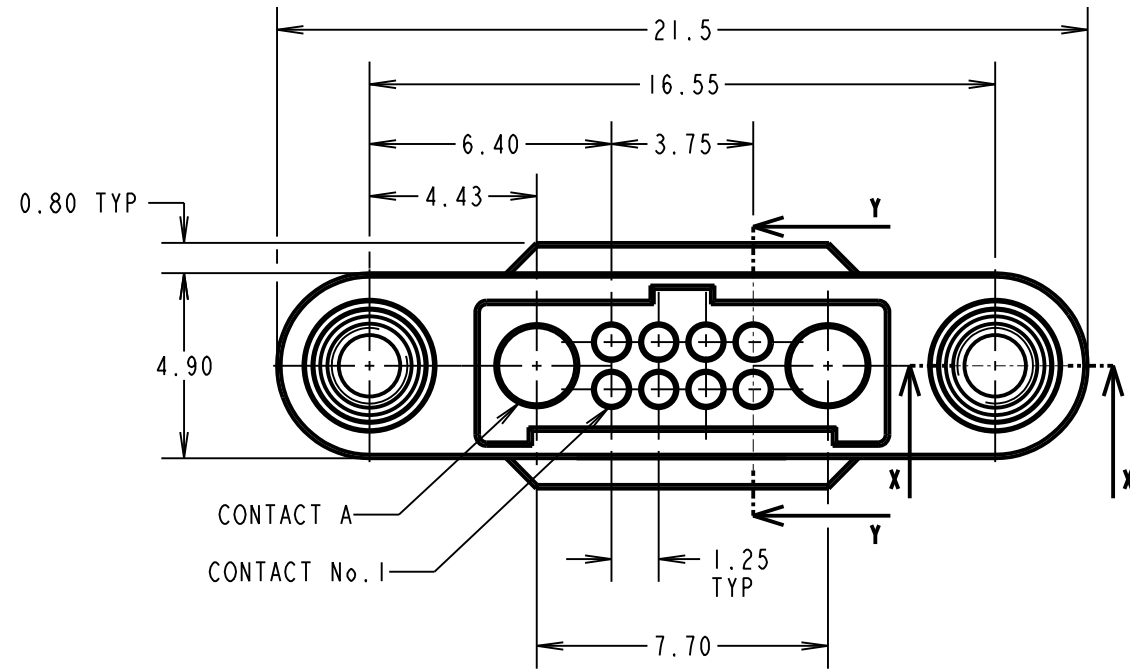
IF IN DOUBT - ASK

©

NOT TO SCALE

THIRD ANGLE PROJECTION

ALL DIMENSIONS IN mm



PATENTED TECHNOLOGY

NOTES:

1. MOULDING TO BE USED WITH G125-1010005 AND G125-1020005 MALE SIGNAL CONTACTS AND G125-1500005 MALE POWER CONTACT.
2. FOR ASSEMBLY INSTRUCTIONS SEE INSTRUCTION SHEET IS-38.
3. FOR MATERIALS, FINISH AND SPECIFICATION SEE GECKO SERIES SPECIFICATION SUMMARY SHEET OR COMPONENT SPECIFICATION C125XX (LATEST ISSUE) FOR FULL SPECIFICATION.
4. FOR PANEL MOUNT NUTS ORDER SEPARATELY, PART NUMBER: G125-4510000B ROUND SLOTTED NUT - BAG OF 12. (G125-4500000B HEXAGONAL THIN NUT IS NOT SUITABLE).

RA	I	30.09.20	30220
NAME	ISS.	DATE	CN/CO
APPROVED: R.ALEXANDER			
CHECKED: R.PORTLOCK			
DRAWN: R.ALEXANDER			
CUSTOMER REF.:			
ASSEMBLY DRG:			

HARWIN

www.harwin.com
technical@harwin.com

THIS DRAWING AND ANY INFORMATION OR DESCRIPTIVE MATTER SET OUT HEREON ARE CONFIDENTIAL AND COPYRIGHT PROPERTY OF THE HARWIN GROUP AND MUST NOT BE DISCLOSED, LOANED, COPIED OR USED FOR MANUFACTURING, TENDERING OR FOR ANY OTHER PURPOSE WITHOUT THEIR WRITTEN PERMISSION.

TOLERANCES

X. = ±1mm
X.X = ±0.50mm
X.XX = ±0.20mm
X.XXX = ±0.01mm
ANGLES = ±5°
UNLESS STATED

MATERIAL:

SEE ABOVE

FINISH:

SEE ABOVE

S/AREA:

mm²

TITLE: G125 MT SERIES
MALE CABLE MOULDING
WITH REVERSE FIX PANEL MOUNT

DRAWING NUMBER:

G125-32496M2-01-08-01

SHT

2 OF 2