

# Customer Information Sheet

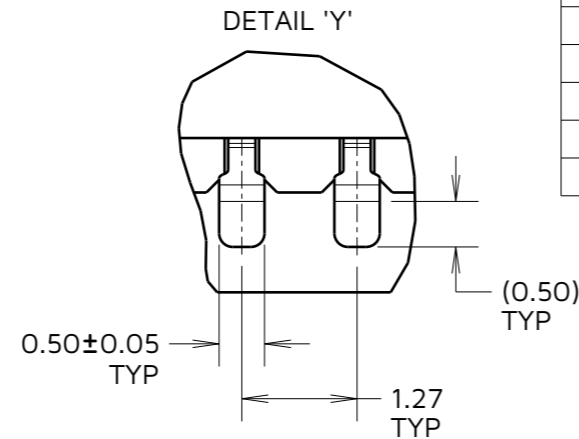
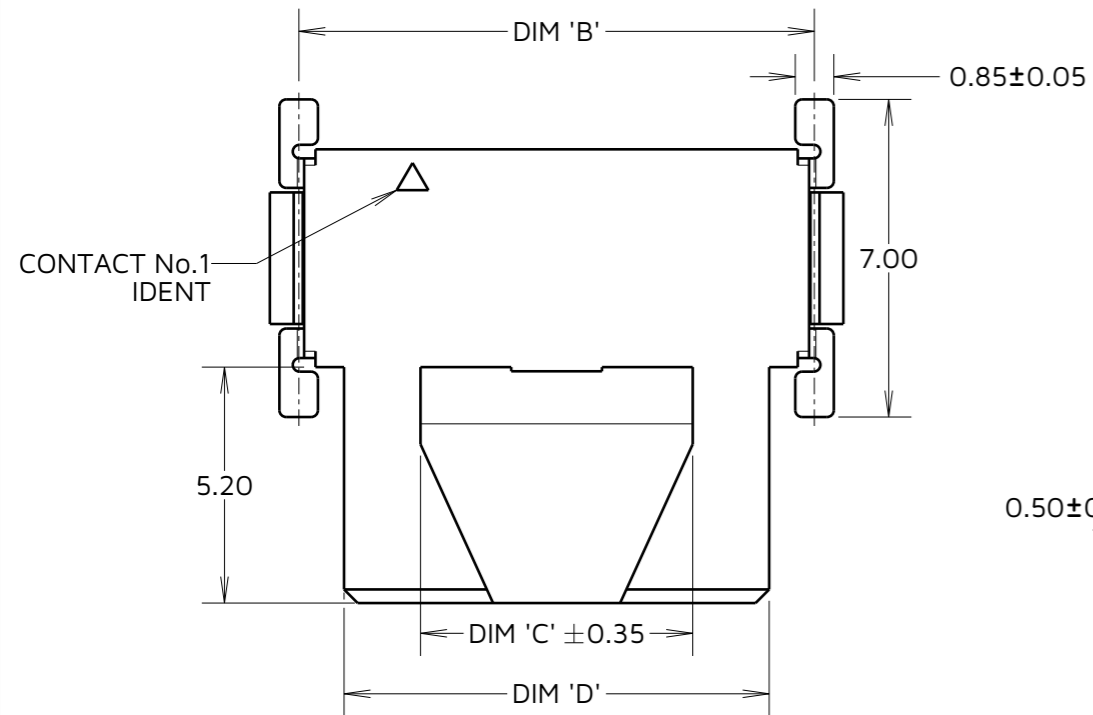
IF IN DOUBT - ASK

©

NOT TO SCALE

THIRD ANGLE PROJECTION

ALL DIMENSIONS IN mm

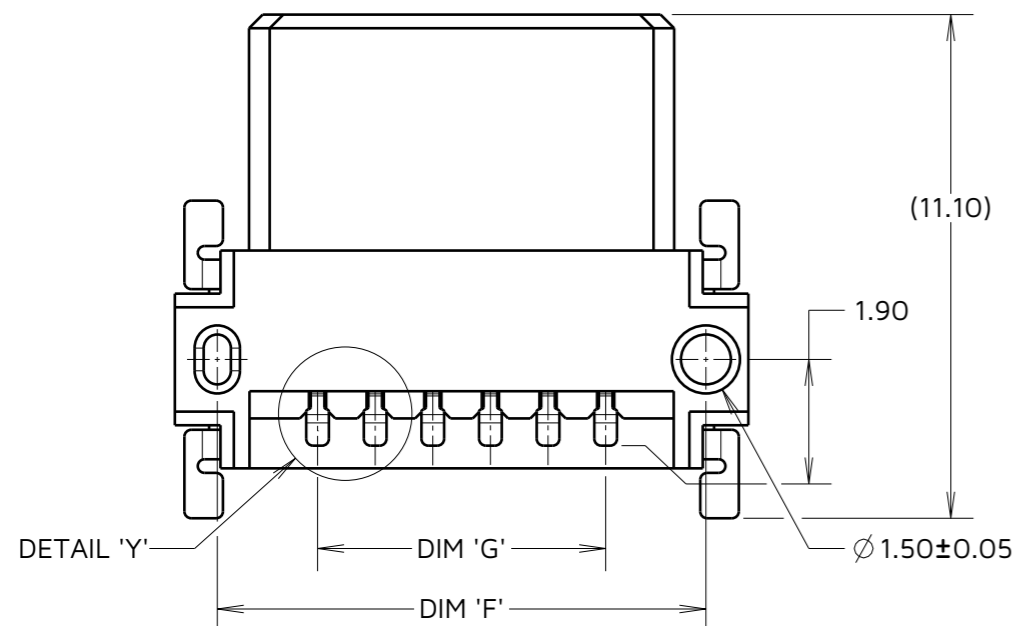
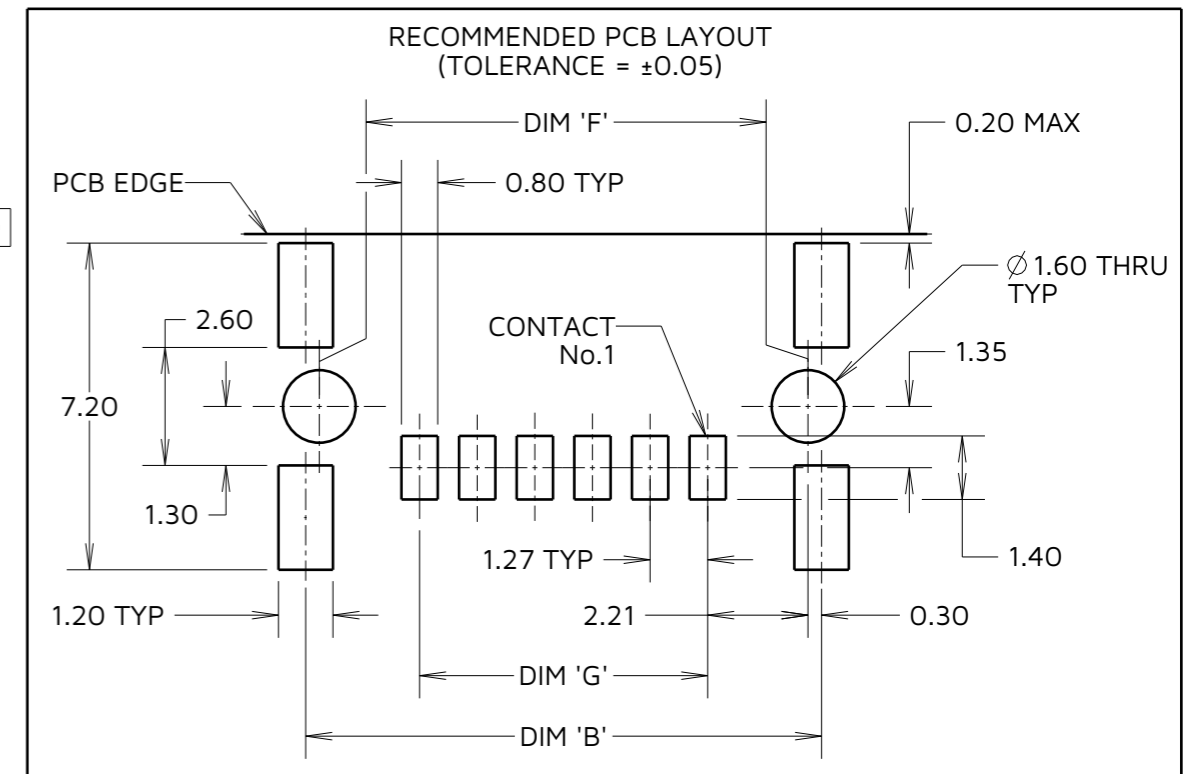
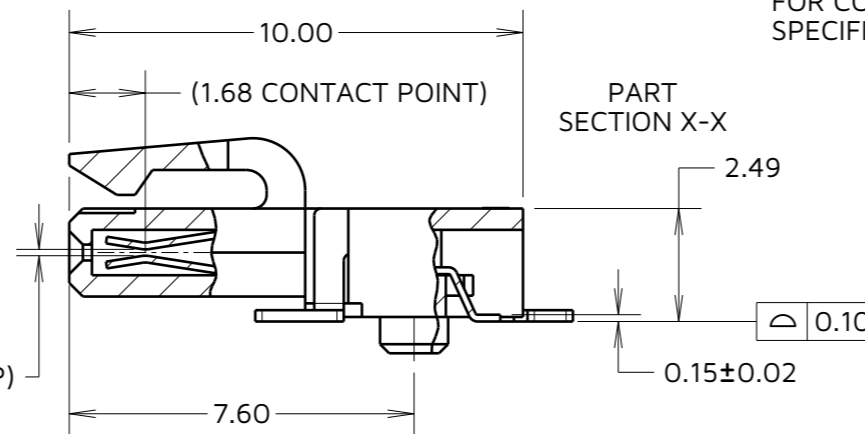
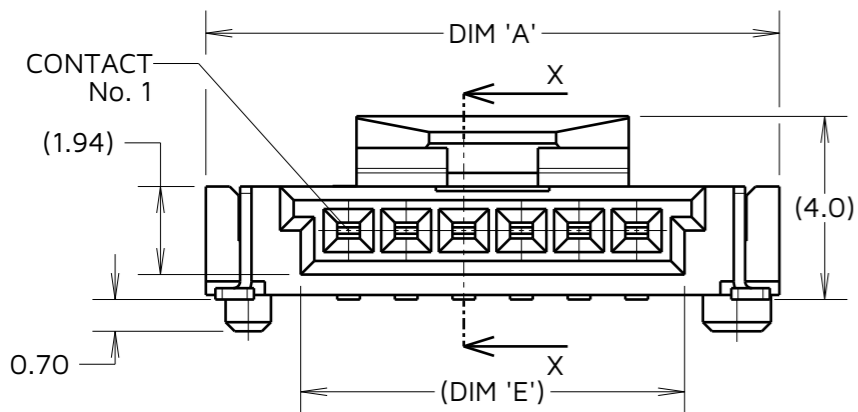


PART No.	DIM 'A'	DIM 'B'	DIM 'C'	DIM 'D'	(DIM 'E')	DIM 'F'	DIM 'G'
M55-2100242R	7.56	6.28	4.3	4.29	3.38	5.69	1.27
M55-2100342R	8.83	7.55	5.6	5.56	4.65	6.96	2.54
M55-2100442R	10.10	8.82	6.0	6.83	5.92	8.23	3.81
M55-2100642R	12.64	11.36	6.0	9.37	8.46	10.77	6.35
M55-2100842R	15.18	13.90	6.0	11.91	11.00	13.31	8.89
M55-2101042R	17.72	16.44	6.0	14.45	13.54	15.85	11.43
M55-2101242R	20.26	18.97	6.0	16.99	16.08	18.39	13.97

**SPECIFICATIONS:**  
**MATERIAL:**  
 HOUSING = HIGH TEMP, PPA, UL94V-0  
 CONTACT = COPPER ALLOY  
 RETAINING STRAP = BRASS  
**PLATING:**  
 CONTACT = GOLD OVER NICKEL ON CONTACT AREA,  
 TIN OVER NICKEL ON TAILS  
 RETAINING STRAP = TIN OVER NICKEL  
**PACKING:**  
 TAPE & REEL

**ORDER CODE:**  
**M55-210XX42R**  
 TOTAL No. OF CONTACTS  
 02, 03, 04, 06, 08, 10, 12

FOR COMPLETE SPECIFICATION, SEE COMPONENT SPECIFICATION C047XX (LATEST ISSUE)



**NOTES:**  
 1. FOR TAPE AND REEL DETAILS SEE SHEET 4.  
 2. ALL TOLERANCES ARE ±0.20, UNLESS OTHERWISE STATED.

**HARWIN**

www.harwin.com

**TOLERANCES**  
 X = ±1mm  
 X.X = ±0.50mm  
 X.XX = ±0.20mm  
 X.XXX = ±0.01mm  
 ANGLES = ±5°  
 UNLESS STATED

THIS DRAWING AND ANY INFORMATION OR DESCRIPTIVE MATTER SET OUT HEREON ARE CONFIDENTIAL AND COPYRIGHT PROPERTY OF THE HARWIN GROUP AND MUST NOT BE DISCLOSED, LOANED, COPIED OR USED FOR MANUFACTURING, TENDERING OR FOR ANY OTHER PURPOSE WITHOUT THEIR WRITTEN PERMISSION.

**MATERIAL & FINISH:**  
 SEE ABOVE

**TITLE:** KONTROL 1.27mm PITCH HORIZONTAL FEMALE SIL ASSEMBLY

**DRAWING NUMBER:**  
**M55-210XX42R**

RA	1	21.10.24	34909
NAME	ISS.	DATE	CN/CO
APPROVED:		A.BOXALL	
CHECKED:		A.YEOMANS	
DRAWN:		R.ALEXANDER	

SHT  
3  
OF  
4

# Customer Information Sheet

IF IN DOUBT - ASK

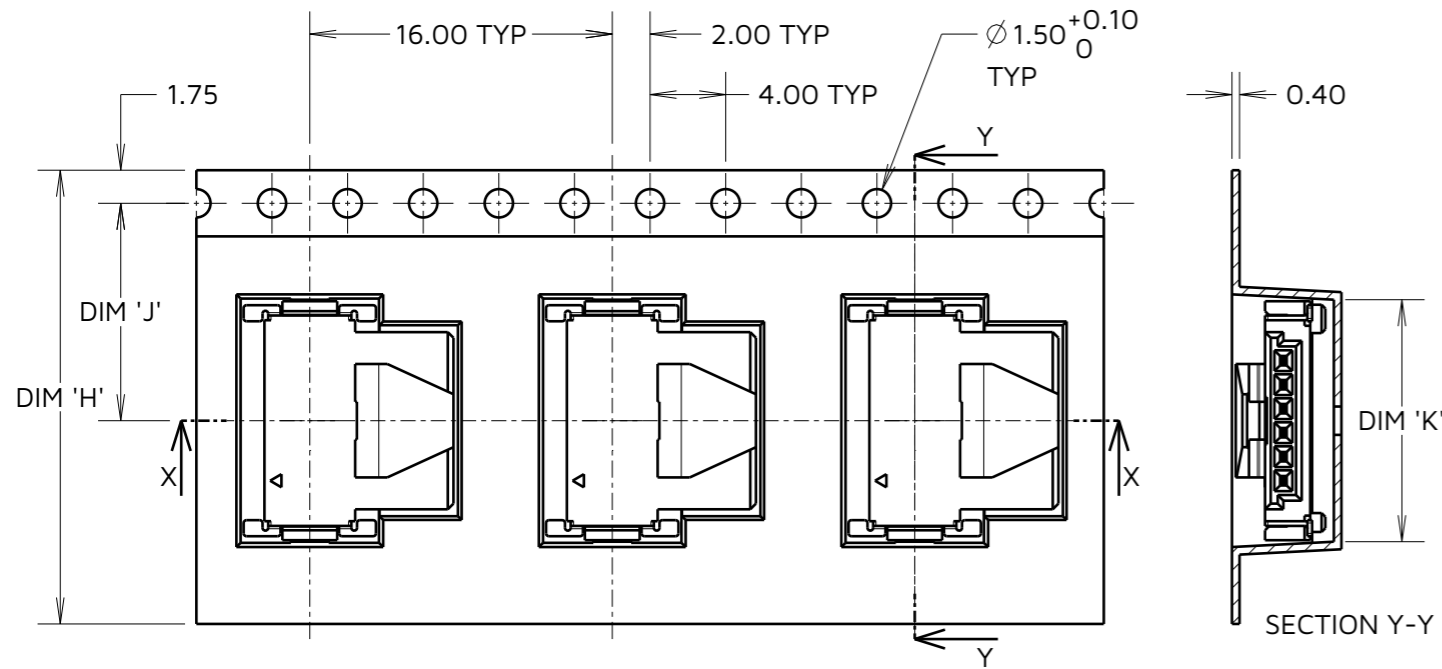
©

NOT TO SCALE

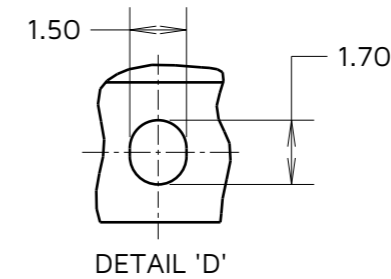
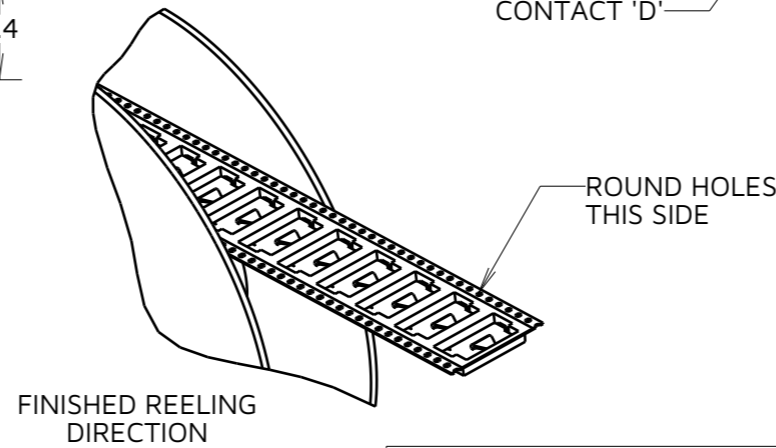
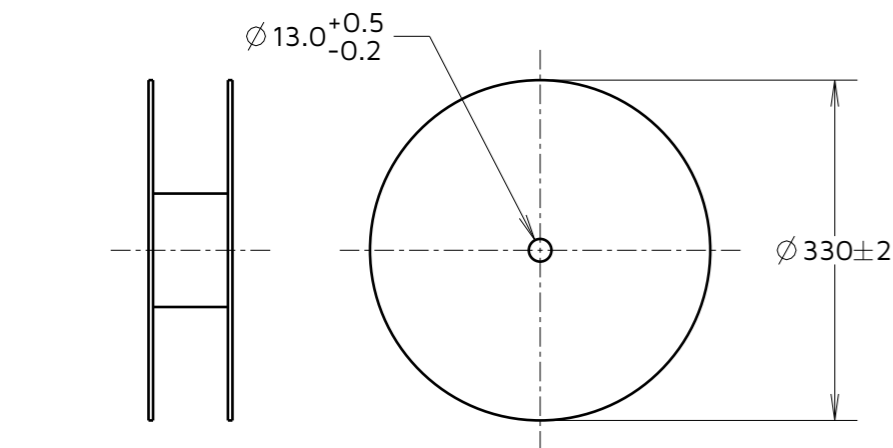
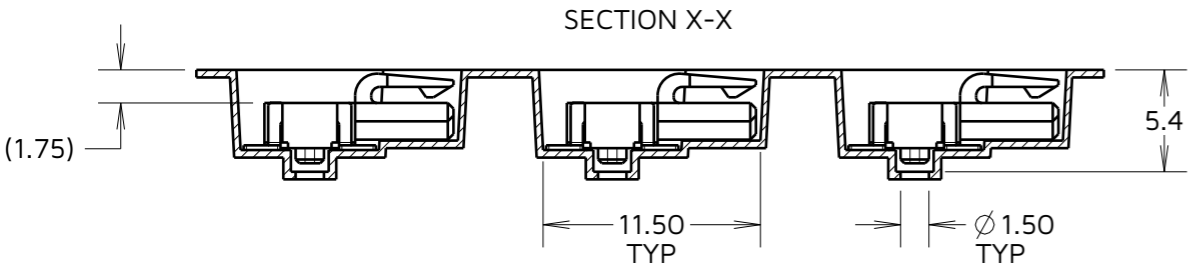
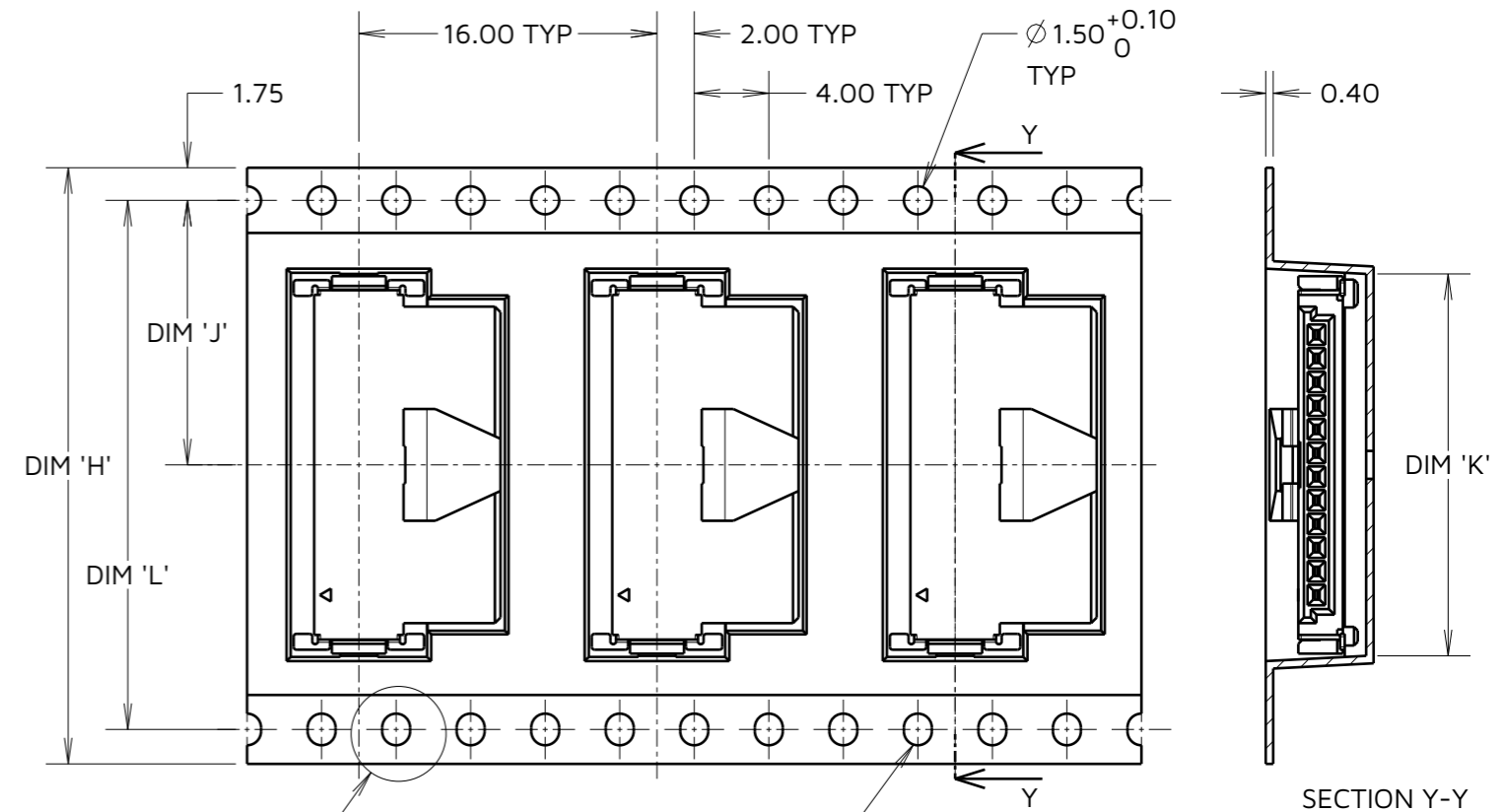
THIRD ANGLE PROJECTION

ALL DIMENSIONS IN mm

TAPE DETAILS FOR 2 TO 6 CONTACT CONNECTORS



TAPE DETAILS FOR 8 TO 12 CONTACT CONNECTORS



ORDER CODE:  
**M55-210XX42R**  
TOTAL No. OF CONTACTS  
02, 03, 04, 06, 08, 10, 12

TABLE 2: PACKING TAPE DETAILS

PART No.	DIMENSIONS				PACK QTY
	DIM 'H'	DIM 'J'	DIM 'K'	DIM 'L'	
M55-2100242R	24.00	11.50	7.8	-	750
M55-2100342R	24.00	11.50	9.8	-	750
M55-2100442R	24.00	11.50	11.1	-	750
M55-2100642R	24.00	11.50	12.8	-	750
M55-2100842R	32.00	14.20	16.2	28.40	750
M55-2101042R	32.00	14.20	18.7	28.40	750
M55-2101242R	32.00	14.20	20.5	28.40	750

RA	1	21.10.24	34909
NAME	ISS.	DATE	CN/CO
APPROVED:		A.BOXALL	
CHECKED:		A.YEOMANS	
DRAWN:		R.ALEXANDER	

NOTES:  
3. PRODUCT TAPE AND REELED IN GENERAL ACCORDANCE WITH EIA-481 (ELECTRICAL INDUSTRIES ASSOCIATION).  
4. FOR COMPONENT LEVEL DETAILS SEE SHEET 3.

**HARWIN**  
www.harwin.com

TOLERANCES  
X. =  $\pm 1$ mm  
X.X =  $\pm 0.50$ mm  
X.XX =  $\pm 0.20$ mm  
X.XXX =  $\pm 0.01$ mm  
ANGLES =  $\pm 5^\circ$   
UNLESS STATED

THIS DRAWING AND ANY INFORMATION OR DESCRIPTIVE MATTER SET OUT HEREON ARE CONFIDENTIAL AND COPYRIGHT PROPERTY OF THE HARWIN GROUP AND MUST NOT BE DISCLOSED, LOANED, COPIED OR USED FOR MANUFACTURING, TENDERING OR FOR ANY OTHER PURPOSE WITHOUT THEIR WRITTEN PERMISSION.

MATERIAL & FINISH:  
SEE SHEET 3

TITLE: KONTROL 1.27mm PITCH HORIZONTAL FEMALE SIL ASSEMBLY

DRAWING NUMBER:  
**M55-210XX42R**

SHT  
4 OF  
4