

Customer Information Sheet

IF IN DOUBT - ASK

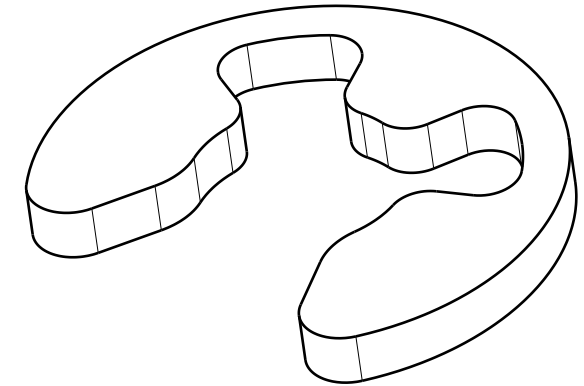
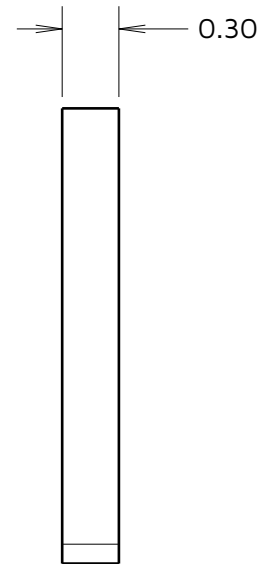
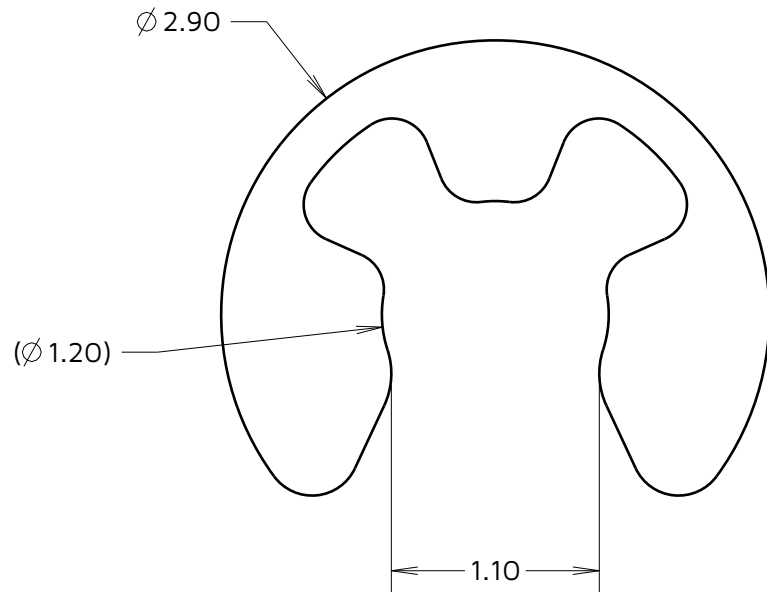


NOT TO SCALE

THIRD ANGLE PROJECTION

ALL DIMENSIONS IN mm

SPECIFICATION:
MATERIAL: STAINLESS STEEL
PACKING: BAG



- NOTES:
1. USE WITH SPARE JACKSCREWS M80-2140000B OR M80-2180000B.
2. SEE INSTRUCTION SHEET IS-42 FOR ASSEMBLY USING E-CLIP TOOL Z80-300.

MJ	5	10.04.25	35810
NAME	ISS.	DATE	CN/CO
APPROVED:		M. JELLEY	
CHECKED:		J. DEAN	
DRAWN:		W. J. BOURNE	

HARWIN

www.harwin.com

TOLERANCES
X. = ±1mm
X.X = ±0.50mm
X.XX = ±0.20mm
X.XXX = ±0.01mm
ANGLES = ±5°
UNLESS STATED

THIS DRAWING AND ANY INFORMATION OR DESCRIPTIVE MATTER SET OUT HEREON ARE CONFIDENTIAL AND COPYRIGHT PROPERTY OF THE HARWIN GROUP AND MUST NOT BE DISCLOSED, LOANED, COPIED OR USED FOR MANUFACTURING, TENDERING OR FOR ANY OTHER PURPOSE WITHOUT THEIR WRITTEN PERMISSION.

MATERIAL & FINISH:

SEE ABOVE

TITLE:

**DATAMATE J-TEK
CIRCLIP**

DRAWING NUMBER:

M80-2150000

SHT
2
OF
2