

# Customer Information Sheet

IF IN DOUBT - ASK

©

NOT TO SCALE

THIRD ANGLE PROJECTION

ALL DIMENSIONS IN mm

**SPECIFICATIONS:**

**MATERIAL:**

MOULDING: GLASS FILLED PPS, UL94V-0, BLACK

**SIGNAL CONTACT:**

CLIP = BERYLIUM COPPER

SHELL = COPPER ALLOY

POWER CONTACT: COPPER ALLOY

JACKSCREW, CIRCLIP: STAINLESS STEEL

**FINISH:**

**SIGNAL CONTACT:**

CLIP = 0.3µm GOLD OVER NICKEL

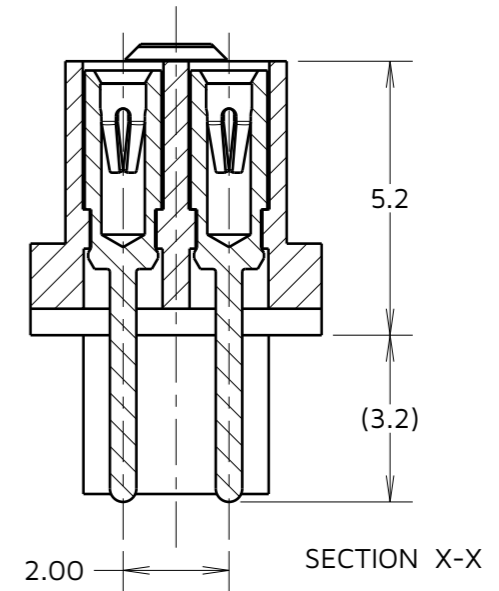
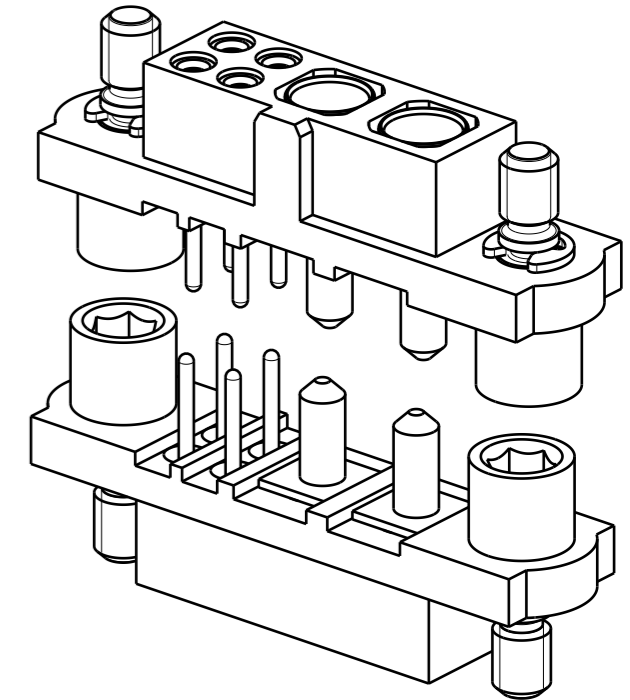
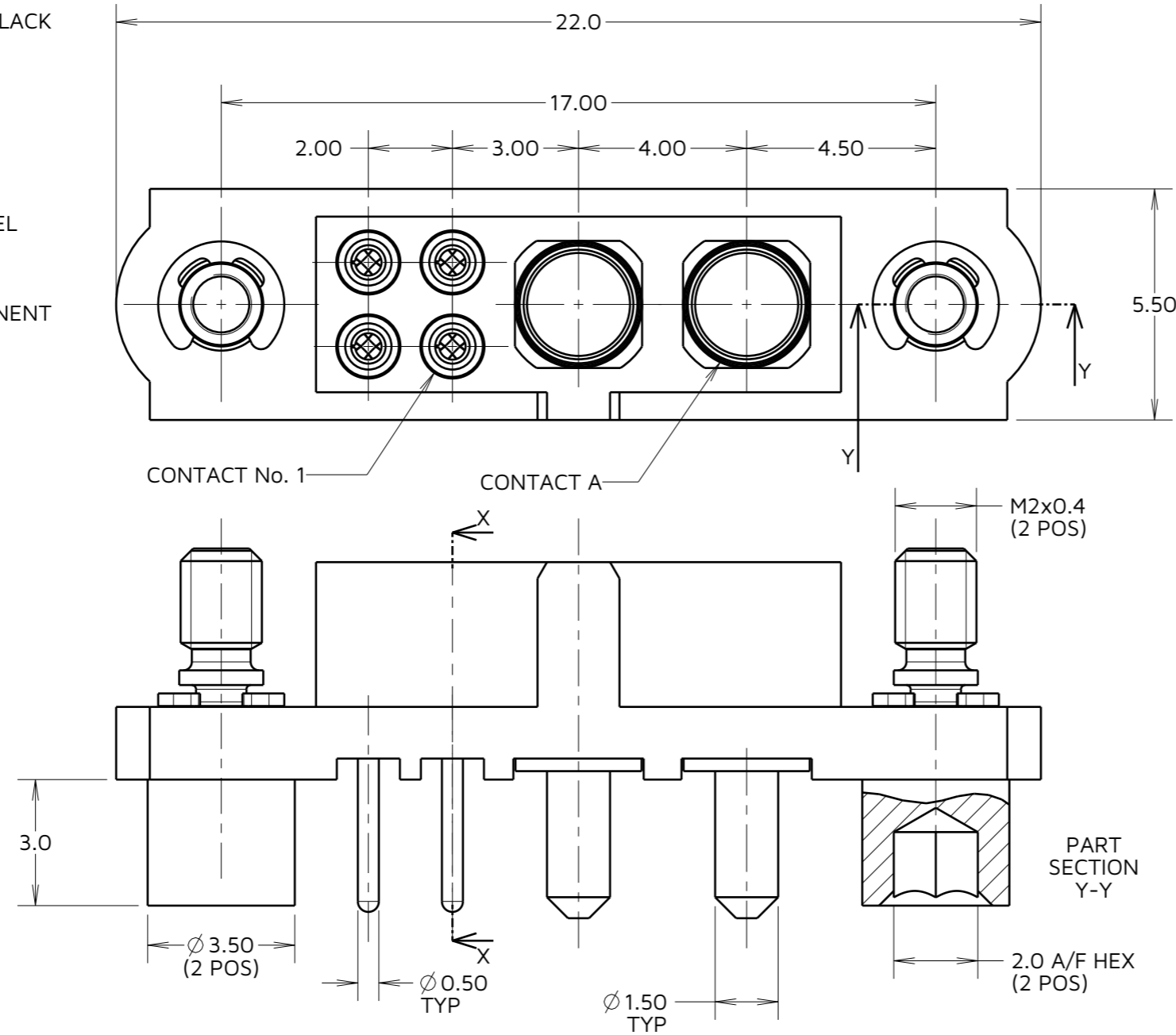
SHELL = 0.25µm-0.3µm GOLD OVER NICKEL

POWER CONTACT: GOLD OVER NICKEL

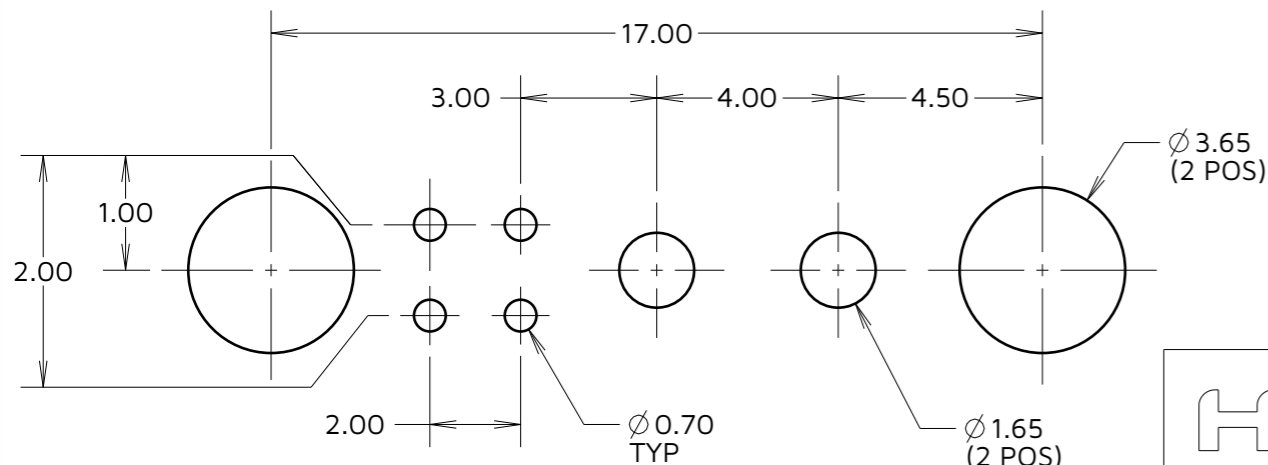
**PACKING:**

TUBE

FOR COMPLETE SPECIFICATION SEE COMPONENT SPECIFICATION C005XX (LATEST ISSUE)



RECOMMENDED PCB LAYOUT  
TOLERANCES ±0.05 (UNLESS OTHERWISE STATED)



**HARWIN**

www.harwin.com

**TOLERANCES**

X. = ±1mm  
X.X = ±0.50mm  
X.XX = ±0.20mm  
X.XXX = ±0.01mm  
ANGLES = ±5°  
UNLESS STATED

THIS DRAWING AND ANY INFORMATION OR DESCRIPTIVE MATTER SET OUT HEREON ARE CONFIDENTIAL AND COPYRIGHT PROPERTY OF THE HARWIN GROUP AND MUST NOT BE DISCLOSED, LOANED, COPIED OR USED FOR MANUFACTURING, TENDERING OR FOR ANY OTHER PURPOSE WITHOUT THEIR WRITTEN PERMISSION.

**MATERIAL:**

SEE ABOVE

**TITLE:** DATAMATE MIX-TEK  
FEMALE VERTICAL PC TAIL  
JACKSCREW ASSEMBLY

**DRAWING NUMBER:** M80-4T10405F2-02-321-00-000

AY	2	08.07.24	34371
NAME	ISS.	DATE	CN/CO
APPROVED:		A.YEOMANS	
CHECKED:		R.PORTLOCK	
DRAWN:		M.G.PLESTED	
ASSEMBLY DRG:			