

# Customer Information Sheet

IF IN DOUBT - ASK

©

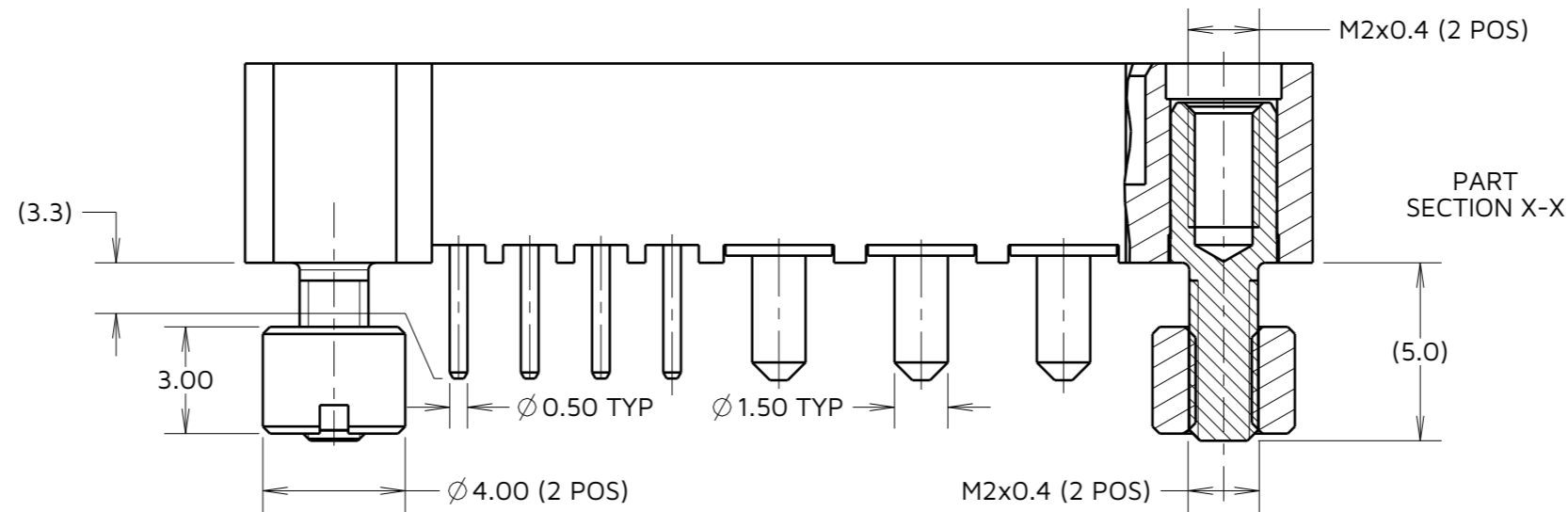
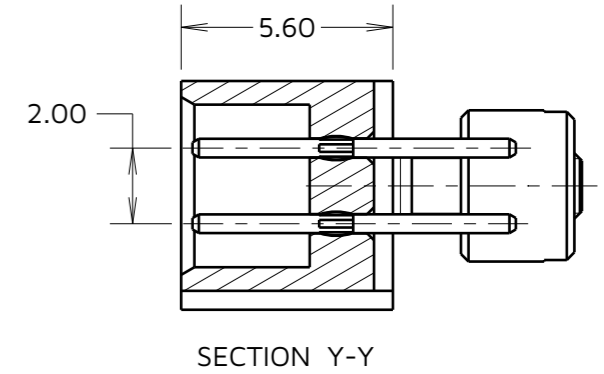
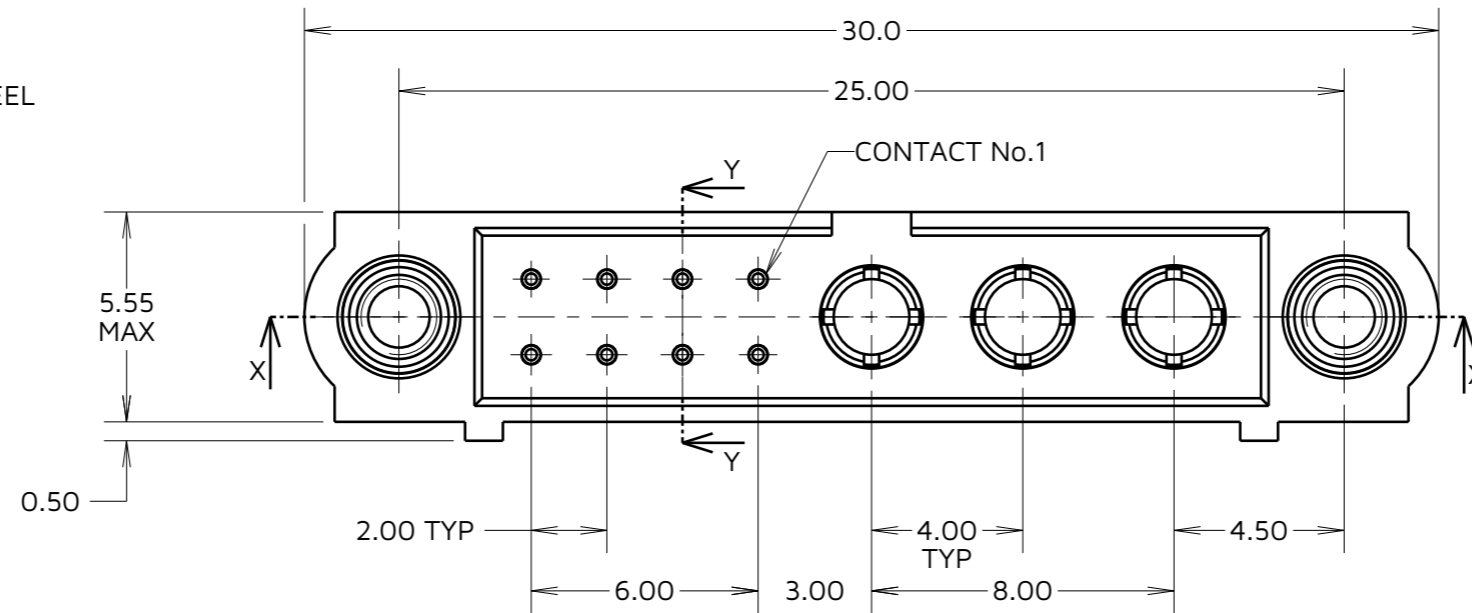
NOT TO SCALE

THIRD ANGLE PROJECTION

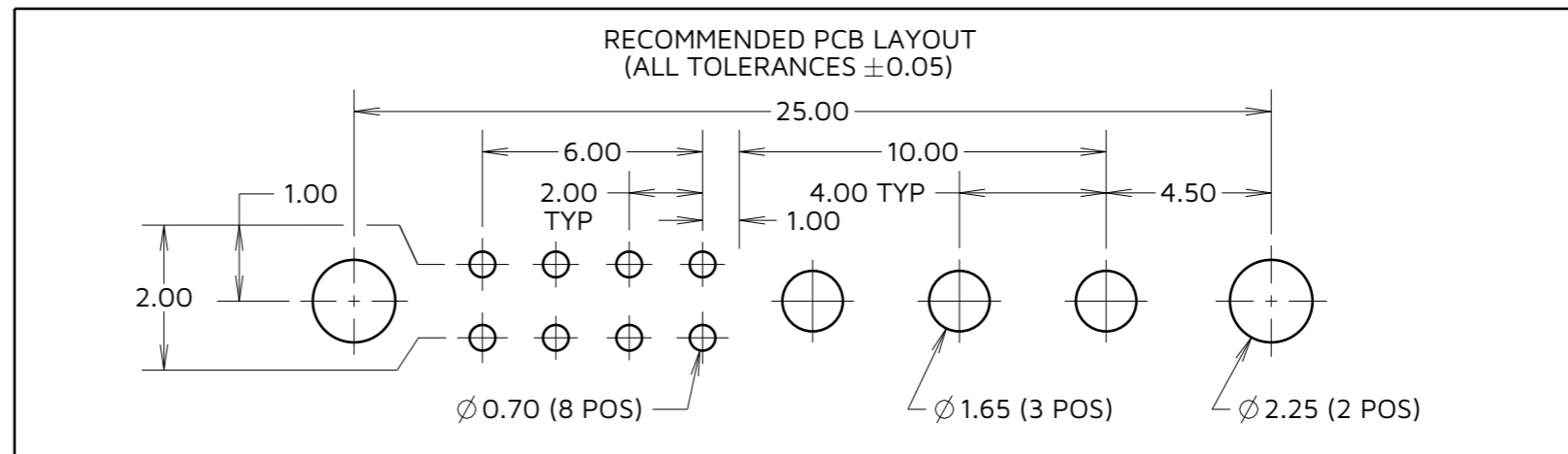
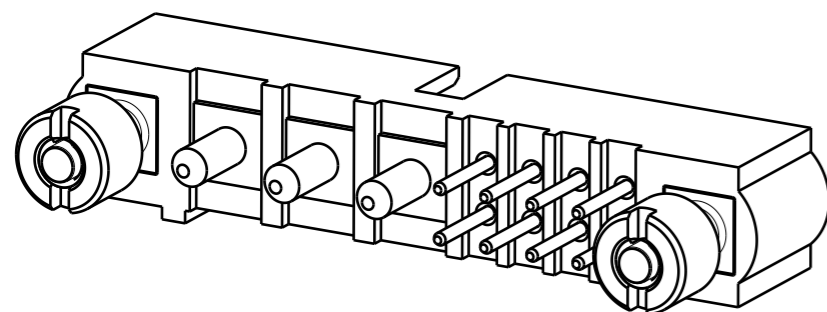
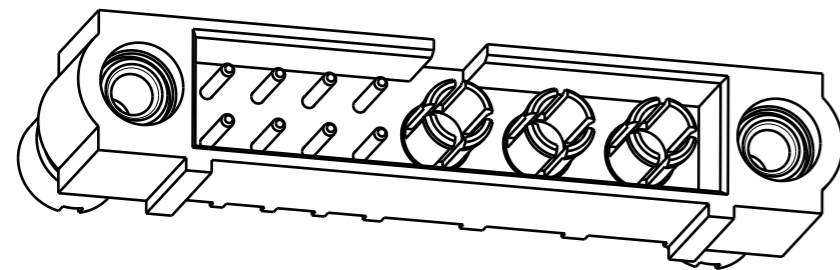
ALL DIMENSIONS IN mm

## SPECIFICATIONS:

MATERIAL:  
 MOULDING: GLASS FILLED PPS, UL94 V-0, BLACK  
 SIGNAL CONTACT: PHOSPHOR BRONZE  
 POWER CONTACT: COPPER ALLOY  
 BOARD-MOUNT JACKSCREW, NUT: STAINLESS STEEL  
 FINISH:  
 SIGNAL CONTACT: GOLD  
 POWER CONTACT: GOLD OVER NICKEL  
 PACKING:  
 TUBE  
 FOR COMPLETE SPECIFICATION SEE COMPONENT SPECIFICATION C005XX (LATEST ISSUE)



NOTE:  
 1. CONNECTORS ARE SUPPLIED IN TUBES WITH NUTS LOOSE.



RTP	1	12.08.24	34558
NAME	ISS.	DATE	CN/CO
APPROVED: R.PORTLOCK			
CHECKED: A.BOXALL			
DRAWN: R.PORTLOCK			
ASSEMBLY DRG:			

**HARWIN**

www.harwin.com

TOLERANCES  
 X. = ±1mm  
 X.X = ±0.50mm  
 X.XX = ±0.20mm  
 X.XXX = ±0.01mm  
 ANGLES = ±5°  
 UNLESS STATED

THIS DRAWING AND ANY INFORMATION OR DESCRIPTIVE MATTER SET OUT HEREON ARE CONFIDENTIAL AND COPYRIGHT PROPERTY OF THE HARWIN GROUP AND MUST NOT BE DISCLOSED, LOANED, COPIED OR USED FOR MANUFACTURING, TENDERING OR FOR ANY OTHER PURPOSE WITHOUT THEIR WRITTEN PERMISSION.

MATERIAL:  
 SEE ABOVE

TITLE: JACKSCREW DATAMATE MIXED TECHNOLOGY PC TAIL MALE ASSEMBLY

DRAWING NUMBER:  
 M80-5T10805M3-03-331-00-000

SHT  
 2 OF 2