

Customer Information Sheet

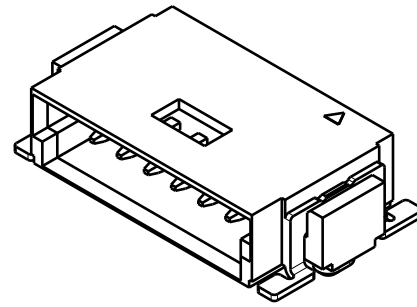
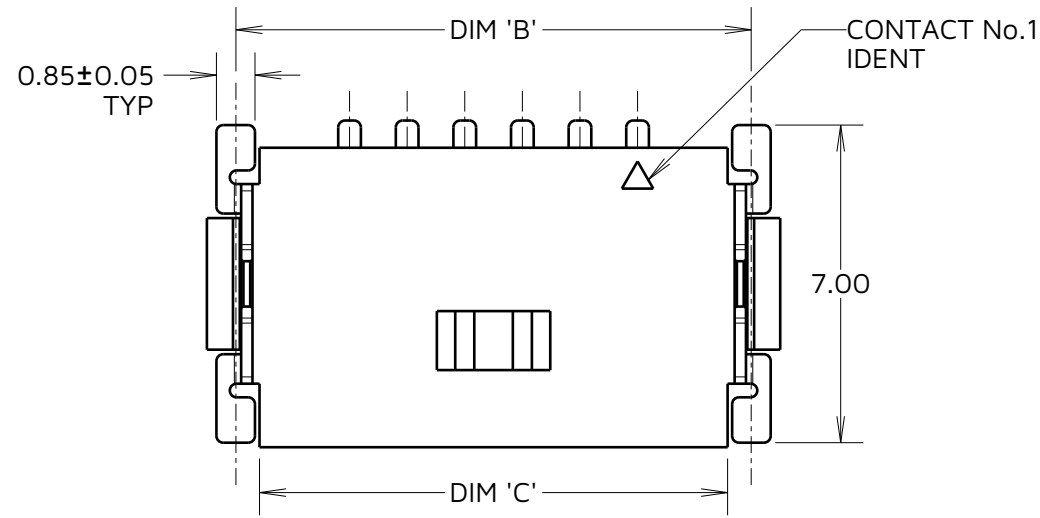
IF IN DOUBT - ASK

©

NOT TO SCALE

THIRD ANGLE PROJECTION

ALL DIMENSIONS IN mm



PART No.	DIM 'A'	DIM 'B'	DIM 'C'	(DIM 'D')	(DIM 'E')	DIM 'F'	DIM 'G'
M55-3100242R	7.56	6.28	5.24	4.41	3.50	5.69	1.27
M55-3100342R	8.83	7.56	6.51	5.68	4.77	6.96	2.54
M55-3100442R	10.10	8.83	7.78	6.95	6.04	8.23	3.81
M55-3100642R	12.64	11.36	10.32	9.49	8.58	10.77	6.35
M55-3100842R	15.18	13.90	12.86	12.03	11.12	13.31	8.89
M55-3101042R	17.72	16.44	15.40	14.57	13.66	15.85	11.43
M55-3101242R	20.26	18.99	17.94	17.11	16.20	18.39	13.97

SPECIFICATIONS:

MATERIAL:

HOUSING = HIGH TEMP, PA9T, UL94V-0

CONTACT = COPPER ALLOY

RETAINING STRAP = BRASS

PLATING:

CONTACT = GOLD OVER NICKEL ON CONTACT AREA,

TIN OVER NICKEL ON TAILS

RETAINING STRAP = TIN OVER NICKEL

PACKING:

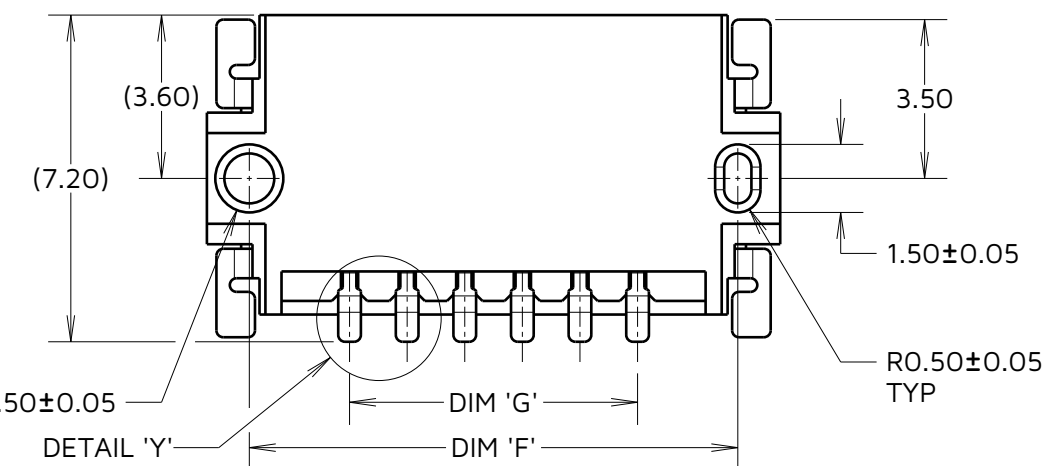
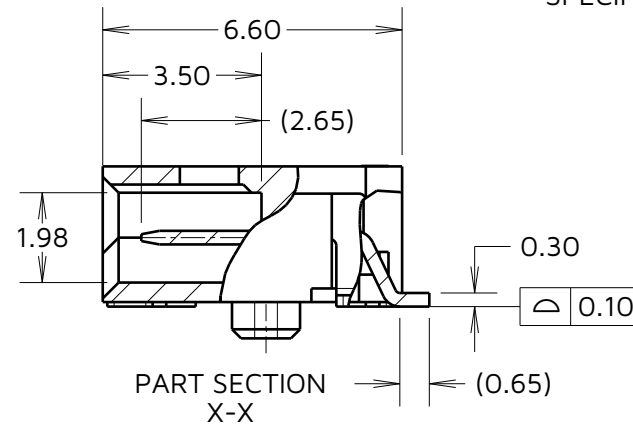
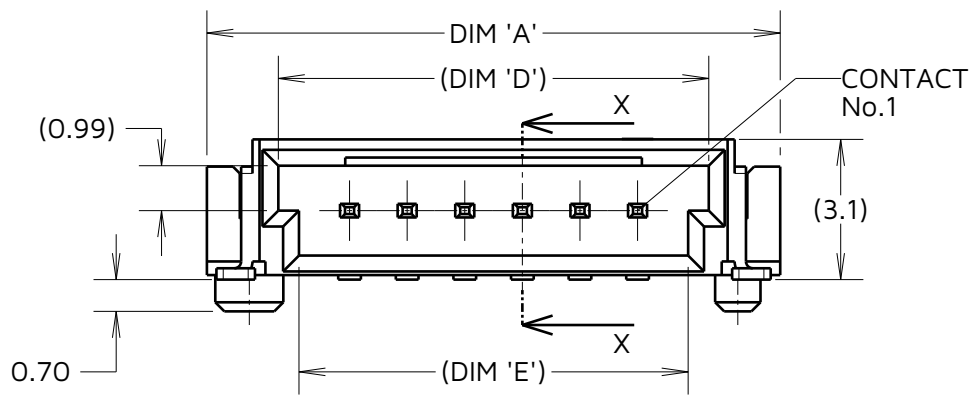
TAPE & REEL

ORDER CODE:

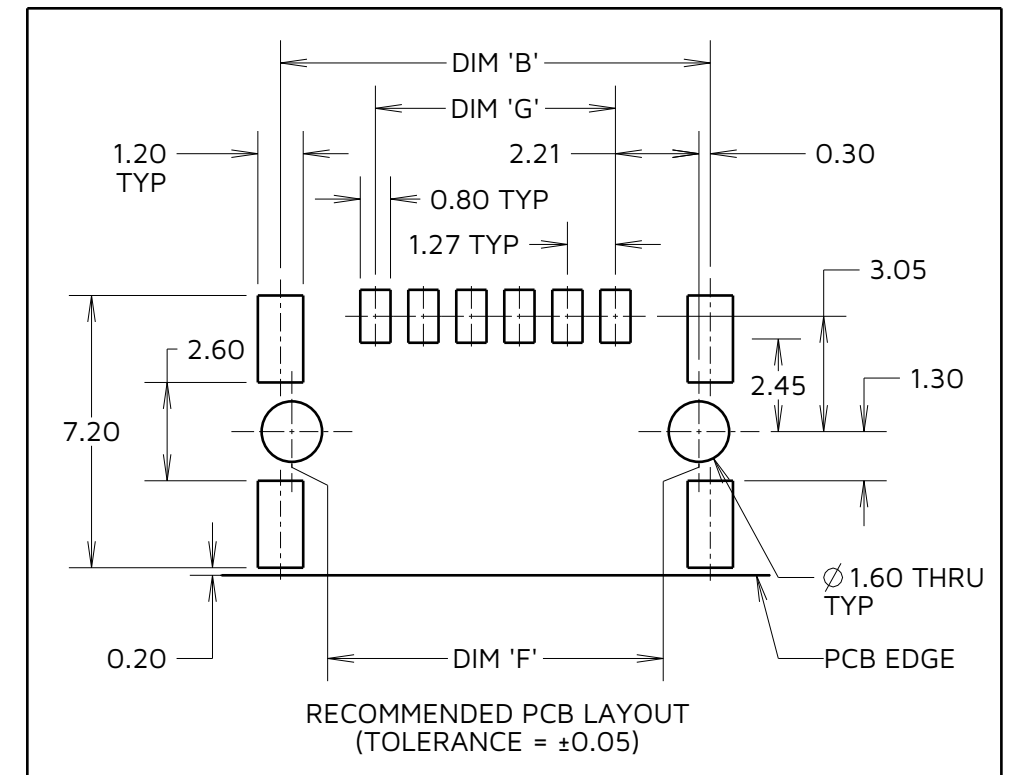
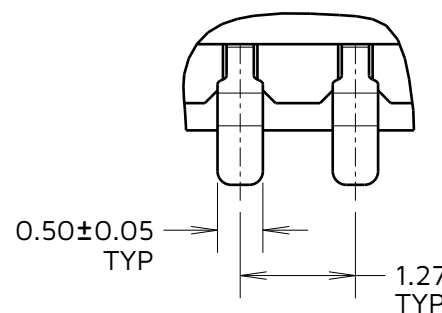
M55-310XX42R

TOTAL No. OF CONTACTS
02, 03, 04, 06, 08, 10, 12

FOR COMPLETE SPECIFICATION, SEE COMPONENT SPECIFICATION C047XX (LATEST ISSUE)



DETAIL 'Y'



NOTES:

1. FOR TAPE AND REEL DETAILS SEE SHEET 4.
2. ALL TOLERANCES ARE ±0.20, UNLESS OTHERWISE STATED.

HARWIN

www.harwin.com

TOLERANCES
X = ±1mm
X.X = ±0.50mm
X.XX = ±0.20mm
X.XXX = ±0.01mm
ANGLES = ±5°
UNLESS STATED

THIS DRAWING AND ANY INFORMATION OR DESCRIPTIVE MATTER SET OUT HEREON ARE CONFIDENTIAL AND COPYRIGHT PROPERTY OF THE HARWIN GROUP AND MUST NOT BE DISCLOSED, LOANED, COPIED OR USED FOR MANUFACTURING, TENDERING OR FOR ANY OTHER PURPOSE WITHOUT THEIR WRITTEN PERMISSION.

MATERIAL & FINISH:
SEE ABOVE

TITLE: KONTROL 1.27mm PITCH HORIZONTAL MALE SIL ASSEMBLY

DRAWING NUMBER: M55-310XX42R

RA	1	21.10.24	34909
NAME	ISS.	DATE	CN/CO
APPROVED:		A.BOXALL	
CHECKED:		A.YEOMANS	
DRAWN:		R.ALEXANDER	

Customer Information Sheet

IF IN DOUBT - ASK

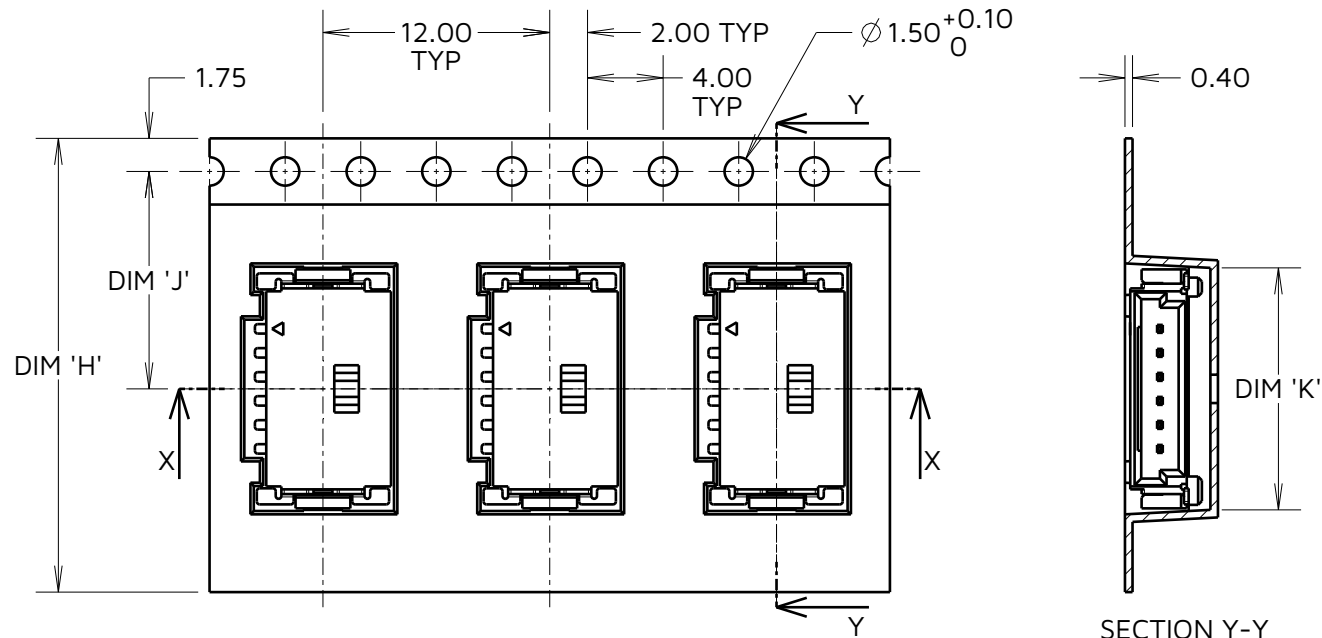
©

NOT TO SCALE

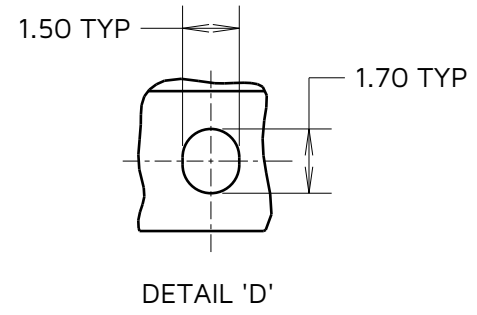
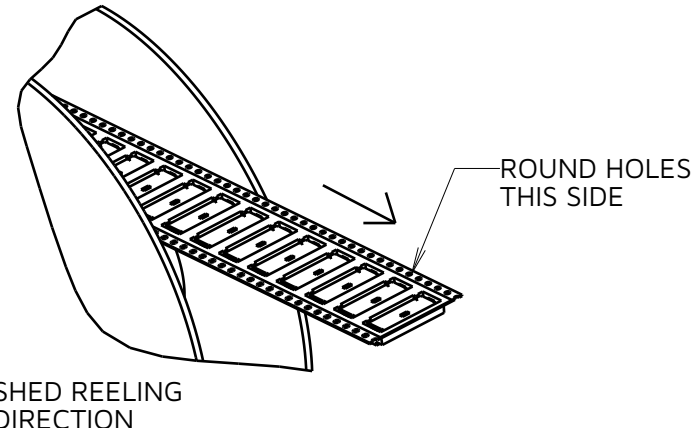
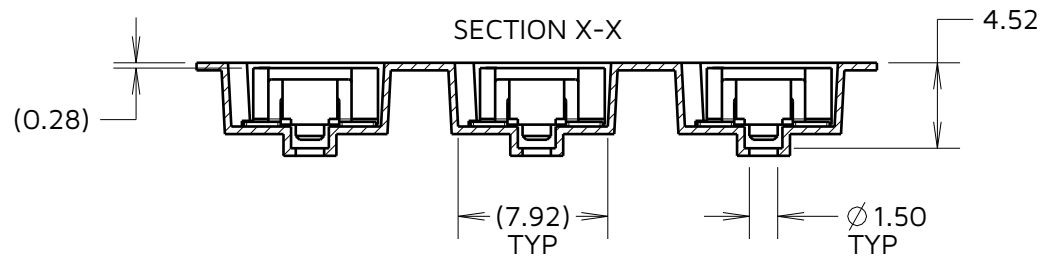
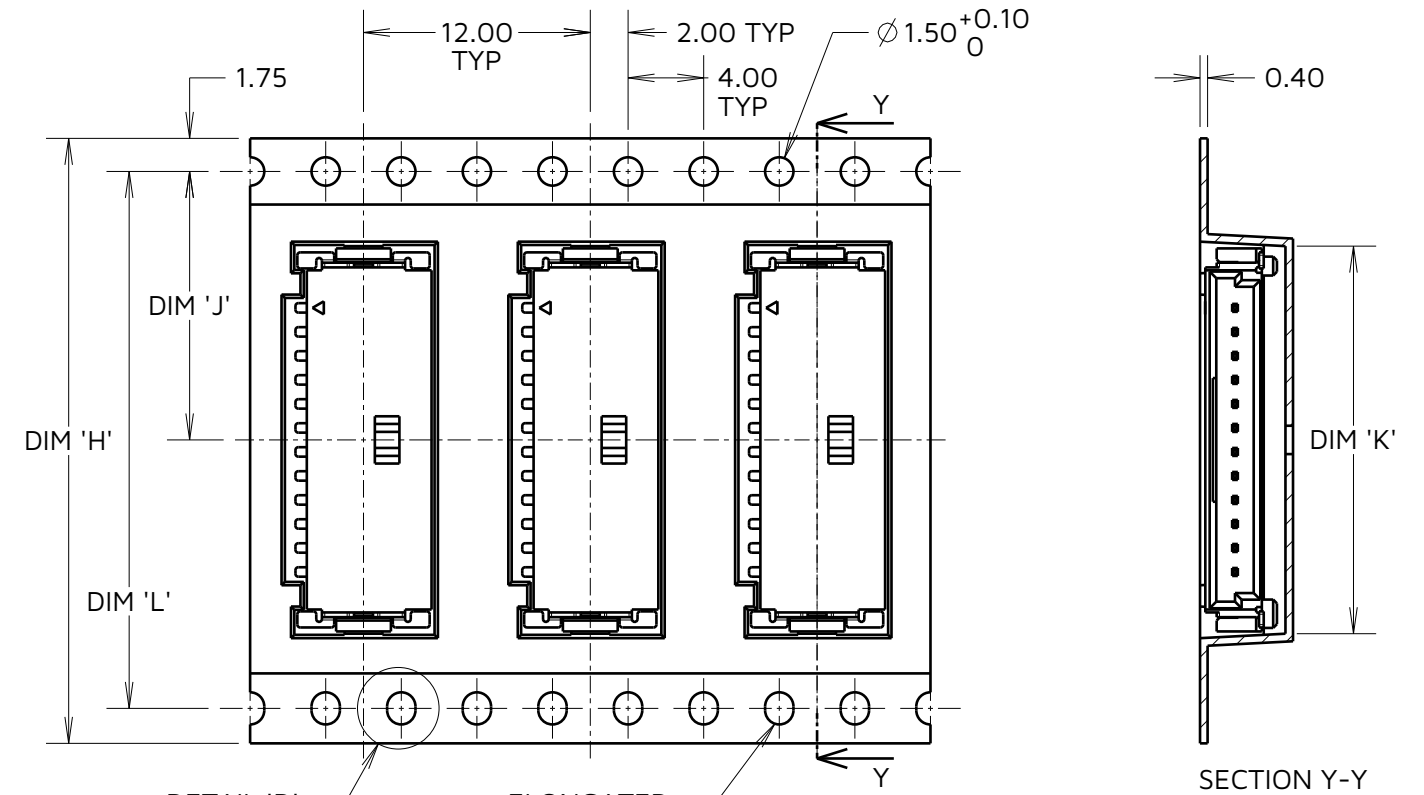
THIRD ANGLE PROJECTION

ALL DIMENSIONS IN mm

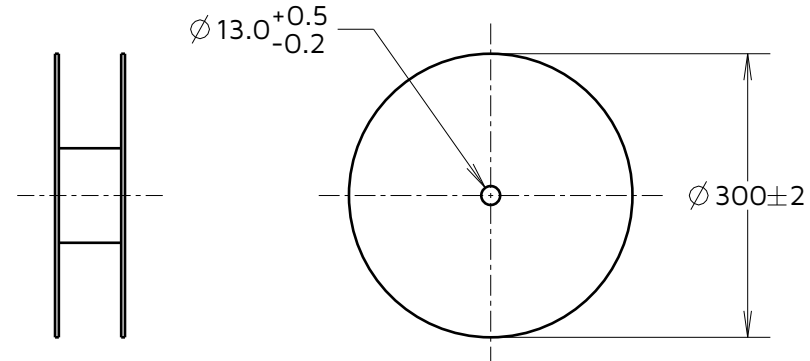
TAPE DETAILS FOR 2 TO 6 CONTACT CONNECTORS



TAPE DETAILS FOR 8 TO 12 CONTACT CONNECTORS



ORDER CODE:
M55-310XX42R
TOTAL No. OF CONTACTS
02, 03, 04, 06, 08, 10, 12



PART No.	DIMENSIONS				PACK QTY
	DIM 'H'	DIM 'J'	DIM 'K'	DIM 'L'	
M55-3100242R	24.00	11.50	7.8	-	1000
M55-3100342R	24.00	11.50	9.8	-	1000
M55-3100442R	24.00	11.50	11.1	-	1000
M55-3100642R	24.00	11.50	12.8	-	1000
M55-3100842R	32.00	14.20	16.2	28.40	1000
M55-3101042R	32.00	14.20	18.7	28.40	1000
M55-3101242R	32.00	14.20	20.5	28.40	1000

RA	1	21.10.24	34909
NAME	ISS.	DATE	CN/CO
APPROVED:		A.BOXALL	
CHECKED:		A.YEOMANS	
DRAWN:		R.ALEXANDER	

NOTES:
3. PRODUCT TAPE AND REELED IN GENERAL ACCORDANCE WITH EIA-481 (ELECTRICAL INDUSTRIES ASSOCIATION).
4. FOR COMPONENT LEVEL DETAILS SEE SHEET 3.



TOLERANCES
X. = ±1mm
X.X = ±0.50mm
X.XX = ±0.20mm
X.XXX = ±0.01mm
ANGLES = ±5°
UNLESS STATED

THIS DRAWING AND ANY INFORMATION OR DESCRIPTIVE MATTER SET OUT HEREON ARE CONFIDENTIAL AND COPYRIGHT PROPERTY OF THE HARWIN GROUP AND MUST NOT BE DISCLOSED, LOANED, COPIED OR USED FOR MANUFACTURING, TENDERING OR FOR ANY OTHER PURPOSE WITHOUT THEIR WRITTEN PERMISSION.

MATERIAL & FINISH:
SEE SHEET 3

TITLE: **KONTROL 1.27mm PITCH HORIZONTAL MALE SIL ASSEMBLY**
DRAWING NUMBER: **M55-310XX42R**
SHT 4 OF 4