

Customer Information Sheet

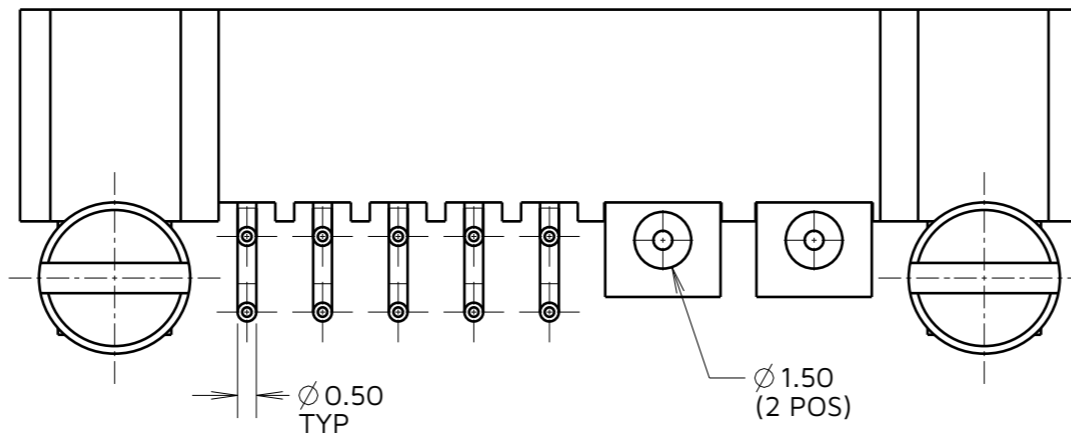
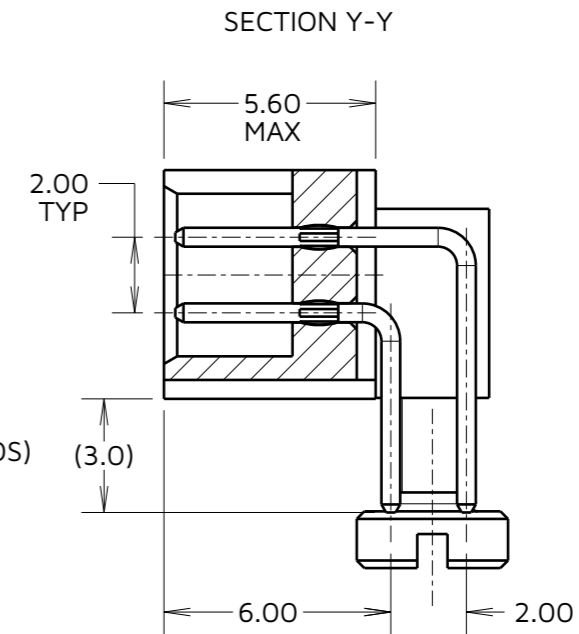
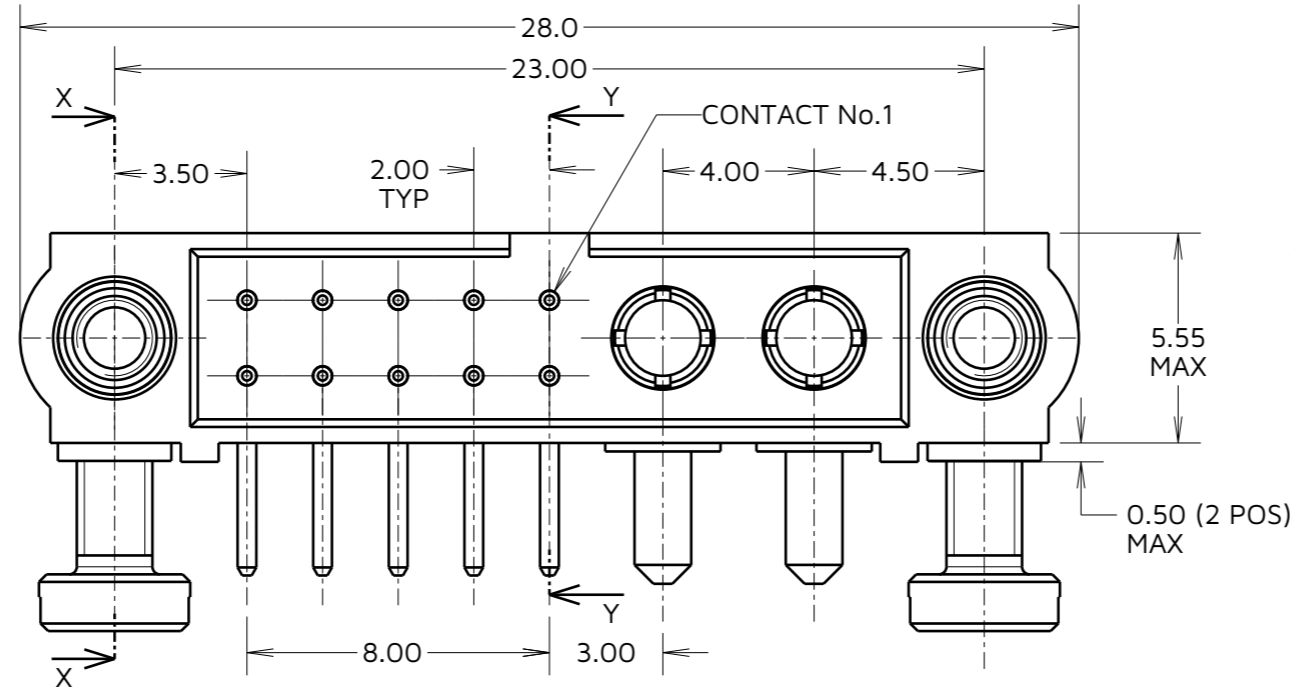
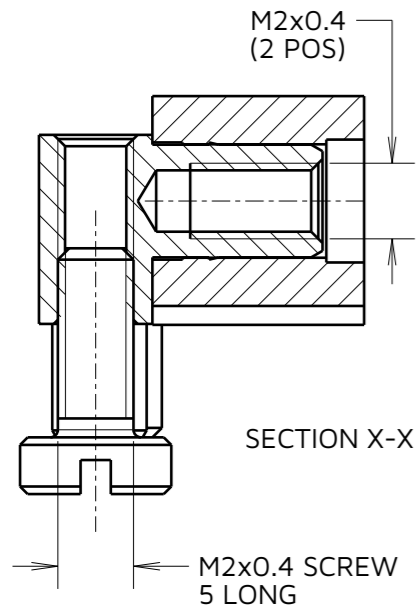
IF IN DOUBT - ASK

©

NOT TO SCALE

THIRD ANGLE PROJECTION

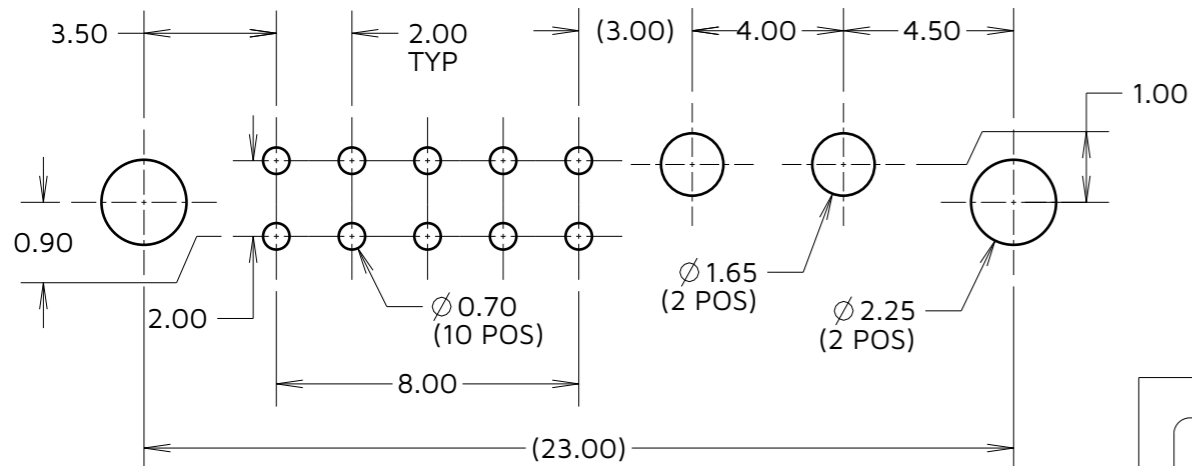
ALL DIMENSIONS IN mm



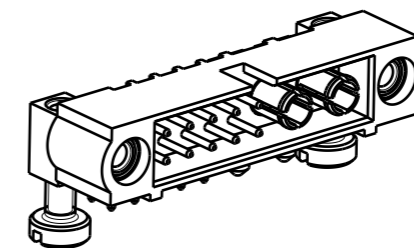
SPECIFICATIONS:

MATERIAL:
 MOULDING: GLASS FILLED PPS, UL94V-0, BLACK
 SIGNAL CONTACT: PHOSPHOR BRONZE
 POWER CONTACT: COPPER ALLOY
 BOARD-MOUNT JACKSCREW, SCREW: STAINLESS STEEL
FINISH:
 SIGNAL CONTACT:
 0.75µm GOLD ON CONTACT AREA,
 3µm 90/10 TIN/LEAD ON TAILS
 POWER CONTACT: GOLD
 FOR COMPLETE SPECIFICATION SEE COMPONENT SPECIFICATION C005XX (LATEST ISSUE)

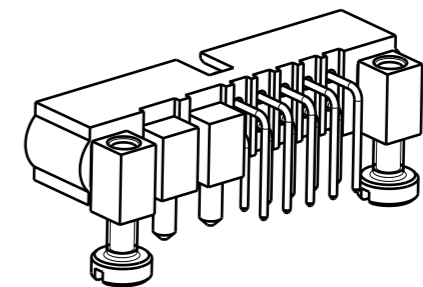
RECOMMENDED PCB LAYOUT (ALL TOLERANCES ±0.05 UNLESS OTHERWISE STATED)



- NOTES:**
 1. CONNECTORS ARE SUPPLIED WITH SCREWS LOOSE
 2. FOR COMPLETE SPECIFICATION SEE COMPONENT SPECIFICATION C005XX (LATEST ISSUE)



COMPLETE ASSEMBLY SHOWN FOR ILLUSTRATION ONLY.



AY	1	27.11.23	33377
NAME	ISS.	DATE	CN/CO
APPROVED: F.CHRISPINE			
CHECKED: R.PORTLOCK			
DRAWN: A.YEOMANS			
ASSEMBLY DRG:			

HARWIN

www.harwin.com

TOLERANCES
 X. = ±1mm
 X.X = ±0.50mm
 X.XX = ±0.20mm
 X.XXX = ±0.01mm
 ANGLES = ±5°
 UNLESS STATED

THIS DRAWING AND ANY INFORMATION OR DESCRIPTIVE MATTER SET OUT HEREON ARE CONFIDENTIAL AND COPYRIGHT PROPERTY OF THE HARWIN GROUP AND MUST NOT BE DISCLOSED, LOANED, COPIED OR USED FOR MANUFACTURING, TENDERING OR FOR ANY OTHER PURPOSE WITHOUT THEIR WRITTEN PERMISSION.

MATERIAL:
 SEE ABOVE

TITLE:
 JACKSCREW DATAMATE
 MIX-TEK HORIZONTAL
 PC TAIL MALE ASSEMBLY

DRAWING NUMBER:
 M80-5L11022M5-02-333-00-000

SHT
 2 OF 2