

# Customer Information Sheet

IF IN DOUBT - ASK

©

NOT TO SCALE

THIRD ANGLE PROJECTION

ALL DIMENSIONS IN mm

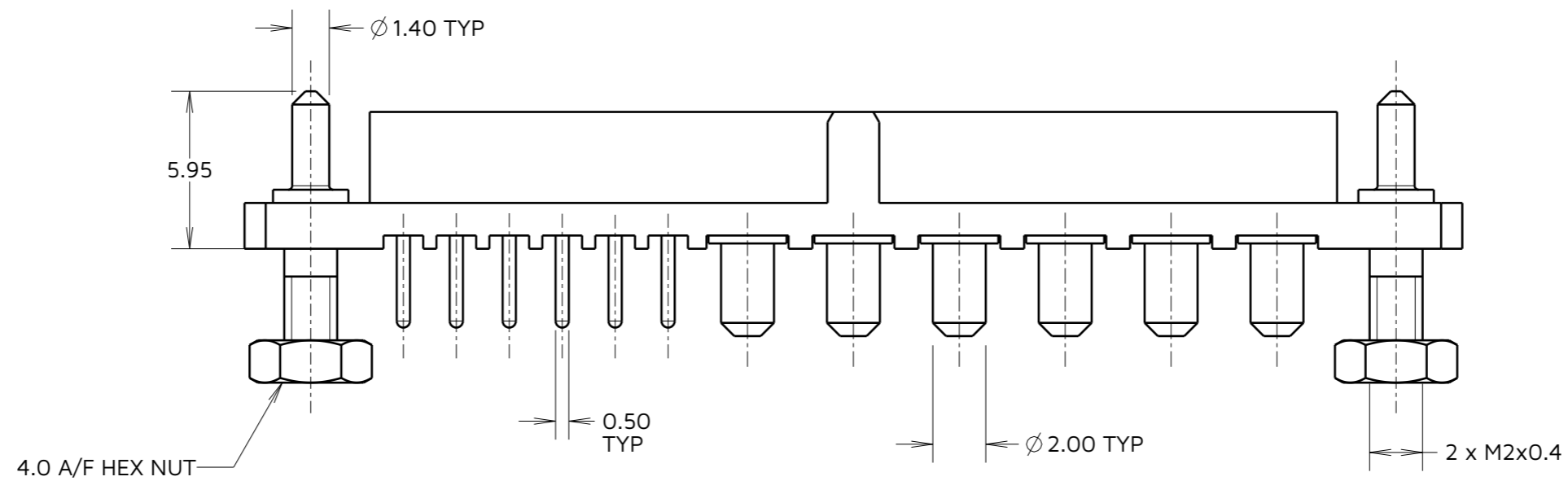
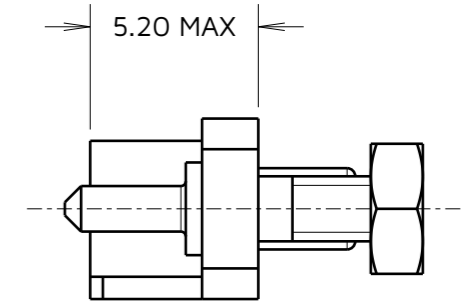
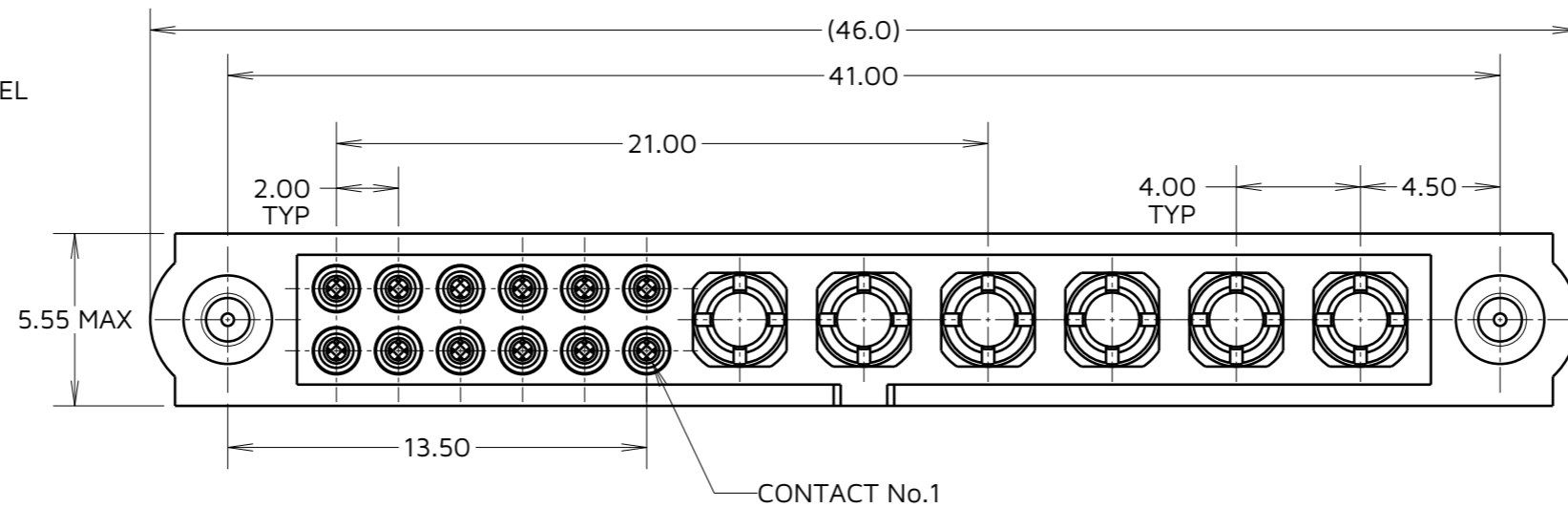
**SPECIFICATION:**

**MATERIAL:**  
 MOULDING: GLASS-FILLED PPS UL94V-0, BLACK  
 SIGNAL CONTACT: CLIP BeCu, SHELL BRASS  
 BOARD-MOUNT JACKSCREW, NUT: STAINLESS STEEL  
**FINISH:**  
 SIGNAL CONTACT: GOLD  
 POWER CONTACT: GOLD  
**PACKING:**  
 TUBE

FOR COMPLETE SPECIFICATION SEE COMPONENT SPECIFICATION C005XX (LATEST ISSUE).

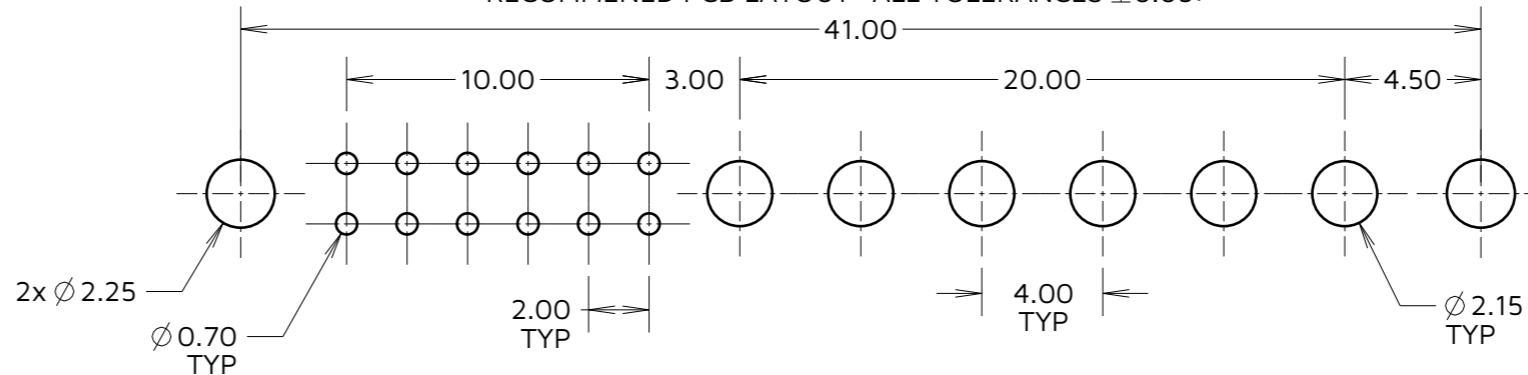
**NOTES:**

1. CONNECTORS ARE SUPPLIED WITH LOOSE NUTS

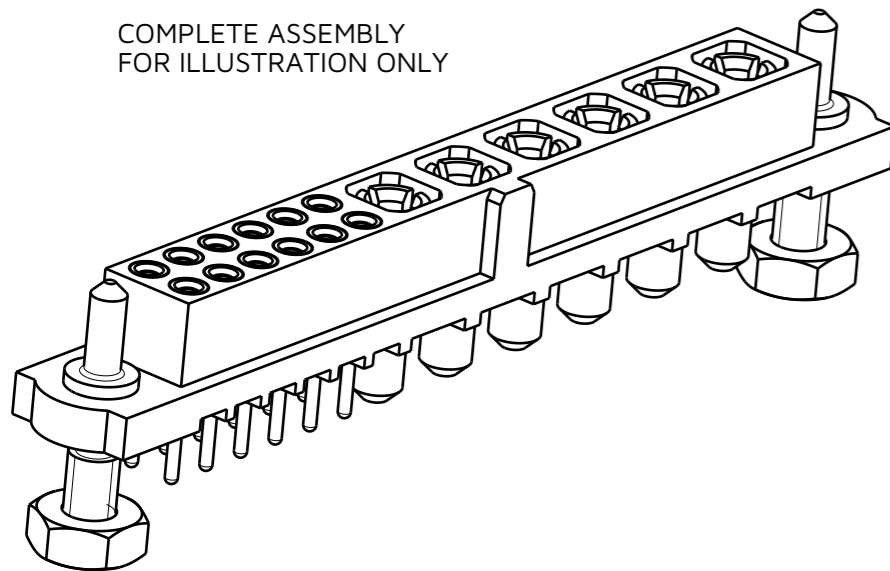


SECTION X-X

RECOMMENED PCB LAYOUT- ALL TOLERANCES  $\pm 0.05$ :



COMPLETE ASSEMBLY FOR ILLUSTRATION ONLY



A.Y	1	01.11.23	33249
NAME	ISS.	DATE	CN/CO
APPROVED: R.PORTLOCK			
CHECKED: F.CHRISPINE			
DRAWN: A.YEOMANS			
ASSEMBLY DRG:			

**HARWIN**

www.harwin.com

**TOLERANCES**  
 X. =  $\pm 1$ mm  
 X.X =  $\pm 0.50$ mm  
 X.XX =  $\pm 0.20$ mm  
 X.XXX =  $\pm 0.01$ mm  
 ANGLES =  $\pm 5^\circ$   
 UNLESS STATED

THIS DRAWING AND ANY INFORMATION OR DESCRIPTIVE MATTER SET OUT HEREON ARE CONFIDENTIAL AND COPYRIGHT PROPERTY OF THE HARWIN GROUP AND MUST NOT BE DISCLOSED, LOANED, COPIED OR USED FOR MANUFACTURING, TENDERING OR FOR ANY OTHER PURPOSE WITHOUT THEIR WRITTEN PERMISSION.

**MATERIAL:**  
 SEE ABOVE

**TITLE:**  
 DATAMATE MIX-TEK VERTICAL PC TAIL FEMALE ASSEMBLY

**DRAWING NUMBER:**  
 M80-4T11205FH-06-PF1-00-000

SHT  
 2 OF 2