

# Customer Information Sheet

IF IN DOUBT - ASK

©

NOT TO SCALE

THIRD ANGLE PROJECTION

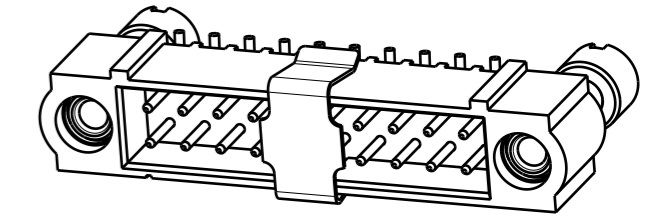
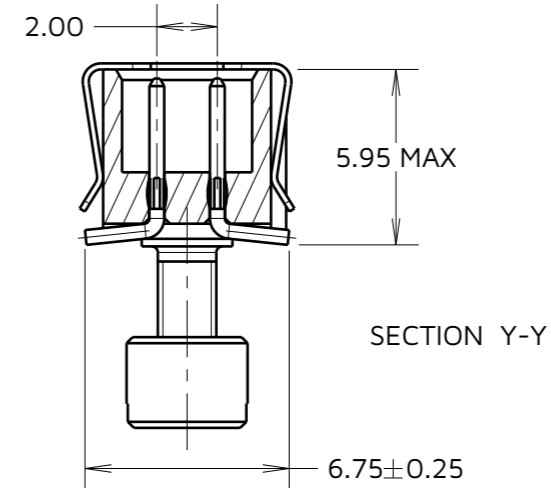
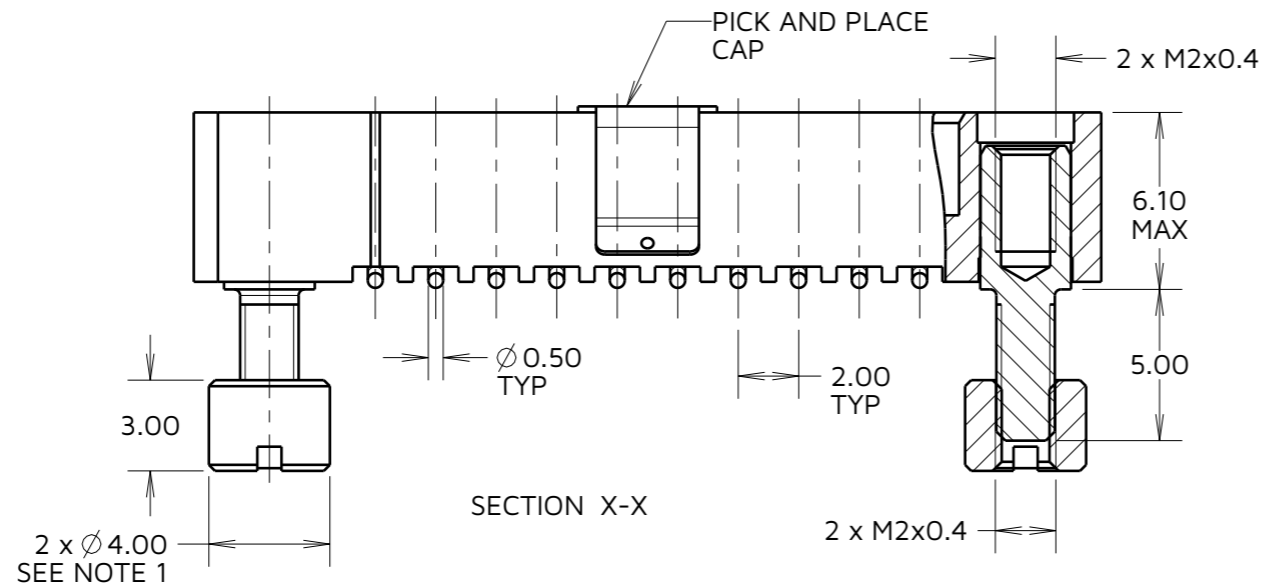
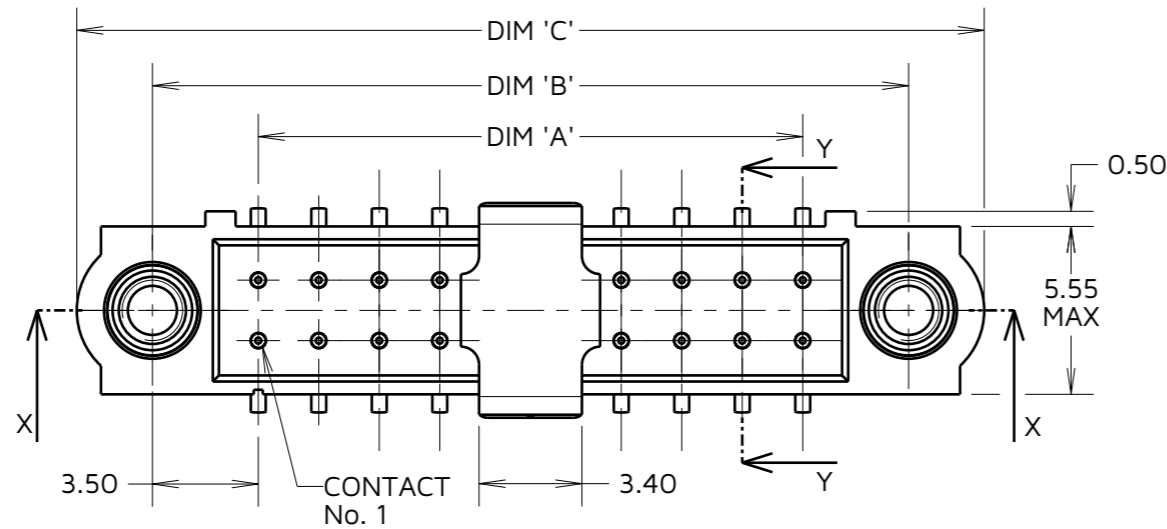
ALL DIMENSIONS IN mm

**SPECIFICATIONS:**  
**MATERIAL:**  
 MOULDING = GLASS-FILLED PPS, UL94V-0, BLACK  
 CONTACT = PHOSPHOR BRONZE  
 JACKSCREW = STAINLESS STEEL  
 PICK & PLACE CAP = PHOSPHOR BRONZE  
**FINISH: (ALL OVER NICKEL)**  
 05 = 0.75µm GOLD  
 22 = 0.75µm GOLD ON CONTACT AREA, 3µm 90/10 TIN/LEAD ON TAILS  
 42 = 0.75µm GOLD ON CONTACT AREA, 3µm 100% TIN ON TAILS  
**PACKING:**  
 TUBE WITH FIXINGS IN ATTACHED BAG FOR COMPLETE SPECIFICATION, SEE COMPONENT SPEC. C005XX (LATEST ISSUE)

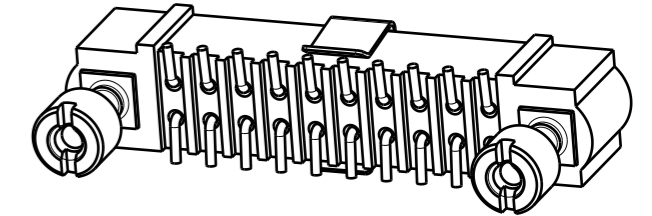
ORDER CODE:  
**M80-513XXXXP**

TOTAL No. OF CONTACTS  
 04 TO 50  
 (EVEN NUMBERS ONLY)

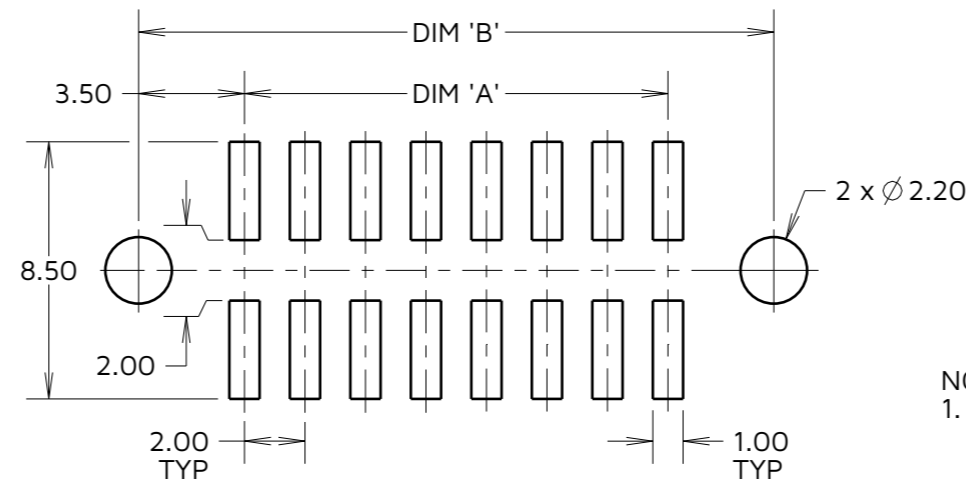
FINISH \_\_\_\_\_  
 05 - GOLD ALL OVER  
 22 - GOLD ON CONTACT AREA / TIN/LEAD ON TAIL  
 42 - GOLD ON CONTACT AREA / 100% TIN ON TAIL



ASSEMBLY SHOWN IS FOR ILLUSTRATION PURPOSES ONLY



RECOMMENDED PCB LAYOUT  
 ALL TOLERANCES ±0.05mm (UNLESS OTHERWISE STATED)



NOTES:  
 1. CONNECTOR IS SUPPLIED WITH BOARD MOUNT NUTS NOT ASSEMBLED AS SHOWN. SUPPLIED LOOSE IN BAG ATTACHED TO PACKING TUBE.

AY	10	18.12.23	33448
NAME	ISS.	DATE	CN/CO
APPROVED: A.YEOMANS			
CHECKED:			
DRAWN: B. M. KENT		ASSEMBLY DRG:	

TABLE 1: DIMENSION CALCULATIONS	
DIMENSION	CALCULATION
DIM 'A'	TOTAL No. OF CONTACTS - 2.00
DIM 'B'	TOTAL No. OF CONTACTS + 5.00
DIM 'C'	TOTAL No. OF CONTACTS + 10.0
EXAMPLE: CONNECTOR WITH 20 CONTACTS, GOLD ON CONTACT AREA AND 100% TIN ON TAIL, M80-5132042P	
DIM 'A' = 18.00mm, DIM 'B' = 25.00mm, DIM 'C' = 30.0mm	

**HARWIN**

www.harwin.com

TOLERANCES  
 X. = ±1mm  
 X.X = ±0.50mm  
 X.XX = ±0.20mm  
 X.XXX = ±0.01mm  
 ANGLES = ±5°  
 UNLESS STATED

THIS DRAWING AND ANY INFORMATION OR DESCRIPTIVE MATTER SET OUT HEREON ARE CONFIDENTIAL AND COPYRIGHT PROPERTY OF THE HARWIN GROUP AND MUST NOT BE DISCLOSED, LOANED, COPIED OR USED FOR MANUFACTURING, TENDERING OR FOR ANY OTHER PURPOSE WITHOUT THEIR WRITTEN PERMISSION.

MATERIAL:  
 SEE ABOVE

TITLE: DATAMATE J-TEK MALE VERTICAL SMT ASSY WITH P/PLACE AND 5mm BOARD MOUNT

DRAWING NUMBER:  
**M80-5132022P**

SHT 2 OF 2