

Customer Information Sheet

IF IN DOUBT - ASK

©

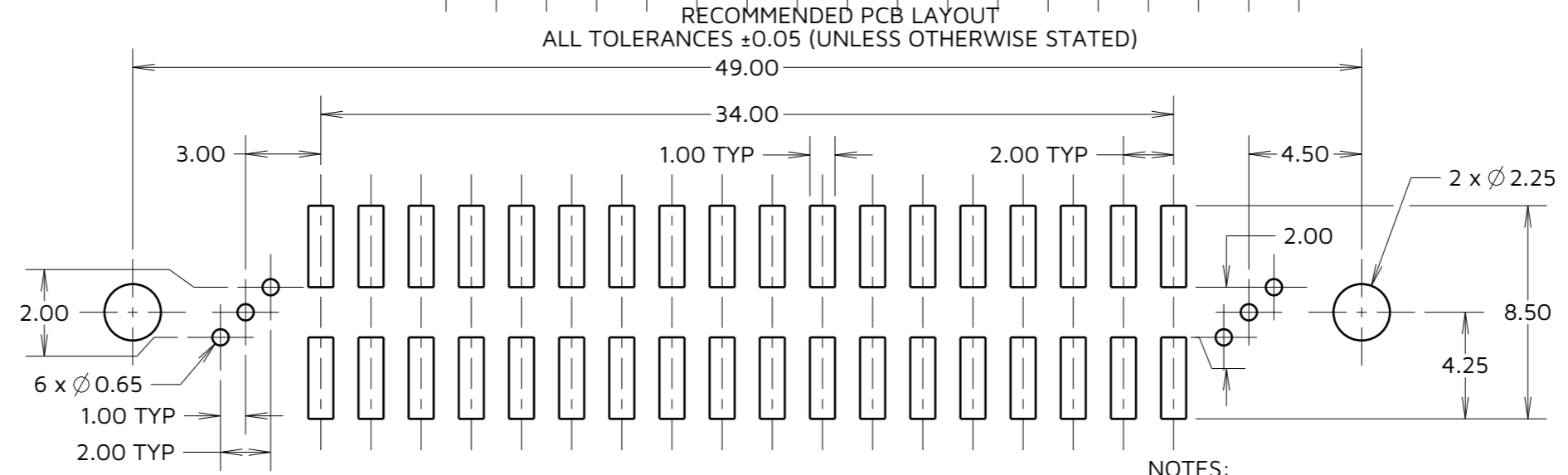
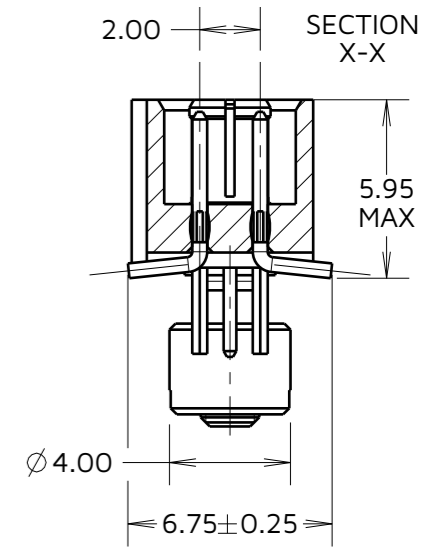
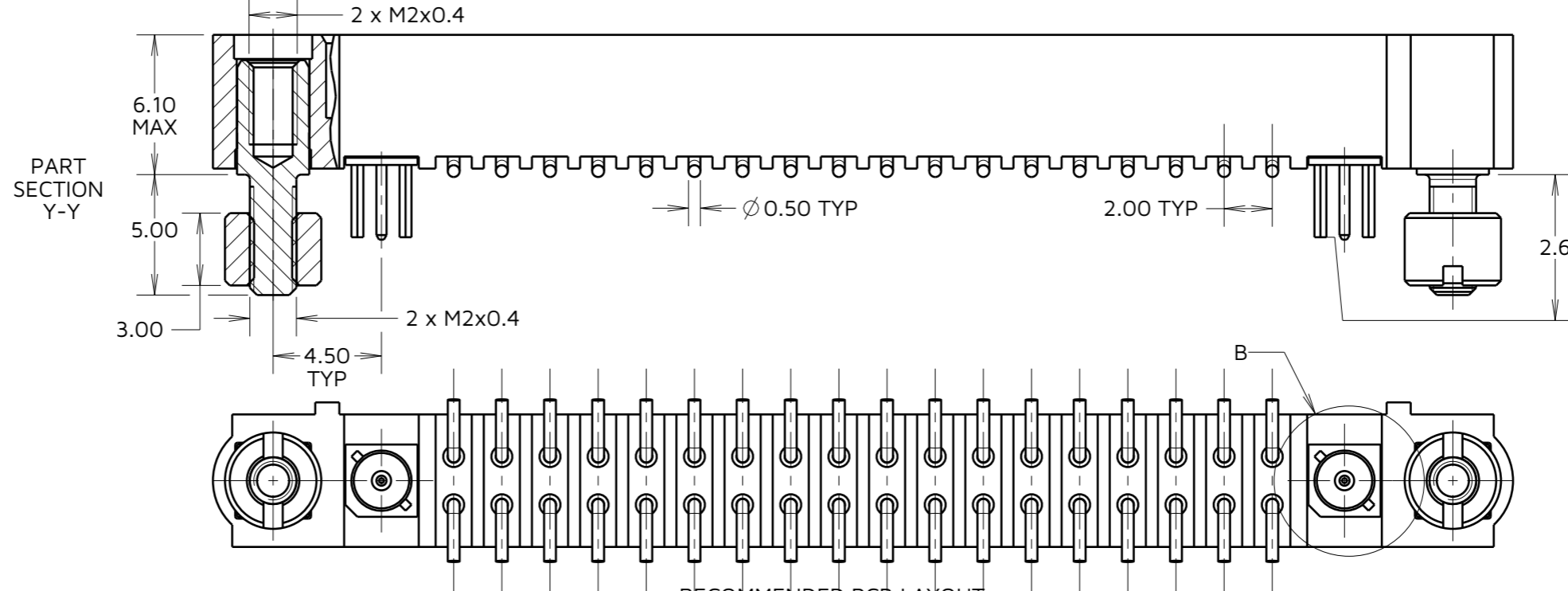
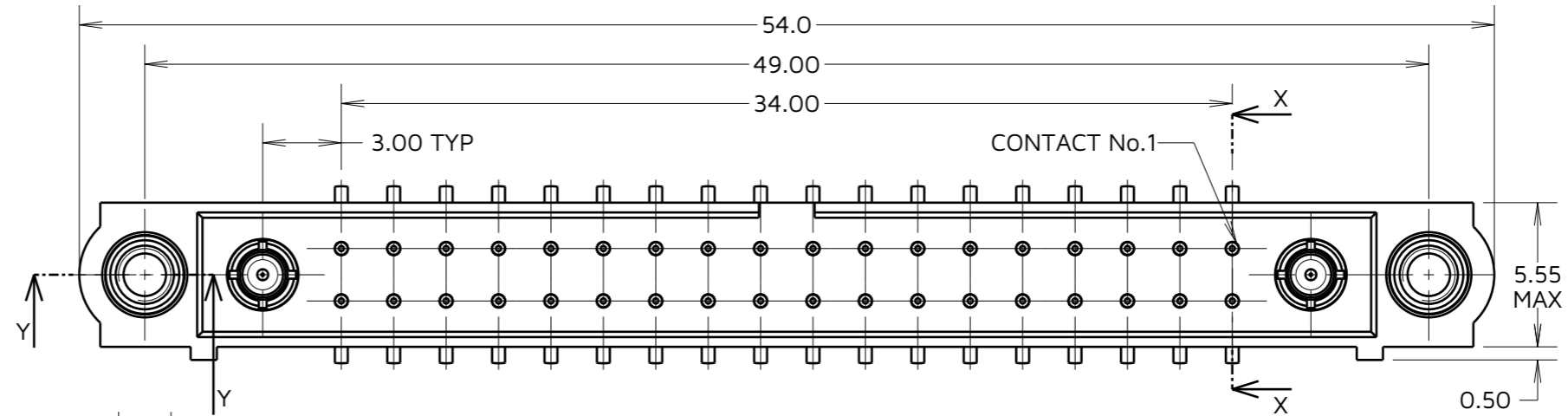
NOT TO SCALE

THIRD ANGLE PROJECTION

ALL DIMENSIONS IN mm

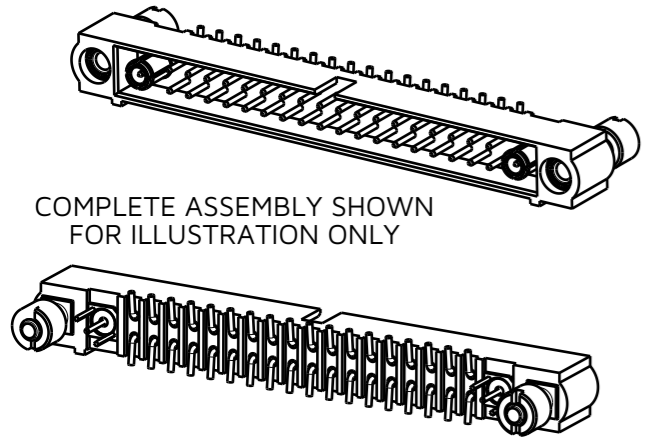
SPECIFICATIONS:

MATERIAL:
 MOULDING = GLASS FILLED PPS, UL94V-0, BLACK
 SIGNAL CONTACT = PHOSPHOR BRONZE
 COAX CONTACT:
 BODY = COPPER ALLOY
 INNER CONTACT = PHOSPHOR BRONZE
 INSULATOR = PTFE
 BOARD-MOUNT JACKSCREW, NUT = STAINLESS STEEL
FINISH:
 SIGNAL CONTACT:
 0.75µm GOLD ON CONTACT AREA,
 3µm TIN/LEAD ON TAILS
 COAX CONTACT: BODY, INNER CONTACT = GOLD
PACKING:
 TUBE
 FOR COMPLETE SPECIFICATION SEE COMPONENT SPECIFICATION C005XX (LATEST ISSUE)

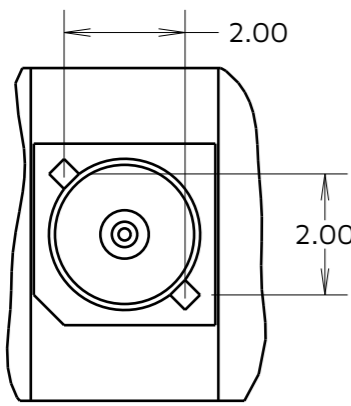


RECOMMENDED PCB LAYOUT
 ALL TOLERANCES ±0.05 (UNLESS OTHERWISE STATED)

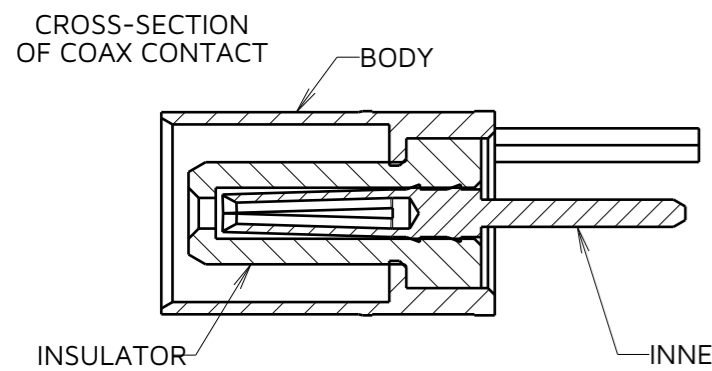
NOTES:
 1. CONNECTORS ARE SUPPLIED WITH NUTS LOOSE.



COMPLETE ASSEMBLY SHOWN FOR ILLUSTRATION ONLY



DETAIL B



CROSS-SECTION OF COAX CONTACT

BODY

INSULATOR

INNER CONTACT

AY	4	18.12.23	33448
NAME	ISS.	DATE	CN/CO
APPROVED: A.YEOMANS			
CHECKED: R.PORTLOCK			
DRAWN: M.G.PLESTED			
ASSEMBLY DRG:			

HARWIN

www.harwin.com

TOLERANCES
 X. = ±1mm
 X.X = ±0.50mm
 X.XX = ±0.20mm
 X.XXX = ±0.01mm
 ANGLES = ±5°
 UNLESS STATED

THIS DRAWING AND ANY INFORMATION OR DESCRIPTIVE MATTER SET OUT HEREON ARE CONFIDENTIAL AND COPYRIGHT PROPERTY OF THE HARWIN GROUP AND MUST NOT BE DISCLOSED, LOANED, COPIED OR USED FOR MANUFACTURING, TENDERING OR FOR ANY OTHER PURPOSE WITHOUT THEIR WRITTEN PERMISSION.

MATERIAL:
 SEE ABOVE

TITLE: MIX-TEK DATAMATE MALE ASSEMBLY WITH BOARD MOUNT

DRAWING NUMBER: M80-5S13622M3-01-311-01-311

SHT 2 OF 2